

VRF

Technical Data Book

DVM S ECO for Europe (R410A, 50Hz, HP)



Model : AM***KXMDGH/EU

History

Version	Modification	Date	Remark
1	Newly Release the TDB	15.12.15	

Nomenclature

Outdoor Units

Model Names

AM	080	K	X	M	D	G	H	/	EU
(1)	(2)	(3)	(4)	(5)	(6)	(7)	(8)		Buyer

(1) Classification

AM	DVM
----	-----

(2) Capacity

x 1/10 HP (3 digits)

(3) Version

F	2013
H	2014
J	2015
K	2016

(4) Product Type

X	NASA
C	NON NASA

(5) Feature 1

V	Inverter
M	DVM S Eco

(6) Feature 2

A	Standard + General Temp.+ MODULE
H	High EER + Low Temp + Module
D	STANDARD+GENERAL Temp.+NON MODULE

(7) Rating Voltage

E	1Ø, 220~240V, 50Hz
G	3Ø, 380~415V, 50Hz
H	3Ø, 380V, 60Hz

(8) Mode

H	Heat Pump
R	Heat Recovery

Outdoor

1 Specifications

2 Operation limit

3 Dimensional drawing

4 Electrical wiring diagram

5 Sound pressure level

6 Sound power level

7 Cycle diagram

1 Specifications

Outdoor

Type			DVM S Eco(NEW)	DVM S Eco(NEW)	DVM S Eco(NEW)	
Model Name			AM100KXMDGH/EU	AM120KXMDGH/EU	AM140KXMDGH/EU	
Power Supply		Ø, #, V, Hz	3,4,380-415,50	3,4,380-415,50	3,4,380-415,50	
Mode			-	HP	HP	
Performance	HP		HP	10.00	12.00	14.00
		Capacity (Nominal)	Cooling	kW	28.00	33.50
	Btu/h			95,500	114,300	136,500
	Heating		kW	31.50	37.50	45.00
		Btu/h	107,500	128,000	153,500	
Power	Power Input (Nominal)	Cooling 1)	kW	7.29	8.77	10.59
		Heating 2)	kW	6.74	7.83	9.88
	Current Input (Nominal)	Cooling 1)	A	11.51	13.74	16.48
		Heating 2)	A	10.58	12.23	15.55
	MCA	A	21.50 (MCA)	23.50 (MCA)	32.00 (MCA)	
MFA	A	30.00	30.00	40.00		
COP	EER (Nominal Cooling)		-	3.84	3.82	3.78
	COP (Nominal Heating)		-	4.67	4.79	4.55
	Energy Grade		-	ESEER 7.09	ESEER 6.94	ESEER 6.83
Compressor	Type		-	SSC Scroll x 1	SSC Scroll x 1	SSC Scroll x 1
	Output		kW x n	(5.18)	(6.39)	(6.76)
	Model Name		-	DS-GB052FAVB x 1	DS-GB066FAVB x 1	DS-GB070FAVA x 1
	Oil	Type	-	PVE	PVE	PVE
Fan	Type		-	Propeller	Propeller	Propeller
	Output x n		W	244 x 2	244 x 2	244 x 2
	Air Flow Rate		CMM	165	166	180
			l/s	2,750.00	2,766.67	3,000.00
	External Static	Max.	mmAQ	-	-	-
Pa			-	-	-	
Piping Connections	Liquid Pipe		Ø, mm	9.52	12.70	12.70
			Ø, inch	3/8"	1/2"	1/2"
	Gas Pipe		Ø, mm	22.22	28.58	28.58
			Ø, inch	7/8"	1 1/8"	1 1/8"
	Discharge Gas Pipe		Ø, mm	-	-	-
			Ø, inch	-	-	-
Installation Limitation	Max. Length	m	160 (185)	160 (185)	160 (185)	
	Max. Height	m	50 (40)	50 (40)	50 (40)	
Field Wiring	Power Source Wire		mm ²	-	-	-
	Transmission Cable		mm ²	0.75 ~ 1.50	0.75 ~ 1.50	0.75 ~ 1.50
Refrigerant	Type		-	R410A	R410A	R410A
	Factory Charging		kg	3.70	4.30	4.80
Sound	Pressure		dBA	58	59	62
	Power			74	76	79
External Dimension	New Weight		kg	145.0	155.0	162.0
	Shipping Weight		kg	158.0	168.0	175.0
	Net Dimensions (WxHxD)		mm	940 x 1,630 x 460	940 x 1,630 x 460	940 x 1,630 x 460
	Shipping Dimensions (WxHxD)		mm	1,020 x 1,820 x 575	1,020 x 1,820 x 575	1,020 x 1,820 x 575
Operating Temp.	Cooling		°C	-5.0 ~ 52.0	-5.0 ~ 52.0	-5.0 ~ 52.0
	Heating		°C	-25.0 ~ 24.0	-25.0 ~ 24.0	-25.0 ~ 24.0

* Specifications may be subject to change without prior notice.

1) Nominal cooling capacities are based on;

- Indoor temperature : 27°C DB, 19°C WB

- Outdoor temperature : 35°C DB, 24°C WB, Equivalent refrigerant piping : 7.5m, Level differences : 0m

2) Nominal heating capacities are based on;

- Indoor temperature : 20°C DB, 15°C WB

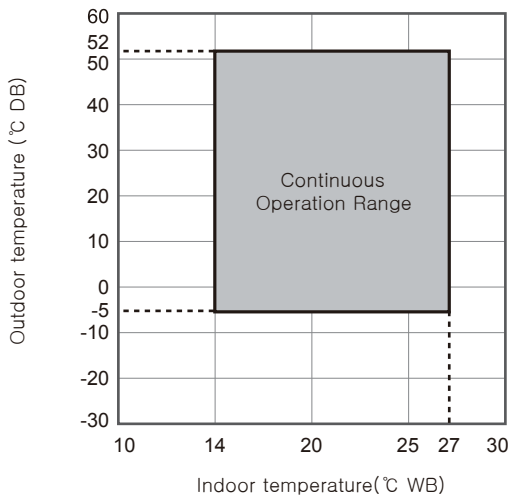
- Outdoor temperature : 7°C DB, 6°C WB, Equivalent refrigerant piping : 7.5m, Level differences : 0m

3) Sound pressure was acquired in an anechoic room. Thus actual noise level may be different depending on the installation conditions.

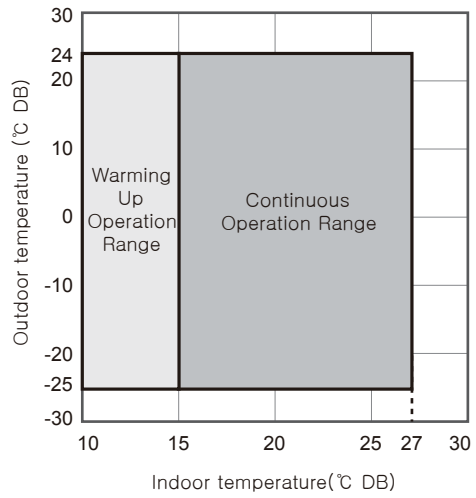
4) These products contain R410A which is fluorinated greenhouse gas.

2 Operation limit

Cooling



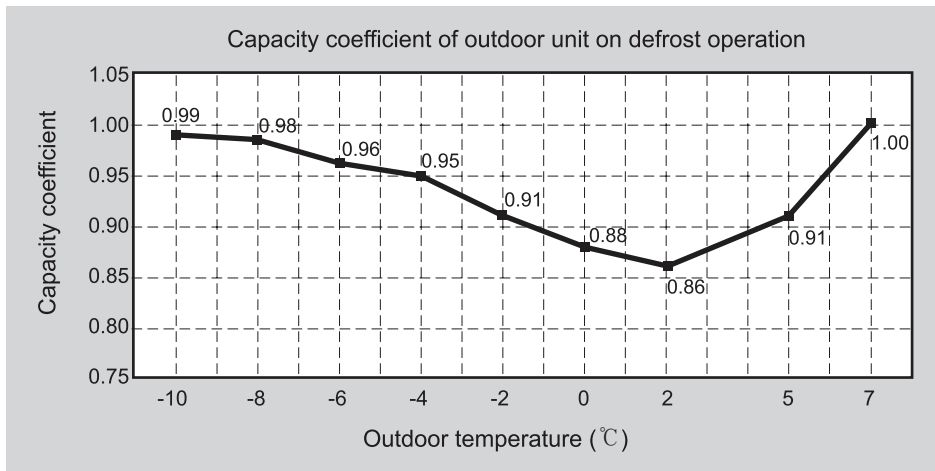
Heating



Defrosting correction factor

Outdoor temperature (°C, DB)	-10	-8	-6	-4	-2	0	2	5	7
Capacity coefficient	0.99	0.98	0.96	0.95	0.91	0.88	0.86	0.91	1.00

Corrected Heating Capacity = Heating Capacity X Capacity Coefficient



On heating operation, frost can be formed on heat exchanger according to outdoor temperature.

(Frost on heat exchanger results in decreasing the performance.)

To remove frost on heat exchanger of outdoor unit, defrost operation is carried out periodically.

During defrost operation, capacity of outdoor unit may decrease.

The decrement is not considered to the individual capacity tables.

3 Dimensional drawing

Outdoor

AM100KXMDGH/EU, AM120KXMDGH/EU, AM140KXMDGH/EU

Units : mm / inches

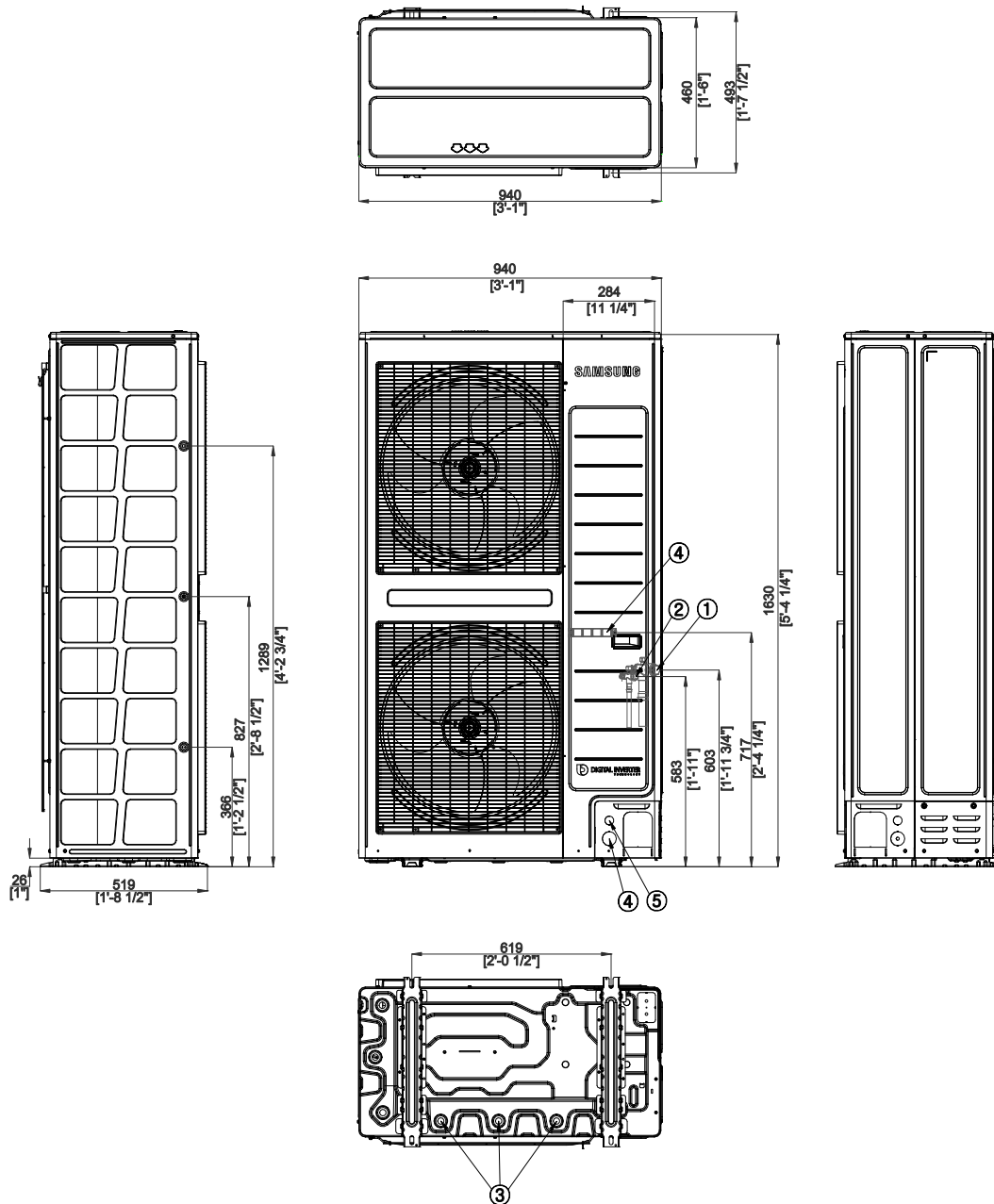


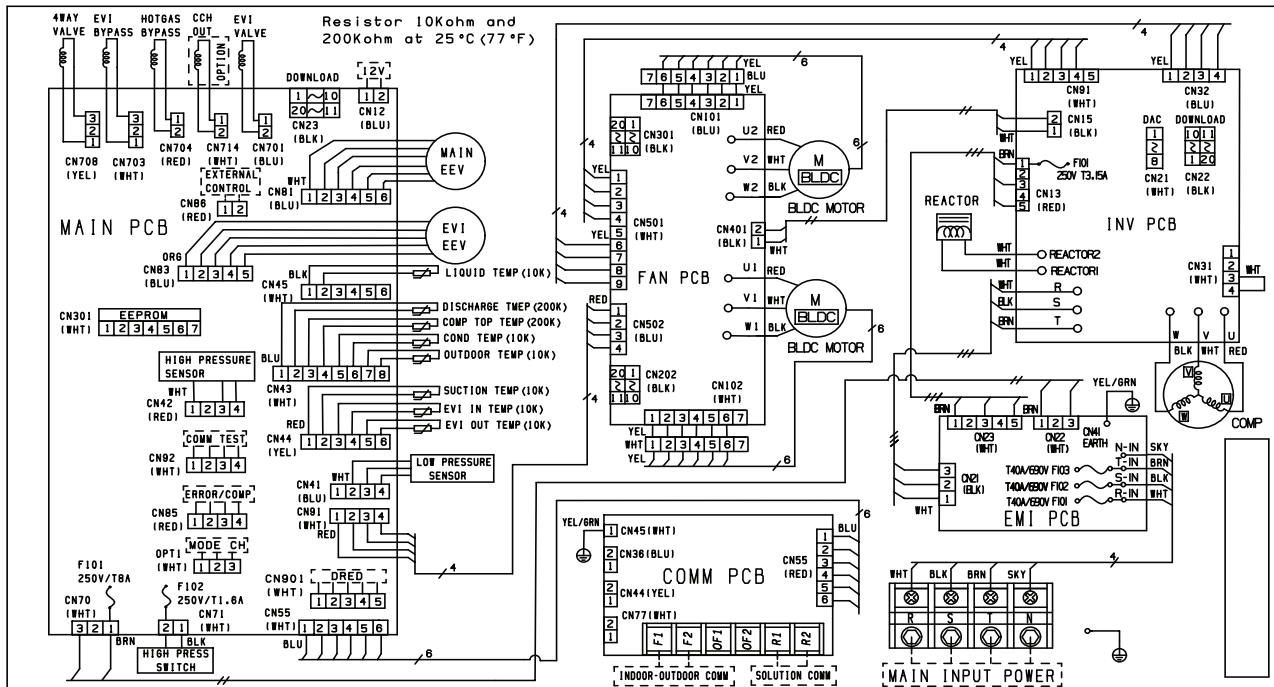
Table of descriptions

1	Refrigerant gas pipe	7	
2	Refrigerant liquid pipe	8	
3	Drain Hole	9	
4	Power wiring conduits	10	
5	Communication wiring conduits	11	
6		12	

4 Electrical wiring diagram

Outdoor

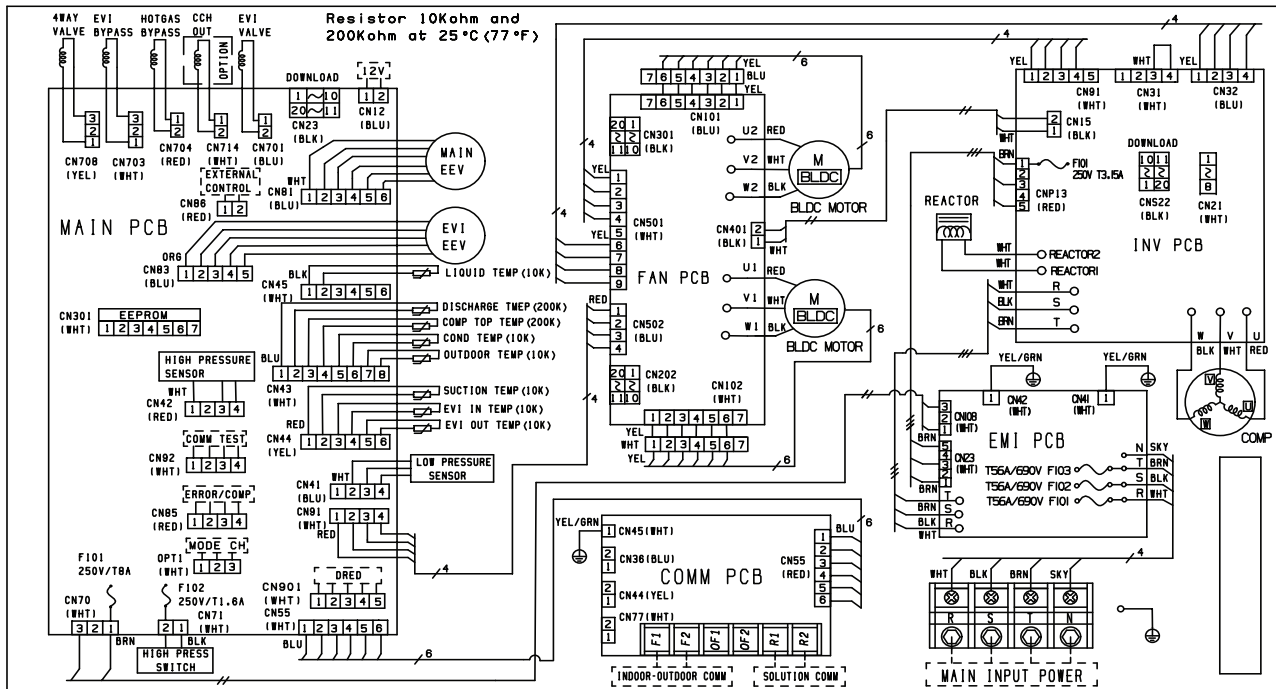
AM100KXMDGH/EU, AM120KXMDGH/EU



4 Electrical wiring diagram

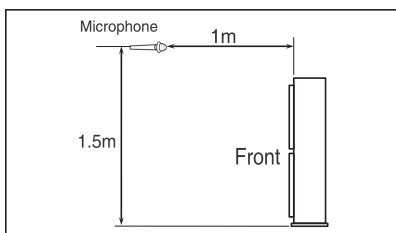
Outdoor

AM140KXMDGH/EU



5 Sound pressure level

Outdoor



Unit: dB(A)

Model	Cooling
AM100KXMDGH/EU	58
AM120KXMDGH/EU	59
AM140KXMDGH/EU	62

Note

* Specifications may be subject to change without prior notice

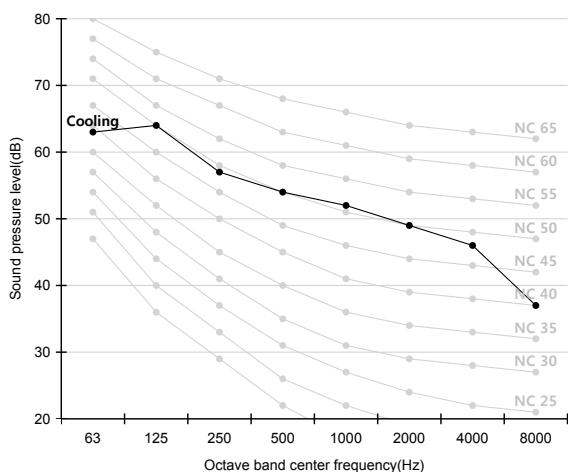
1) These operation values were obtained in an anechoic room.

2) Sound pressure level will vary depending on a range of factors such as the construction of the particular room

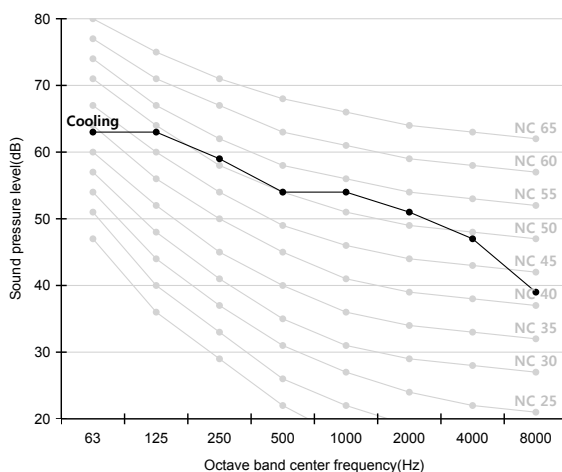
3) Operation sound level may differ depending on operation and ambient conditions.

NC curve

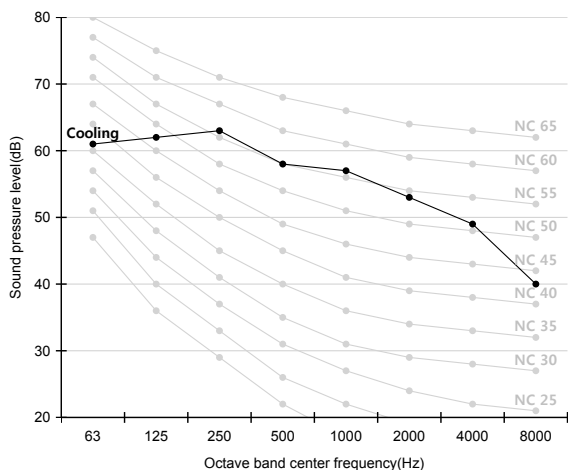
1) AM100KXMDGH/EU



2) AM120KXMDGH/EU



3) AM140KXMDGH/EU



6 Sound power level

Outdoor

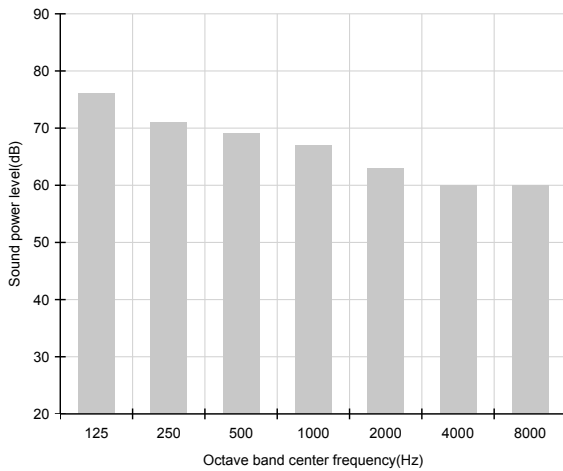
Note

- * Specifications may be subject to change
- 1) dBA = A-weighted sound power level.
- 2) Reference power : 1pW.
- 3) Measured according to ISO 3741.

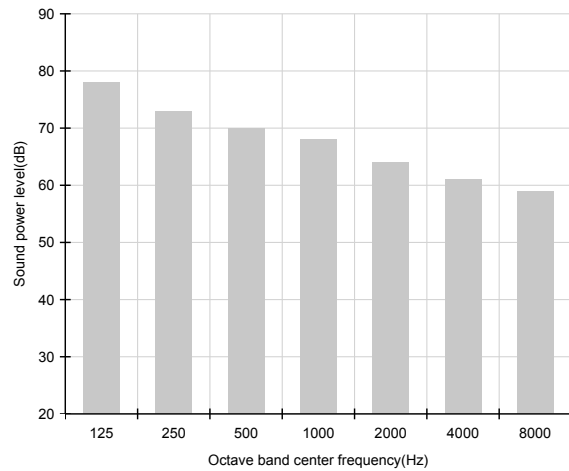
Unit: dB(A)

Model	Power
AM100KXMDGH/EU	74
AM120KXMDGH/EU	76
AM140KXMDGH/EU	79

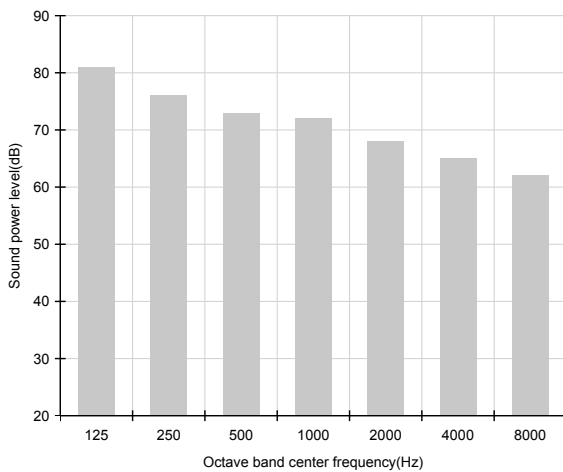
1)AM100KXMDGH/EU



2)AM120KXMDGH/EU



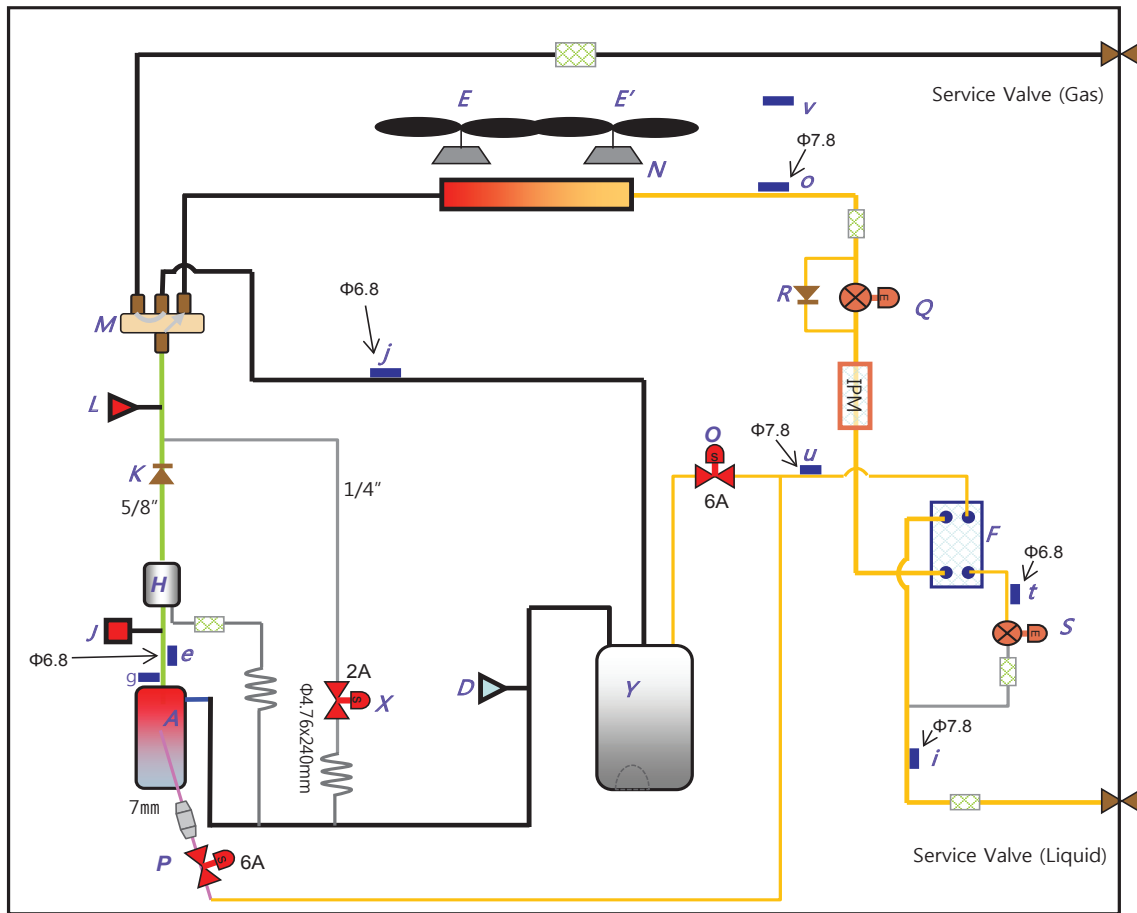
3)AM140KXMDGH/EU



7 Cycle diagram

Outdoor

AM100KXMDGH/EU, AM120KXMDGH/EU, AM140KXMDGH/EU



	Name		Name
A	INV comp	R	EEV bp check v/v
B	-	S	EVI EEV
D	L/P sensor	X	Hot gas bypass
E,E'	OD Fan Motor	Y	Accum
F	Sub-cooler	Z	-
H	O/S	E	Disc. Sensor
J	H/P S/W	G	Comp Top sensor
K	Disc. check v/v	I	Liquid tube sensor
L	H/P Sensor	J	Suction sensor
M	4Way V/V	O	Cond out sensor
N	OD HX	t	SC in sensor
O	EVI bypass V/V	u	SC out sensor
P	EVI V/V	v	Ambient air sensor
Q	Main EEV		

DVM Capacity

1 Capacity table

2 Capacity correction

1 Capacity table

AM100KXMDGH/EU

Cooling

TC : Total Capacity, PI : Power Input

Combination, % (Capacity index)	Outdoor Air Temp.	Indoor temperature													
		20 (°C, DB)		23 (°C, DB)		26 (°C, DB)		27 (°C, DB)		28 (°C, DB)		30 (°C, DB)		32 (°C, DB)	
		14 (°C, WB)		16 (°C, WB)		18 (°C, WB)		19 (°C, WB)		20 (°C, WB)		22 (°C, WB)		24 (°C, WB)	
		TC(kW)	PI(kW)	TC(kW)	PI(kW)	TC(kW)	PI(kW)	TC(kW)	PI(kW)	TC(kW)	PI(kW)	TC(kW)	PI(kW)	TC(kW)	PI(kW)
130	10.0	25.90	3.22	30.90	3.81	36.00	4.37	38.40	4.61	41.10	4.94	44.10	5.23	48.00	5.64
	12.0	25.70	3.29	30.60	3.90	35.70	4.49	38.10	4.73	40.70	5.07	43.80	5.38	47.60	5.82
	14.0	25.40	3.38	30.40	4.00	35.50	4.60	37.80	4.85	40.40	5.20	43.40	5.53	47.20	6.00
	16.0	25.20	3.48	30.10	4.11	35.10	4.76	37.40	5.02	40.00	5.35	43.00	5.71	46.70	6.19
	18.0	24.90	3.57	29.80	4.23	34.70	4.92	37.00	5.17	39.60	5.50	42.60	5.86	46.30	6.38
	20.0	24.60	3.69	29.40	4.39	34.30	5.10	36.60	5.35	39.10	5.69	42.10	6.07	45.70	6.62
	21.0	24.50	3.79	29.20	4.52	34.10	5.24	36.30	5.50	38.90	5.83	41.80	6.23	45.40	6.80
	23.0	24.20	4.03	28.80	4.81	33.70	5.55	35.90	5.82	38.40	6.17	41.30	6.59	44.80	7.20
	25.0	23.80	4.26	28.40	5.07	33.20	5.84	35.30	6.11	37.80	6.48	40.60	6.91	44.10	7.56
	27.0	23.50	4.57	28.00	5.44	32.70	6.25	34.80	6.54	37.30	6.91	40.00	7.38	43.50	8.07
	29.0	23.00	4.88	27.50	5.80	32.10	6.65	34.20	6.94	36.60	7.32	39.30	7.81	42.70	8.53
	31.0	22.70	5.21	27.00	6.18	31.60	7.08	33.60	7.39	36.00	7.77	38.70	8.29	42.00	9.06
	33.0	22.20	5.53	26.50	6.53	30.90	7.47	32.90	7.77	35.20	8.17	37.90	8.70	41.20	9.51
	35.0	21.70	5.83	25.90	6.86	30.30	7.83	32.30	8.15	34.50	8.54	37.10	9.07	40.30	9.91
	37.0	21.30	6.09	25.40	7.16	29.60	8.17	31.60	8.50	33.80	8.89	36.30	9.44	39.50	10.30
39.0	20.80	6.18	24.80	7.41	28.90	8.44	30.80	8.76	33.00	9.16	35.40	9.68	38.50	10.56	
120	10.0	24.30	3.12	28.90	3.69	33.80	4.26	35.90	4.52	38.10	4.77	40.60	5.00	42.40	5.18
	12.0	24.30	3.20	28.90	3.79	33.80	4.39	35.90	4.63	38.10	4.91	40.60	5.18	42.40	5.38
	14.0	24.30	3.30	28.90	3.91	33.80	4.53	35.90	4.76	38.10	5.06	40.60	5.35	42.40	5.57
	16.0	24.30	3.39	28.90	4.02	33.80	4.66	35.90	4.91	38.10	5.21	40.60	5.50	42.40	5.75
	18.0	24.00	3.48	28.60	4.12	33.40	4.79	35.50	5.06	37.60	5.36	40.10	5.66	41.90	5.92
	20.0	23.70	3.60	28.20	4.28	33.00	4.98	35.30	5.27	37.20	5.55	39.60	5.88	41.40	6.15
	21.0	23.50	3.69	28.10	4.40	32.80	5.12	34.90	5.40	37.00	5.69	39.40	6.03	41.20	6.32
	23.0	23.20	3.89	27.70	4.63	32.30	5.39	34.40	5.66	36.40	5.96	38.80	6.32	40.60	6.62
	25.0	22.90	4.16	27.30	4.95	31.80	5.76	33.90	6.04	35.90	6.34	38.30	6.71	40.00	7.04
	27.0	22.50	4.44	26.80	5.28	31.30	6.13	33.30	6.41	35.30	6.71	37.60	7.11	39.30	7.48
	29.0	22.20	4.74	26.50	5.63	30.90	6.53	32.90	6.82	34.80	7.12	37.20	7.55	38.80	7.92
	31.0	21.80	5.06	26.00	6.01	30.40	6.95	32.30	7.23	34.20	7.54	36.50	7.99	38.10	8.39
	33.0	21.40	5.31	25.50	6.30	29.80	7.25	31.70	7.55	33.60	7.87	35.80	8.31	37.40	8.73
	35.0	21.00	5.58	25.00	6.61	29.20	7.60	31.10	7.89	32.90	8.20	35.10	8.64	36.70	9.08
	37.0	20.60	5.73	24.50	6.89	28.60	7.92	30.40	8.23	32.30	8.54	34.40	8.98	35.90	9.42
39.0	20.10	5.97	24.00	7.13	28.00	8.21	29.80	8.51	31.60	8.82	33.70	9.25	35.20	9.70	
110	10.0	21.40	2.86	25.50	3.38	30.00	3.93	31.90	4.17	33.90	4.45	37.70	4.87	39.50	5.06
	12.0	21.40	2.94	25.50	3.47	30.00	4.04	31.90	4.27	33.90	4.56	37.70	5.01	39.50	5.25
	14.0	21.40	3.02	25.50	3.59	30.00	4.18	31.90	4.42	33.90	4.72	37.70	5.19	39.50	5.44
	16.0	21.40	3.12	25.50	3.70	30.00	4.32	31.90	4.55	33.90	4.87	37.70	5.39	39.50	5.65
	18.0	21.40	3.21	25.50	3.82	30.00	4.47	31.90	4.72	33.90	5.04	37.70	5.58	39.50	5.86
	20.0	21.40	3.34	25.50	3.98	30.00	4.67	31.90	4.93	33.90	5.25	37.50	5.79	39.50	6.12
	21.0	21.40	3.42	25.50	4.08	30.00	4.79	31.90	5.06	33.90	5.37	37.30	5.89	39.50	6.27
	23.0	21.40	3.61	25.50	4.32	30.00	5.07	31.90	5.33	33.90	5.66	36.80	6.12	39.20	6.55
	25.0	21.40	3.90	25.50	4.65	30.00	5.47	31.90	5.73	33.90	6.06	36.20	6.46	38.60	6.92
	27.0	21.40	4.25	25.50	5.06	30.00	5.96	31.90	6.23	33.60	6.53	35.60	6.88	38.00	7.38
	29.0	21.40	4.55	25.50	5.41	30.00	6.36	31.90	6.64	33.20	6.85	35.10	7.21	37.50	7.73
	31.0	21.00	4.75	25.10	5.77	29.50	6.78	31.40	7.05	32.60	7.26	34.50	7.61	36.80	8.18
	33.0	20.70	5.00	24.70	6.05	29.00	7.11	30.90	7.37	32.00	7.54	33.90	7.91	36.10	8.48
	35.0	20.30	5.27	24.30	6.38	28.50	7.47	30.30	7.76	31.40	7.89	33.20	8.26	35.40	8.85
	37.0	19.90	5.52	23.80	6.65	28.00	7.79	29.80	8.08	30.80	8.19	32.60	8.57	34.70	9.18
39.0	19.50	5.73	23.30	6.88	27.40	8.06	29.10	8.35	30.10	8.44	31.90	8.82	34.00	9.43	
100	10.0	19.00	2.65	22.60	3.12	26.40	3.60	28.00	3.81	29.80	4.05	33.10	4.47	36.50	4.80
	12.0	19.00	2.72	22.60	3.21	26.40	3.70	28.00	3.91	29.80	4.16	33.10	4.62	36.50	4.99
	14.0	19.00	2.82	22.60	3.34	26.40	3.85	28.00	4.06	29.80	4.32	33.10	4.81	36.50	5.23
	16.0	19.00	2.91	22.60	3.45	26.40	3.98	28.00	4.20	29.80	4.48	33.10	4.99	36.50	5.45
	18.0	19.00	3.01	22.60	3.57	26.40	4.12	28.00	4.35	29.80	4.64	33.10	5.17	36.50	5.67
	20.0	19.00	3.14	22.60	3.72	26.40	4.33	28.00	4.58	29.80	4.88	33.10	5.40	36.50	5.97
	21.0	19.00	3.17	22.60	3.83	26.40	4.46	28.00	4.71	29.80	5.02	33.10	5.55	36.50	6.15
	23.0	19.00	3.41	22.60	4.04	26.40	4.71	28.00	4.97	29.80	5.28	33.10	5.83	36.10	6.39
	25.0	19.00	3.62	22.60	4.30	26.40	5.01	28.00	5.29	29.80	5.60	33.10	6.18	35.60	6.68
	27.0	19.00	3.82	22.60	4.61	26.40	5.38	28.00	5.67	29.80	5.99	33.10	6.59	35.00	7.02
	29.0	19.00	4.07	22.60	4.92	26.40	5.74	28.00	6.04	29.80	6.35	33.10	6.99	34.50	7.34
	31.0	19.00	4.35	22.60	5.25	26.40	6.12	28.00	6.42	29.80	6.73	33.10	7.41	34.00	7.67
	33.0	19.00	4.65	22.60	5.61	26.40	6.54	28.00	6.86	29.80	7.12	32.80	7.77	33.50	8.01
	35.0	19.00	4.96	22.60	5.98	26.40	6.96	28.00	7.29	29.80	7.54	32.10	8.03	32.80	8.28
	37.0	19.00	5.33	22.60	6.41	26.40	7.44	27.70	7.60	29.40	7.96	31.40	8.38	32.00	8.60
39.0	19.00	5.65	22.60	6.80	26.20	7.79	27.40	7.91	28.80	8.22	30.30	8.49	30.90	8.72	
90	10.0	17.30	2.18	20.70	2.62	24.20	3.04	25.50	3.18	27.20	3.40	30.30	3.76	33.40	4.12
	12.0	17.30	2.23	20.70	2.67	24.20	3.09	25.50	3.24	27.20	3.47	30.30	3.84	33.40	4.22
	14.0	17.30	2.28	20.70	2.74	24.20	3.17	25.50	3.32	27.20	3.55	30.30	3.93	33.40	4.33
	16.0	17.30	2.35	20.70	2.77	24.20	3.28	25.50	3.42	27.20	3.65	30.30	4.05	33.40	4.46
	18.0	17.30	2.42	20.70	2.84	24.20	3.37	25.50	3.52	27.20	3.74	30.30	4.16	33.40	4.63
	20.0	17.30	2.51	20.70	2.95	24.20	3.46	25.50	3.65	27.20	3.90	30.30	4.37	33.40	4.85
	21.0	17.30	2.56	20.70	3.01	24.20	3.54	25.50	3.75	27.20	4.01	30.30	4.49	33.40	4.97
	23.0	17.30	2.67	20.70	3.15	24.20	3.78	25.50	3.95	27.20	4.21	30.30	4.73	33.40	5.21
	25.0	17.30	2.82	20.70	3.34	24.20	3.99	25.50	4.18	27.20	4.44	30.30	4.99	33.40	5.50
	27.0	17.30	3.01	20.70	3.56	24.20	4.27	25.50	4.47	27.20	4.75	30.30	5.32	33.40	5.86
	29.0	17.30	3.21	20.70	3.81	24.20	4.56	25.50	4.76	27.20	5.05	30.30	5.66	33.40	6.22
	31.0	17.30	3.43	20.70	4.06	24.20	4.86	25.50	5.06	27.20	5.37	30.30	5.96	33.40	6.58
	33.0	17.30	3.66	20.70	4.33	24.20	5.18	25.50	5.39	27.20	5.70	30.30	6.30	33.40	6.97
	35.0	17.30	3.91	20.70	4.62	24.20	5.52	25.50	5.75	27.20	6.06	30.30	6.67	32.70	7.21
	37.0	17.30	4.20	20.70	4.95	24.20	5.92	25.50	6.12	27.20	6.46	30.30	7.08	31.90	7.48
39.0	17.30	4.51	20.70	5.31	24.20	6.									

1 Capacity table

AM100KXMDGH/EU

Cooling

TC : Total Capacity, PI : Power Input

Combination, % (Capacity index)	Outdoor Air Temp.	Indoor temperature													
		20 (°C, DB)		23 (°C, DB)		26 (°C, DB)		27 (°C, DB)		28 (°C, DB)		30 (°C, DB)		32 (°C, DB)	
		14 (°C, WB)	16 (°C, WB)	18 (°C, WB)	19 (°C, WB)	20 (°C, WB)	22 (°C, WB)	24 (°C, WB)	TC(kW)	PI(kW)	TC(kW)	PI(kW)	TC(kW)	PI(kW)	TC(kW)
80	10.0	15.70	1.92	18.60	2.26	21.70	2.59	22.70	2.70	24.30	2.89	27.10	3.22	30.00	3.50
	12.0	15.70	1.96	18.60	2.29	21.70	2.64	22.70	2.75	24.30	2.94	27.10	3.27	30.00	3.57
	14.0	15.70	1.99	18.60	2.33	21.70	2.67	22.70	2.79	24.30	2.98	27.10	3.32	30.00	3.64
	16.0	15.70	2.05	18.60	2.40	21.70	2.76	22.70	2.87	24.30	3.08	27.10	3.43	30.00	3.76
	18.0	15.70	2.11	18.60	2.46	21.70	2.84	22.70	2.95	24.30	3.15	27.10	3.52	30.00	3.87
	20.0	15.70	2.19	18.60	2.56	21.70	2.96	22.70	3.05	24.30	3.26	27.10	3.66	30.00	4.06
	21.0	15.70	2.23	18.60	2.60	21.70	3.01	22.70	3.11	24.30	3.33	27.10	3.75	30.00	4.16
	23.0	15.70	2.27	18.60	2.70	21.70	3.14	22.70	3.27	24.30	3.49	27.10	3.92	30.00	4.38
	25.0	15.70	2.37	18.60	2.85	21.70	3.30	22.70	3.43	24.30	3.66	27.10	4.11	30.00	4.59
	27.0	15.70	2.53	18.60	3.04	21.70	3.53	22.70	3.66	24.30	3.89	27.10	4.37	30.00	4.89
	29.0	15.70	2.70	18.60	3.25	21.70	3.76	22.70	3.90	24.30	4.15	27.10	4.66	30.00	5.21
	31.0	15.70	2.88	18.60	3.45	21.70	4.01	22.70	4.15	24.30	4.40	27.10	4.93	30.00	5.49
	33.0	15.70	3.07	18.60	3.68	21.70	4.27	22.70	4.41	24.30	4.67	27.10	5.22	30.00	5.79
	35.0	15.70	3.29	18.60	3.93	21.70	4.56	22.70	4.71	24.30	4.98	27.10	5.54	30.00	6.13
	37.0	15.70	3.50	18.60	4.19	21.70	4.86	22.70	5.00	24.30	5.29	27.10	5.86	30.00	6.47
	39.0	15.70	3.80	18.60	4.44	21.70	5.25	22.70	5.40	24.30	5.72	27.10	6.30	30.00	6.96
70	10.0	13.90	1.62	16.50	1.89	19.10	2.15	19.90	2.25	21.40	2.41	23.80	2.66	26.60	2.93
	12.0	13.90	1.67	16.50	1.95	19.10	2.22	19.90	2.29	21.40	2.48	23.80	2.74	26.60	3.02
	14.0	13.90	1.71	16.50	1.98	19.10	2.27	19.90	2.34	21.40	2.53	23.80	2.80	26.60	3.10
	16.0	13.90	1.77	16.50	2.06	19.10	2.35	19.90	2.41	21.40	2.62	23.80	2.91	26.60	3.22
	18.0	13.90	1.83	16.50	2.12	19.10	2.43	19.90	2.48	21.40	2.69	23.80	3.00	26.60	3.33
	20.0	13.90	1.88	16.50	2.20	19.10	2.51	19.90	2.56	21.40	2.78	23.80	3.09	26.60	3.46
	21.0	13.90	1.93	16.50	2.24	19.10	2.56	19.90	2.61	21.40	2.83	23.80	3.16	26.60	3.55
	23.0	13.90	1.96	16.50	2.33	19.10	2.65	19.90	2.73	21.40	2.95	23.80	3.31	26.60	3.71
	25.0	13.90	2.02	16.50	2.41	19.10	2.78	19.90	2.86	21.40	3.07	23.80	3.45	26.60	3.87
	27.0	13.90	2.13	16.50	2.55	19.10	2.94	19.90	3.02	21.40	3.24	23.80	3.64	26.60	4.08
	29.0	13.90	2.24	16.50	2.66	19.10	3.06	19.90	3.20	21.40	3.37	23.80	3.78	26.60	4.25
	31.0	13.90	2.37	16.50	2.82	19.10	3.24	19.90	3.40	21.40	3.56	23.80	4.00	26.60	4.48
	33.0	13.90	2.52	16.50	3.00	19.10	3.46	19.90	3.60	21.40	3.78	23.80	4.24	26.60	4.74
	35.0	13.90	2.70	16.50	3.21	19.10	3.69	19.90	3.84	21.40	4.03	23.80	4.51	26.60	5.04
	37.0	13.90	2.92	16.50	3.47	19.10	3.99	19.90	4.08	21.40	4.35	23.80	4.85	26.60	5.41
	39.0	13.90	3.15	16.50	3.66	19.10	4.29	19.90	4.41	21.40	4.67	23.80	5.21	26.60	5.77
60	10.0	12.10	1.38	14.30	1.60	16.60	1.82	17.10	1.87	18.50	2.02	20.70	2.24	23.20	2.47
	12.0	12.10	1.42	14.30	1.64	16.60	1.86	17.10	1.91	18.50	2.08	20.70	2.30	23.20	2.54
	14.0	12.10	1.44	14.30	1.67	16.60	1.91	17.10	1.95	18.50	2.12	20.70	2.36	23.20	2.61
	16.0	12.10	1.50	14.30	1.74	16.60	1.97	17.10	2.01	18.50	2.18	20.70	2.43	23.20	2.69
	18.0	12.10	1.55	14.30	1.79	16.60	2.03	17.10	2.07	18.50	2.25	20.70	2.51	23.20	2.79
	20.0	12.10	1.60	14.30	1.85	16.60	2.10	17.10	2.13	18.50	2.32	20.70	2.58	23.20	2.88
	21.0	12.10	1.62	14.30	1.88	16.60	2.15	17.10	2.17	18.50	2.36	20.70	2.64	23.20	2.94
	23.0	12.10	1.66	14.30	1.96	16.60	2.23	17.10	2.27	18.50	2.46	20.70	2.76	23.20	3.09
	25.0	12.10	1.72	14.30	1.99	16.60	2.32	17.10	2.37	18.50	2.56	20.70	2.87	23.20	3.23
	27.0	12.10	1.80	14.30	2.13	16.60	2.44	17.10	2.49	18.50	2.68	20.70	3.02	23.20	3.40
	29.0	12.10	1.89	14.30	2.24	16.60	2.57	17.10	2.63	18.50	2.81	20.70	3.16	23.20	3.56
	31.0	12.10	2.00	14.30	2.37	16.60	2.71	17.10	2.79	18.50	2.98	20.70	3.33	23.20	3.76
	33.0	12.10	2.12	14.30	2.51	16.60	2.88	17.10	2.94	18.50	3.14	20.70	3.51	23.20	3.96
	35.0	12.10	2.27	14.30	2.69	16.60	3.08	17.10	3.15	18.50	3.34	20.70	3.74	23.20	4.21
	37.0	12.10	2.44	14.30	2.82	16.60	3.30	17.10	3.34	18.50	3.57	20.70	4.00	23.20	4.50
	39.0	12.10	2.64	14.30	3.04	16.60	3.55	17.10	3.61	18.50	3.85	20.70	4.30	23.20	4.83
50	10.0	10.30	1.13	12.10	1.31	14.00	1.48	14.30	1.50	15.70	1.65	17.50	1.83	19.80	2.02
	12.0	10.30	1.16	12.10	1.34	14.00	1.51	14.30	1.54	15.70	1.69	17.50	1.88	19.80	2.07
	14.0	10.30	1.19	12.10	1.37	14.00	1.55	14.30	1.57	15.70	1.72	17.50	1.92	19.80	2.12
	16.0	10.30	1.22	12.10	1.41	14.00	1.60	14.30	1.61	15.70	1.77	17.50	1.97	19.80	2.19
	18.0	10.30	1.26	12.10	1.46	14.00	1.65	14.30	1.67	15.70	1.82	17.50	2.04	19.80	2.27
	20.0	10.30	1.30	12.10	1.50	14.00	1.70	14.30	1.71	15.70	1.88	17.50	2.10	19.80	2.34
	21.0	10.30	1.33	12.10	1.53	14.00	1.74	14.30	1.75	15.70	1.91	17.50	2.14	19.80	2.39
	23.0	10.30	1.39	12.10	1.60	14.00	1.81	14.30	1.82	15.70	1.99	17.50	2.23	19.80	2.49
	25.0	10.30	1.41	12.10	1.66	14.00	1.88	14.30	1.89	15.70	2.07	17.50	2.33	19.80	2.61
	27.0	10.30	1.47	12.10	1.69	14.00	1.97	14.30	1.98	15.70	2.16	17.50	2.44	19.80	2.73
	29.0	10.30	1.54	12.10	1.82	14.00	2.07	14.30	2.08	15.70	2.27	17.50	2.56	19.80	2.88
	31.0	10.30	1.64	12.10	1.89	14.00	2.21	14.30	2.21	15.70	2.41	17.50	2.70	19.80	3.04
	33.0	10.30	1.73	12.10	2.03	14.00	2.31	14.30	2.32	15.70	2.53	17.50	2.83	19.80	3.19
	35.0	10.30	1.85	12.10	2.13	14.00	2.47	14.30	2.48	15.70	2.69	17.50	3.02	19.80	3.39
	37.0	10.30	1.97	12.10	2.26	14.00	2.63	14.30	2.63	15.70	2.86	17.50	3.20	19.80	3.60
	39.0	10.30	2.13	12.10	2.45	14.00	2.84	14.30	2.84	15.70	3.08	17.50	3.44	19.80	3.87

* Capacity table may be subject to change without prior notice.

1) Capacity table comply with EN14511.

2) Nominal cooling capacities are based on;

- Indoor temperature : 27°C DB, 19°C WB

- Outdoor temperature : 35°C DB, 24°C WB, Equivalent refrigerant piping : 7.5m, Level differences : 0m

3) Nominal heating capacities are based on;

- Indoor temperature : 20°C DB, 15°C WB

- Outdoor temperature : 7°C DB, 6°C WB, Equivalent refrigerant piping : 7.5m, Level differences : 0m

1 Capacity table

AM100KXMDGH/EU

Heating

TC : Total Capacity, PI : Power Input

Combination, % (Capacity index)	Outdoor Air Temp.		Indoor temperature										
			16 (°C, DB)		18 (°C, DB)		20 (°C, DB)		22 (°C, DB)		24 (°C, DB)		
	DB	WB	TC(kW)	PI(kW)	TC(kW)	PI(kW)	TC(kW)	PI(kW)	TC(kW)	PI(kW)	TC(kW)	PI(kW)	
130	15.0	14.0	43.20	6.48	40.70	6.31	38.20	6.24	36.40	6.31	34.90	6.48	
	13.0	12.0	43.10	6.63	40.60	6.47	38.20	6.40	36.40	6.48	34.90	6.65	
	11.0	10.0	43.10	6.82	40.70	6.65	38.20	6.58	36.40	6.66	34.90	6.83	
	9.0	8.0	43.20	7.16	40.70	6.98	38.20	6.90	36.40	6.99	34.90	7.17	
	7.0	6.0	43.20	7.59	40.70	7.40	38.20	7.31	36.40	7.40	34.90	7.60	
	5.0	4.0	42.50	7.79	40.50	7.64	38.10	7.61	36.50	7.76	34.90	7.93	
	3.0	2.0	42.00	7.94	40.00	7.85	38.00	7.90	36.50	8.07	34.90	8.25	
	0.0	-1.0	41.30	8.30	39.30	8.38	38.20	8.61	36.50	8.73	35.00	8.96	
	-3.0	-4.0	40.60	9.16	38.70	9.22	37.30	9.45	36.30	10.02	34.60	10.28	
	-5.0	-6.0	40.10	9.86	38.10	9.77	36.40	9.85	35.60	10.70	34.10	11.29	
	-7.0	-8.0	39.20	10.10	37.20	10.10	35.20	10.07	34.60	11.04	33.30	11.47	
	-10.0	-11.0	37.70	10.18	36.10	10.18	34.10	10.15	33.30	10.83	32.30	11.32	
	-12.0	-13.0	36.70	10.33	35.20	10.24	33.30	10.21	32.50	11.09	31.50	11.39	
	-15.0	-16.0	35.30	10.09	33.90	10.02	32.50	10.12	31.90	11.01	30.80	11.38	
	-17.0	-18.0	33.80	9.91	32.90	9.98	31.70	10.13	30.90	11.05	29.70	11.48	
	-20.0	-21.0	32.00	9.69	31.40	9.84	30.80	10.17	30.10	10.99	28.80	11.37	
	-22.0	-23.0	30.00	9.47	29.30	9.60	28.60	9.92	27.90	10.72	26.70	11.12	
	-25.0	-26.0	27.00	9.12	26.20	9.22	25.50	9.49	24.90	10.26	23.80	10.70	
	120	15.0	14.0	40.90	6.36	38.40	6.18	35.90	6.08	34.20	6.16	32.70	6.30
		13.0	12.0	41.00	6.56	38.40	6.36	35.90	6.26	34.20	6.34	32.70	6.49
11.0		10.0	40.80	6.76	38.40	6.57	35.90	6.48	34.20	6.56	32.70	6.71	
9.0		8.0	40.90	7.10	38.40	6.89	35.90	6.80	34.20	6.88	32.70	7.04	
7.0		6.0	40.90	7.50	38.40	7.28	35.90	7.18	34.20	7.27	32.70	7.44	
5.0		4.0	40.90	7.77	38.40	7.55	35.90	7.45	34.40	7.57	32.70	7.72	
3.0		2.0	40.10	7.98	38.00	7.81	35.80	7.77	34.40	7.92	32.70	8.07	
0.0		-1.0	39.30	8.39	37.60	8.32	36.00	8.39	34.30	8.48	32.80	8.68	
-3.0		-4.0	38.40	8.95	36.80	9.04	35.90	9.30	34.30	9.45	32.80	9.66	
-5.0		-6.0	37.20	9.56	35.90	9.64	35.00	9.90	34.00	10.52	32.80	10.76	
-7.0		-8.0	36.10	9.95	35.00	9.99	34.00	10.21	33.20	10.59	32.30	11.40	
-10.0		-11.0	35.20	10.27	34.10	10.28	33.30	10.47	32.50	10.85	31.90	11.38	
-12.0		-13.0	34.10	10.28	33.30	10.30	32.50	10.53	31.80	10.71	30.60	11.35	
-15.0		-16.0	33.30	10.12	32.40	10.27	31.80	10.56	30.80	10.74	29.20	11.01	
-17.0		-18.0	32.60	10.02	31.70	10.25	30.80	10.65	29.70	10.79	28.30	11.12	
-20.0		-21.0	31.50	9.79	30.70	10.05	29.90	10.50	28.90	10.70	27.50	10.98	
-22.0		-23.0	29.60	9.59	28.70	9.82	27.80	10.26	26.90	10.45	25.60	10.75	
-25.0		-26.0	26.80	9.25	25.80	9.45	24.80	9.84	24.10	10.04	22.90	10.38	
110		15.0	14.0	39.30	6.25	36.80	6.06	34.40	5.96	32.70	6.02	31.20	6.15
		13.0	12.0	39.30	6.45	36.90	6.25	34.40	6.15	32.70	6.21	31.20	6.34
	11.0	10.0	39.30	6.70	36.90	6.49	34.40	6.39	32.70	6.45	31.20	6.59	
	9.0	8.0	39.30	7.03	36.90	6.81	34.40	6.70	32.70	6.77	31.20	6.91	
	7.0	6.0	39.30	7.41	36.90	7.18	34.40	7.06	32.70	7.13	31.20	7.28	
	5.0	4.0	39.20	7.63	36.70	7.39	34.30	7.27	32.80	7.40	31.20	7.52	
	3.0	2.0	38.80	7.91	36.50	7.71	34.30	7.63	32.90	7.77	31.20	7.89	
	0.0	-1.0	38.00	8.04	36.20	8.04	34.50	8.19	32.70	8.27	31.20	8.44	
	-3.0	-4.0	37.10	8.49	35.50	8.62	34.30	8.91	32.70	9.03	31.20	9.22	
	-5.0	-6.0	36.20	9.01	34.80	9.18	33.70	9.52	32.70	10.02	31.20	10.22	
	-7.0	-8.0	34.90	9.37	34.00	9.58	33.10	9.97	32.20	10.97	30.60	10.92	
	-10.0	-11.0	33.70	9.81	33.00	10.15	32.30	10.75	30.90	10.73	29.80	10.96	
	-12.0	-13.0	32.90	9.93	32.10	10.22	31.40	10.74	29.90	10.89	28.60	10.90	
	-15.0	-16.0	31.70	9.91	31.10	10.25	30.50	10.73	28.70	10.42	27.90	10.72	
	-17.0	-18.0	30.70	9.83	30.10	10.22	29.60	10.77	28.00	10.50	27.00	10.74	
	-20.0	-21.0	29.80	9.87	29.30	10.15	28.60	10.64	27.00	10.36	26.20	10.66	
	-22.0	-23.0	27.80	9.62	27.30	9.88	26.50	10.33	25.00	10.07	24.30	10.39	
	-25.0	-26.0	25.00	9.21	24.30	9.43	23.40	9.83	22.10	9.59	21.50	9.94	
	100	15.0	14.0	36.40	5.99	34.00	5.77	31.50	5.65	29.90	5.70	28.40	5.79
		13.0	12.0	36.40	6.20	34.00	5.98	31.50	5.85	29.90	5.90	28.40	6.00
11.0		10.0	36.40	6.49	34.00	6.26	31.50	6.12	29.90	6.17	28.40	6.27	
9.0		8.0	36.40	6.80	34.00	6.56	31.50	6.41	29.90	6.47	28.40	6.58	
7.0		6.0	36.40	7.15	34.00	6.89	31.50	6.74	29.90	6.80	28.40	6.91	
5.0		4.0	36.40	7.33	34.00	7.07	31.50	6.92	29.90	6.98	28.40	7.09	
3.0		2.0	36.40	7.74	34.00	7.46	31.50	7.30	29.90	7.37	28.40	7.48	
0.0		-1.0	36.10	8.13	33.80	7.87	31.50	7.72	29.90	7.80	28.40	7.92	
-3.0		-4.0	35.30	8.42	33.40	8.24	31.50	8.20	29.90	8.28	28.40	8.41	
-5.0		-6.0	34.10	8.85	32.90	8.87	31.50	9.04	29.90	9.13	28.40	9.27	
-7.0		-8.0	32.90	9.07	32.10	9.25	31.10	9.63	29.50	10.02	28.00	10.18	
-10.0		-11.0	31.60	9.23	31.00	9.74	30.50	10.46	28.60	10.20	26.90	10.37	
-12.0		-13.0	30.70	9.62	30.20	10.09	29.80	10.79	28.00	10.48	26.10	10.54	
-15.0		-16.0	30.10	9.82	29.90	10.28	29.30	10.97	27.40	10.60	25.50	10.55	
-17.0		-18.0	29.60	9.94	29.10	10.30	28.60	10.89	26.70	10.63	24.90	10.58	
-20.0		-21.0	28.70	10.24	28.00	10.42	27.30	10.81	25.70	10.64	23.90	10.58	
-22.0		-23.0	26.70	10.00	25.90	10.16	25.10	10.52	23.60	10.36	22.00	10.34	
-25.0		-26.0	23.60	9.59	22.80	9.72	21.90	10.03	20.60	9.89	19.20	9.93	

* Capacity table may be subject to change without prior notice.

1) Capacity table comply with EN14511.

2) Nominal cooling capacities are based on;

- Indoor temperature : 27°C DB, 19°C WB

- Outdoor temperature : 35°C DB, 24°C WB, Equivalent refrigerant piping : 7.5m, Level differences : 0m

3) Nominal heating capacities are based on;

- Indoor temperature : 20°C DB, 15°C WB

- Outdoor temperature : 7°C DB, 6°C WB, Equivalent refrigerant piping : 7.5m, Level differences : 0m

1 Capacity table

AM100KXMDGH/EU

Heating

TC : Total Capacity, PI : Power Input

Combination, % (Capacity index)	Outdoor Air Temp.		Indoor temperature									
			16 (°C, DB)		18 (°C, DB)		20 (°C, DB)		22 (°C, DB)		24 (°C, DB)	
	DB	WB	TC(kW)	PI(kW)	TC(kW)	PI(kW)	TC(kW)	PI(kW)	TC(kW)	PI(kW)	TC(kW)	PI(kW)
90	15.0	14.0	32.80	5.47	30.60	5.28	28.40	5.16	26.90	5.21	25.60	5.29
	13.0	12.0	32.80	5.66	30.60	5.46	28.40	5.34	26.90	5.39	25.60	5.47
	11.0	10.0	32.80	5.87	30.60	5.67	28.40	5.54	26.90	5.59	25.60	5.68
	9.0	8.0	32.80	6.16	30.60	5.94	28.40	5.81	26.90	5.87	25.60	5.96
	7.0	6.0	32.80	6.47	30.60	6.24	28.40	6.11	26.90	6.16	25.60	6.26
	5.0	4.0	32.80	6.73	30.60	6.49	28.40	6.35	26.90	6.41	25.60	6.51
	3.0	2.0	32.80	7.04	30.60	6.79	28.40	6.64	26.90	6.71	25.60	6.81
	0.0	-1.0	32.80	7.51	30.60	7.25	28.40	7.09	26.90	7.15	25.60	7.27
	-3.0	-4.0	32.80	8.00	30.60	7.72	28.40	7.55	26.90	7.62	25.60	7.74
	-5.0	-6.0	31.90	8.17	29.90	8.10	28.40	8.17	26.90	8.24	25.60	8.38
	-7.0	-8.0	30.90	8.29	29.30	8.44	28.30	8.77	26.90	8.85	25.50	8.99
	-10.0	-11.0	29.40	8.39	28.60	8.83	27.40	9.43	26.70	8.88	25.40	9.03
	-12.0	-13.0	28.70	8.59	27.90	9.08	26.90	9.73	26.00	9.10	24.70	9.25
	-15.0	-16.0	28.10	8.88	27.20	9.31	26.20	9.90	25.30	8.98	24.00	9.13
	-17.0	-18.0	27.50	9.11	26.70	9.54	25.80	10.16	24.60	9.09	23.30	9.24
	-20.0	-21.0	26.50	9.36	25.90	9.75	25.30	10.34	23.70	9.36	22.60	9.29
	-22.0	-23.0	24.50	9.09	23.90	9.45	23.20	10.01	21.70	9.06	20.70	9.02
-25.0	-26.0	21.60	8.65	20.90	8.96	20.10	9.45	18.90	8.57	18.00	8.57	
80	15.0	14.0	29.10	4.96	27.20	4.78	25.20	4.68	23.90	4.72	22.70	4.80
	13.0	12.0	29.10	5.12	27.20	4.94	25.20	4.83	23.90	4.87	22.70	4.95
	11.0	10.0	29.10	5.26	27.20	5.08	25.20	4.96	23.90	5.01	22.70	5.09
	9.0	8.0	29.10	5.52	27.20	5.33	25.20	5.21	23.90	5.26	22.70	5.34
	7.0	6.0	29.10	5.80	27.20	5.59	25.20	5.47	23.90	5.52	22.70	5.61
	5.0	4.0	29.10	6.13	27.20	5.92	25.20	5.78	23.90	5.84	22.70	5.93
	3.0	2.0	29.10	6.35	27.20	6.13	25.20	5.99	23.90	6.05	22.70	6.14
	0.0	-1.0	29.10	6.84	27.20	6.60	25.20	6.45	23.90	6.51	22.70	6.62
	-3.0	-4.0	29.10	7.11	27.20	6.93	25.20	6.89	23.90	6.96	22.70	7.07
	-5.0	-6.0	28.90	7.23	26.70	7.19	25.20	7.29	23.90	7.36	22.70	7.48
	-7.0	-8.0	28.20	7.27	26.30	7.39	25.10	7.63	23.90	7.70	22.70	7.82
	-10.0	-11.0	27.20	7.48	25.70	7.60	24.70	7.84	23.50	7.92	22.30	8.04
	-12.0	-13.0	26.30	7.58	25.00	7.77	24.10	8.10	23.10	8.18	22.20	8.31
	-15.0	-16.0	25.40	7.94	24.50	8.05	23.50	8.33	22.50	8.22	21.60	8.35
	-17.0	-18.0	24.70	8.11	23.90	8.25	23.00	8.56	22.10	8.49	21.00	8.62
	-20.0	-21.0	23.80	8.27	23.00	8.45	22.30	8.79	21.20	8.40	20.20	8.54
	-22.0	-23.0	22.00	8.04	21.20	8.19	20.40	8.51	19.50	8.14	18.50	8.29
-25.0	-26.0	19.40	7.65	18.60	7.77	17.70	8.04	16.90	7.70	16.00	7.87	
70	15.0	14.0	25.50	4.35	23.80	4.19	22.10	4.10	20.90	4.14	19.90	4.20
	13.0	12.0	25.50	4.47	23.80	4.31	22.10	4.22	20.90	4.26	19.90	4.33
	11.0	10.0	25.50	4.59	23.80	4.43	22.10	4.33	20.90	4.37	19.90	4.44
	9.0	8.0	25.50	4.79	23.80	4.62	22.10	4.51	20.90	4.56	19.90	4.63
	7.0	6.0	25.50	5.01	23.80	4.83	22.10	4.72	20.90	4.77	19.90	4.85
	5.0	4.0	25.50	5.28	23.80	5.09	22.10	4.98	20.90	5.03	19.90	5.11
	3.0	2.0	25.50	5.48	23.80	5.29	22.10	5.17	20.90	5.22	19.90	5.30
	0.0	-1.0	25.50	5.88	23.80	5.67	22.10	5.55	20.90	5.60	19.90	5.69
	-3.0	-4.0	25.50	6.27	23.80	6.05	22.10	5.92	20.90	5.97	19.90	6.07
	-5.0	-6.0	25.00	6.52	23.70	6.36	22.10	6.29	20.90	6.35	19.90	6.45
	-7.0	-8.0	24.60	6.65	23.50	6.59	22.00	6.63	20.90	6.69	19.80	6.80
	-10.0	-11.0	24.10	6.77	23.10	6.84	21.90	6.99	20.80	7.05	19.80	7.17
	-12.0	-13.0	23.70	7.02	22.90	7.10	21.80	7.26	21.00	7.64	19.90	7.58
	-15.0	-16.0	23.40	7.23	22.60	7.41	21.70	7.73	21.00	7.80	20.00	7.93
	-17.0	-18.0	23.10	7.54	22.30	7.72	21.60	8.06	20.50	8.14	19.50	8.27
	-20.0	-21.0	22.40	7.66	21.70	7.84	20.90	8.18	20.00	8.26	18.80	8.39
	-22.0	-23.0	20.70	7.10	20.00	7.58	19.10	7.89	18.30	7.93	17.10	8.04
-25.0	-26.0	18.20	7.02	17.50	7.14	16.60	7.41	15.70	7.38	14.50	7.45	
60	15.0	14.0	21.80	3.73	20.40	3.60	18.90	3.52	18.00	3.56	17.10	3.61
	13.0	12.0	21.80	3.83	20.40	3.69	18.90	3.61	18.00	3.64	17.10	3.70
	11.0	10.0	21.80	3.92	20.40	3.79	18.90	3.70	18.00	3.74	17.10	3.80
	9.0	8.0	21.80	4.05	20.40	3.91	18.90	3.82	18.00	3.86	17.10	3.92
	7.0	6.0	21.80	4.23	20.40	4.08	18.90	3.99	18.00	4.02	17.10	4.09
	5.0	4.0	21.80	4.44	20.40	4.28	18.90	4.19	18.00	4.23	17.10	4.29
	3.0	2.0	21.80	4.62	20.40	4.45	18.90	4.35	18.00	4.39	17.10	4.46
	0.0	-1.0	21.80	4.93	20.40	4.76	18.90	4.65	18.00	4.69	17.10	4.77
	-3.0	-4.0	21.80	5.25	20.40	5.07	18.90	4.96	18.00	5.00	17.10	5.08
	-5.0	-6.0	21.80	5.60	20.30	5.41	18.90	5.30	18.00	5.35	17.10	5.43
	-7.0	-8.0	21.40	5.83	20.20	5.69	18.80	5.64	17.90	5.69	17.00	5.79
	-10.0	-11.0	20.90	6.02	20.10	5.96	18.80	6.00	17.80	6.06	17.00	6.15
	-12.0	-13.0	20.50	6.37	19.90	6.39	18.90	6.53	18.00	6.59	17.10	6.70
	-15.0	-16.0	20.30	6.87	19.80	6.99	19.10	7.24	18.10	7.31	17.20	7.43
	-17.0	-18.0	20.00	7.20	19.60	7.37	19.10	7.69	18.10	7.76	17.20	7.89
	-20.0	-21.0	19.80	7.39	19.40	7.57	18.90	7.90	18.10	7.97	17.40	8.10
	-22.0	-23.0	18.10	7.08	17.70	7.23	17.10	7.52	16.30	7.55	15.50	7.65
-25.0	-26.0	15.70	6.56	15.10	6.67	14.40	6.90	13.60	6.86	12.90	6.91	

* Capacity table may be subject to change without prior notice.

1) Capacity table comply with EN14511.

2) Nominal cooling capacities are based on;

- Indoor temperature : 27°C DB, 19°C WB

- Outdoor temperature : 35°C DB, 24°C WB, Equivalent refrigerant piping : 7.5m, Level differences : 0m

3) Nominal heating capacities are based on;

- Indoor temperature : 20°C DB, 15°C WB

- Outdoor temperature : 7°C DB, 6°C WB, Equivalent refrigerant piping : 7.5m, Level differences : 0m

1 Capacity table

AM100KXMDGH/EU

Heating

TC : Total Capacity, PI : Power Input

Combination, % (Capacity index)	Outdoor Air Temp.		Indoor temperature									
			16 (°C, DB)		18 (°C, DB)		20 (°C, DB)		22 (°C, DB)		24 (°C, DB)	
	DB	WB	TC(kW)	PI(kW)	TC(kW)	PI(kW)	TC(kW)	PI(kW)	TC(kW)	PI(kW)	TC(kW)	PI(kW)
50	15.0	14.0	18.20	3.12	17.00	3.01	15.80	2.95	15.00	3.01	14.20	3.10
	13.0	12.0	18.20	3.17	17.00	3.06	15.80	3.00	15.00	3.06	14.20	3.14
	11.0	10.0	18.20	3.24	17.00	3.13	15.80	3.06	15.00	3.13	14.20	3.22
	9.0	8.0	18.20	3.28	17.00	3.17	15.80	3.10	15.00	3.17	14.20	3.26
	7.0	6.0	18.20	3.40	17.00	3.28	15.80	3.21	15.00	3.27	14.20	3.37
	5.0	4.0	18.20	3.54	17.00	3.42	15.80	3.35	15.00	3.41	14.20	3.51
	3.0	2.0	18.20	3.70	17.00	3.57	15.80	3.49	15.00	3.56	14.20	3.67
	0.0	-1.0	18.20	3.91	17.00	3.78	15.80	3.70	15.00	3.77	14.20	3.88
	-3.0	-4.0	18.20	4.16	17.00	4.02	15.80	3.93	15.00	4.01	14.20	4.13
	-5.0	-6.0	18.20	4.50	17.00	4.34	15.80	4.25	15.00	4.34	14.20	4.46
	-7.0	-8.0	18.10	4.89	16.90	4.72	15.70	4.63	14.90	4.72	14.20	4.85
	-10.0	-11.0	18.10	5.20	16.90	5.02	15.70	4.91	14.90	5.01	14.10	5.16
	-12.0	-13.0	18.20	5.60	17.00	5.41	15.80	5.29	15.00	5.40	14.20	5.56
	-15.0	-16.0	18.30	6.07	17.10	5.86	15.90	5.74	15.10	5.85	14.40	6.02
	-17.0	-18.0	18.50	6.63	17.30	6.40	16.10	6.26	15.30	6.39	14.50	6.57
	-20.0	-21.0	18.70	7.27	17.50	7.02	16.20	6.87	15.40	7.01	14.60	7.21
	-22.0	-23.0	16.80	6.82	15.50	6.56	14.30	6.39	13.50	6.48	12.80	6.64
	-25.0	-26.0	13.90	6.09	12.80	5.81	11.60	5.61	10.80	5.62	10.00	5.70

* Capacity table may be subject to change without prior notice.

1) Capacity table comply with EN14511.

2) Nominal cooling capacities are based on;

- Indoor temperature : 27°C DB, 19°C WB

- Outdoor temperature : 35°C DB, 24°C WB, Equivalent refrigerant piping : 7.5m, Level differences : 0m

3) Nominal heating capacities are based on;

- Indoor temperature : 20°C DB, 15°C WB

- Outdoor temperature : 7°C DB, 6°C WB, Equivalent refrigerant piping : 7.5m, Level differences : 0m

1 Capacity table

AM120KXMDGH/EU

Cooling

TC : Total Capacity, PI : Power Input

Combination, % (Capacity index)	Outdoor Air Temp.	Indoor temperature													
		20 (°C, DB)		23 (°C, DB)		26 (°C, DB)		27 (°C, DB)		28 (°C, DB)		30 (°C, DB)		32 (°C, DB)	
		14 (°C, WB)	16 (°C, WB)	18 (°C, WB)	19 (°C, WB)	20 (°C, WB)	22 (°C, WB)	24 (°C, WB)	TC(kW)	PI(kW)	TC(kW)	PI(kW)	TC(kW)	PI(kW)	TC(kW)
130	10.0	30.10	4.06	36.10	4.81	42.00	5.52	44.70	5.80	47.80	6.20	51.40	6.59	55.90	6.73
	12.0	29.80	4.15	35.70	4.93	41.60	5.67	44.30	5.95	47.40	6.35	50.90	6.78	55.30	6.94
	14.0	29.50	4.28	35.30	5.09	41.10	5.85	43.70	6.15	46.80	6.55	50.30	7.00	54.70	7.16
	16.0	29.30	4.40	35.00	5.23	40.80	6.07	43.50	6.38	46.50	6.78	50.00	7.23	54.30	7.41
	18.0	28.90	4.64	34.60	5.54	40.30	6.43	42.90	6.76	45.90	7.16	49.40	7.63	53.60	7.63
	20.0	28.50	4.87	34.10	5.83	39.70	6.78	42.30	7.10	45.20	7.52	48.60	8.02	52.80	7.90
	21.0	28.10	5.05	33.60	6.19	39.10	7.19	41.70	7.52	44.60	7.95	47.90	8.48	52.10	8.10
	23.0	27.60	5.38	33.00	6.59	38.40	7.61	40.90	7.97	43.80	8.41	47.00	8.97	51.10	8.56
	25.0	27.10	5.75	32.40	7.04	37.80	8.10	40.20	8.46	43.00	8.93	46.30	9.50	50.30	8.99
	27.0	26.60	6.09	31.80	7.45	37.00	8.54	39.40	8.91	42.20	9.37	45.30	9.98	49.30	9.56
	29.0	26.00	6.41	31.10	7.84	36.20	8.95	38.60	9.33	41.30	9.80	44.40	10.41	48.20	10.09
	31.0	25.50	6.76	30.50	8.07	35.50	9.29	37.80	9.76	40.40	10.25	43.40	10.86	47.20	10.68
	33.0	25.10	7.07	30.00	8.41	35.00	9.65	37.20	10.13	39.80	10.61	42.80	11.22	46.10	11.20
	35.0	24.60	7.43	29.40	8.77	34.30	10.06	36.50	10.54	39.10	11.00	42.00	11.60	44.30	11.59
	37.0	23.90	7.76	28.60	9.15	33.30	10.38	35.50	10.78	38.00	11.23	40.80	11.79	43.10	12.00
39.0	23.20	8.05	28.00	9.52	32.30	10.75	34.40	11.14	36.80	11.61	39.60	12.13	41.80	12.26	
120	10.0	29.00	3.74	34.70	4.44	40.40	5.12	43.00	5.44	45.60	5.73	48.60	6.01	50.70	6.22
	12.0	29.00	3.84	34.70	4.57	40.40	5.28	43.00	5.56	45.60	5.90	48.60	6.22	50.70	6.46
	14.0	28.70	4.08	34.30	4.85	39.90	5.62	42.50	5.91	45.10	6.25	48.10	6.62	50.10	6.67
	16.0	28.30	4.21	33.90	5.01	39.40	5.80	42.20	6.13	44.50	6.48	47.40	6.85	49.60	6.87
	18.0	28.20	4.34	33.70	5.17	39.20	6.01	41.70	6.35	44.20	6.71	47.10	7.09	49.20	7.10
	20.0	27.80	4.53	33.20	5.42	38.70	6.31	41.10	6.68	43.60	7.03	46.50	7.43	48.50	7.37
	21.0	27.40	4.68	32.70	5.74	38.10	6.68	40.50	7.05	43.00	7.40	45.80	7.83	47.80	7.55
	23.0	26.90	4.99	32.20	6.11	37.50	7.11	39.90	7.48	42.20	7.84	45.00	8.31	47.00	7.91
	25.0	26.60	5.33	31.80	6.52	37.00	7.59	39.30	7.95	41.70	8.31	44.40	8.79	46.40	8.41
	27.0	26.10	5.68	31.20	6.95	36.30	8.07	38.70	8.43	40.90	8.79	43.70	9.31	45.60	8.90
	29.0	25.60	5.97	30.60	7.29	35.60	8.44	37.90	8.80	40.20	9.18	42.80	9.69	44.70	9.42
	31.0	25.10	6.27	30.00	7.65	34.90	8.84	37.20	9.18	39.40	9.57	42.00	10.08	43.80	9.96
	33.0	24.60	6.60	29.40	8.05	34.20	9.25	36.40	9.62	38.60	10.00	41.10	10.51	43.00	10.35
	35.0	24.10	6.90	28.80	8.41	33.50	9.62	35.70	9.99	37.80	10.36	40.30	10.87	42.10	10.76
	37.0	23.50	7.20	28.20	8.54	32.70	9.95	34.80	10.33	36.90	10.69	39.40	11.18	40.90	11.12
39.0	23.10	7.60	27.60	8.94	32.00	10.24	34.00	10.61	35.80	11.06	38.20	11.52	39.90	11.41	
110	10.0	25.60	3.42	30.60	4.05	35.90	4.71	38.10	5.00	40.50	5.34	45.10	5.83	47.30	6.06
	12.0	25.60	3.51	30.60	4.17	35.90	4.85	38.10	5.12	40.50	5.48	45.10	6.02	47.30	6.29
	14.0	25.60	3.61	30.60	4.31	35.90	5.01	38.10	5.30	40.50	5.66	45.10	6.23	47.30	6.54
	16.0	25.60	3.73	30.60	4.44	35.90	5.18	38.10	5.47	40.50	5.86	45.10	6.47	47.30	6.78
	18.0	25.60	3.85	30.60	4.59	35.90	5.38	38.10	5.68	40.50	6.06	45.10	6.72	47.30	7.04
	20.0	25.60	3.99	30.60	4.78	35.90	5.61	38.10	5.93	40.50	6.33	44.80	6.97	47.30	7.37
	21.0	25.60	4.24	30.60	5.09	35.90	5.98	38.10	6.32	40.50	6.71	44.40	7.28	47.00	7.53
	23.0	25.60	4.47	30.60	5.48	35.90	6.45	38.10	6.78	40.50	7.20	43.60	7.68	46.20	7.85
	25.0	25.60	4.87	30.60	5.96	35.90	7.02	38.10	7.35	40.20	7.74	42.90	8.17	45.40	8.29
	27.0	25.60	5.22	30.60	6.37	35.90	7.51	38.10	7.85	39.70	8.12	42.00	8.54	44.80	8.84
	29.0	25.20	5.56	30.10	6.79	35.30	7.99	37.50	8.33	39.00	8.59	41.30	9.02	44.10	9.25
	31.0	24.70	5.84	29.60	7.12	34.70	8.39	36.90	8.72	38.30	8.93	40.60	9.37	43.20	9.77
	33.0	24.30	6.16	29.10	7.50	34.10	8.83	36.30	9.15	37.50	9.33	39.80	9.78	42.40	10.12
	35.0	23.80	6.49	28.60	7.90	33.50	9.25	35.60	9.61	36.80	9.74	39.00	10.19	41.50	10.56
	37.0	23.40	6.72	28.00	8.07	32.80	9.55	34.80	9.90	36.00	10.04	38.20	10.47	40.70	10.93
39.0	23.00	7.03	27.50	8.31	32.10	9.93	34.10	10.27	35.00	10.35	37.20	10.77	39.70	11.20	
100	10.0	22.70	3.16	27.20	3.75	31.60	4.31	33.50	4.57	35.60	4.86	39.60	5.36	43.70	5.73
	12.0	22.70	3.25	27.20	3.86	31.60	4.44	33.50	4.68	35.60	4.99	39.60	5.54	43.70	5.98
	14.0	22.70	3.36	27.20	4.01	31.60	4.61	33.50	4.86	35.60	5.18	39.60	5.77	43.70	6.26
	16.0	22.70	3.48	27.20	4.14	31.60	4.78	33.50	5.04	35.60	5.37	39.60	5.99	43.70	6.54
	18.0	22.70	3.59	27.20	4.28	31.60	4.94	33.50	5.22	35.60	5.57	39.60	6.21	43.70	6.82
	20.0	22.70	3.75	27.20	4.47	31.60	5.19	33.50	5.50	35.60	5.86	39.60	6.50	43.70	7.17
	21.0	22.70	3.91	27.20	4.75	31.60	5.54	33.50	5.85	35.60	6.23	39.60	6.90	43.20	7.36
	23.0	22.70	4.15	27.20	5.07	31.60	5.91	33.50	6.24	35.60	6.63	39.60	7.32	42.60	7.65
	25.0	22.70	4.45	27.20	5.43	31.60	6.34	33.50	6.69	35.60	7.09	39.60	7.80	41.90	8.00
	27.0	22.70	4.76	27.20	5.79	31.60	6.76	33.50	7.12	35.60	7.53	39.60	8.28	41.30	8.40
	29.0	22.70	5.08	27.20	6.18	31.60	7.21	33.50	7.59	35.60	7.99	39.60	8.77	40.70	8.78
	31.0	22.70	5.43	27.20	6.61	31.60	7.70	33.50	8.10	35.60	8.47	39.20	9.20	40.10	9.16
	33.0	22.70	5.79	27.20	7.03	31.60	8.20	33.50	8.49	35.60	8.93	38.40	9.51	39.30	9.56
	35.0	22.70	6.25	27.20	7.58	31.60	8.83	33.50	8.77	35.20	9.46	37.60	9.95	38.30	9.88
	37.0	22.70	6.62	27.20	7.95	31.30	9.25	32.80	9.26	34.50	9.76	36.20	10.09	36.90	10.20
39.0	22.70	7.10	27.20	8.43	31.20	9.69	32.20	9.73	33.50	10.00	34.80	10.21	35.50	10.32	
90	10.0	20.70	2.79	24.80	3.29	29.00	3.80	30.50	3.99	32.50	4.26	36.20	4.72	40.00	5.17
	12.0	20.70	2.84	24.80	3.35	29.00	3.88	30.50	4.08	32.50	4.35	36.20	4.82	40.00	5.29
	14.0	20.70	2.92	24.80	3.44	29.00	3.98	30.50	4.17	32.50	4.46	36.20	4.93	40.00	5.43
	16.0	20.70	3.00	24.80	3.54	29.00	4.11	30.50	4.29	32.50	4.58	36.20	5.08	40.00	5.60
	18.0	20.70	3.08	24.80	3.64	29.00	4.21	30.50	4.42	32.50	4.70	36.20	5.22	40.00	5.81
	20.0	20.70	3.20	24.80	3.78	29.00	4.38	30.50	4.58	32.50	4.89	36.20	5.49	40.00	6.08
	21.0	20.70	3.26	24.80	3.92	29.00	4.56	30.50	4.78	32.50	5.10	36.20	5.74	40.00	6.25
	23.0	20.70	3.41	24.80	4.07	29.00	4.83	30.50	5.07	32.50	5.39	36.20	6.07	40.00	6.58
	25.0	20.70	3.60	24.80	4.37	29.00	5.13	30.50	5.37	32.50	5.72	36.20	6.42	40.00	6.94
	27.0	20.70	3.85	24.80	4.66	29.00	5.47	30.50	5.73	32.50	6.08	36.20	6.82	40.00	7.39
	29.0	20.70	4.10	24.80	4.93	29.00	5.85	30.50	6.11	32.50	6.48	36.20	7.26	40.00	7.85
	31.0	20.70	4.38	24.80	5.26	29.00	6.23	30.50	6.50	32.50	6.88	36.20	7.66	40.00	8.31
	33.0	20.70	4.68	24.80	5.60	29.00	6.64	30.50	6.86	32.50	7.31	36.20	8.06	39.10	8.61
	35.0	20.70	5.02	24.80	5.95	29.00	7.11	30.50	7.21	32.50	7.80	36.20	8.59	38.10	8.90

1 Capacity table

AM120KXMDGH/EU

Cooling

TC : Total Capacity, PI : Power Input

Combination, % (Capacity index)	Outdoor Air Temp.	Indoor temperature													
		20 (°C, DB)		23 (°C, DB)		26 (°C, DB)		27 (°C, DB)		28 (°C, DB)		30 (°C, DB)		32 (°C, DB)	
		14 (°C, WB)	16 (°C, WB)	18 (°C, WB)	19 (°C, WB)	20 (°C, WB)	22 (°C, WB)	24 (°C, WB)	TC(kW)	PI(kW)	TC(kW)	PI(kW)	TC(kW)	PI(kW)	TC(kW)
80	10.0	18.70	2.43	22.30	2.84	25.90	3.26	27.10	3.40	29.00	3.64	32.40	4.06	35.80	4.42
	12.0	18.70	2.46	22.30	2.89	25.90	3.32	27.10	3.46	29.00	3.70	32.40	4.12	35.80	4.50
	14.0	18.70	2.50	22.30	2.94	25.90	3.37	27.10	3.51	29.00	3.76	32.40	4.18	35.80	4.58
	16.0	18.70	2.58	22.30	3.03	25.90	3.48	27.10	3.62	29.00	3.87	32.40	4.32	35.80	4.74
	18.0	18.70	2.65	22.30	3.11	25.90	3.57	27.10	3.71	29.00	3.97	32.40	4.43	35.80	4.88
	20.0	18.70	2.75	22.30	3.22	25.90	3.71	27.10	3.85	29.00	4.11	32.40	4.61	35.80	5.12
	21.0	18.70	2.79	22.30	3.29	25.90	3.78	27.10	3.91	29.00	4.19	32.40	4.72	35.80	5.25
	23.0	18.70	2.91	22.30	3.41	25.90	3.95	27.10	4.11	29.00	4.39	32.40	4.94	35.80	5.53
	25.0	18.70	3.03	22.30	3.59	25.90	4.16	27.10	4.32	29.00	4.61	32.40	5.18	35.80	5.80
	27.0	18.70	3.23	22.30	3.82	25.90	4.44	27.10	4.61	29.00	4.91	32.40	5.51	35.80	6.17
	29.0	18.70	3.46	22.30	4.09	25.90	4.74	27.10	4.91	29.00	5.23	32.40	5.87	35.80	6.58
	31.0	18.70	3.68	22.30	4.35	25.90	5.04	27.10	5.23	29.00	5.55	32.40	6.22	35.80	6.93
	33.0	18.70	3.92	22.30	4.63	25.90	5.37	27.10	5.56	29.00	5.90	32.40	6.57	35.80	7.30
	35.0	18.70	4.15	22.30	4.95	25.90	5.74	27.10	5.93	29.00	6.28	32.40	6.99	35.80	7.73
	37.0	18.70	4.39	22.30	5.27	25.90	6.10	27.10	6.30	29.00	6.67	32.40	7.39	35.80	8.17
	39.0	18.70	4.75	22.30	5.70	25.90	6.60	27.10	6.80	29.00	7.21	32.40	7.94	35.80	8.77
70	10.0	16.70	2.04	19.80	2.38	22.80	2.70	23.80	2.83	25.60	3.03	28.50	3.35	31.90	3.69
	12.0	16.70	2.09	19.80	2.44	22.80	2.78	23.80	2.88	25.60	3.11	28.50	3.45	31.90	3.81
	14.0	16.70	2.14	19.80	2.49	22.80	2.84	23.80	2.94	25.60	3.17	28.50	3.53	31.90	3.89
	16.0	16.70	2.22	19.80	2.58	22.80	2.95	23.80	3.02	25.60	3.28	28.50	3.65	31.90	4.05
	18.0	16.70	2.28	19.80	2.67	22.80	3.04	23.80	3.11	25.60	3.38	28.50	3.76	31.90	4.18
	20.0	16.70	2.36	19.80	2.76	22.80	3.14	23.80	3.21	25.60	3.48	28.50	3.88	31.90	4.34
	21.0	16.70	2.41	19.80	2.80	22.80	3.21	23.80	3.27	25.60	3.54	28.50	3.96	31.90	4.45
	23.0	16.70	2.50	19.80	2.91	22.80	3.32	23.80	3.42	25.60	3.70	28.50	4.16	31.90	4.66
	25.0	16.70	2.55	19.80	3.02	22.80	3.47	23.80	3.59	25.60	3.86	28.50	4.34	31.90	4.86
	27.0	16.70	2.69	19.80	3.19	22.80	3.67	23.80	3.79	25.60	4.07	28.50	4.57	31.90	5.13
	29.0	16.70	2.85	19.80	3.33	22.80	3.84	23.80	4.02	25.60	4.24	28.50	4.76	31.90	5.35
	31.0	16.70	3.02	19.80	3.54	22.80	4.07	23.80	4.27	25.60	4.48	28.50	5.03	31.90	5.64
	33.0	16.70	3.22	19.80	3.76	22.80	4.32	23.80	4.51	25.60	4.75	28.50	5.33	31.90	5.97
	35.0	16.70	3.40	19.80	4.02	22.80	4.62	23.80	4.82	25.60	5.07	28.50	5.68	31.90	6.34
	37.0	16.70	3.65	19.80	4.34	22.80	5.00	23.80	5.12	25.60	5.47	28.50	6.11	31.90	6.81
	39.0	16.70	3.93	19.80	4.68	22.80	5.37	23.80	5.53	25.60	5.86	28.50	6.55	31.90	7.27
60	10.0	14.50	1.72	17.20	2.00	19.80	2.27	20.40	2.34	22.20	2.54	24.70	2.81	27.80	3.09
	12.0	14.50	1.77	17.20	2.05	19.80	2.33	20.40	2.39	22.20	2.59	24.70	2.88	27.80	3.18
	14.0	14.50	1.81	17.20	2.10	19.80	2.39	20.40	2.44	22.20	2.65	24.70	2.95	27.80	3.26
	16.0	14.50	1.86	17.20	2.18	19.80	2.46	20.40	2.51	22.20	2.73	24.70	3.04	27.80	3.38
	18.0	14.50	1.93	17.20	2.24	19.80	2.54	20.40	2.58	22.20	2.81	24.70	3.13	27.80	3.49
	20.0	14.50	1.99	17.20	2.31	19.80	2.63	20.40	2.66	22.20	2.90	24.70	3.23	27.80	3.61
	21.0	14.50	2.03	17.20	2.36	19.80	2.67	20.40	2.71	22.20	2.95	24.70	3.29	27.80	3.67
	23.0	14.50	2.08	17.20	2.44	19.80	2.77	20.40	2.82	22.20	3.06	24.70	3.44	27.80	3.86
	25.0	14.50	2.13	17.20	2.50	19.80	2.89	20.40	2.95	22.20	3.19	24.70	3.60	27.80	4.05
	27.0	14.50	2.23	17.20	2.64	19.80	3.05	20.40	3.10	22.20	3.36	24.70	3.77	27.80	4.26
	29.0	14.50	2.35	17.20	2.80	19.80	3.20	20.40	3.29	22.20	3.52	24.70	3.95	27.80	4.46
	31.0	14.50	2.49	17.20	2.96	19.80	3.39	20.40	3.48	22.20	3.72	24.70	4.18	27.80	4.71
	33.0	14.50	2.64	17.20	3.13	19.80	3.59	20.40	3.67	22.20	3.93	24.70	4.41	27.80	4.97
	35.0	14.50	2.82	17.20	3.36	19.80	3.83	20.40	3.92	22.20	4.18	24.70	4.69	27.80	5.29
	37.0	14.50	3.02	17.20	3.52	19.80	4.11	20.40	4.17	22.20	4.48	24.70	5.01	27.80	5.65
	39.0	14.50	3.26	17.20	3.79	19.80	4.43	20.40	4.50	22.20	4.81	24.70	5.38	27.80	6.06
50	10.0	12.30	1.43	14.50	1.65	16.70	1.85	17.00	1.89	18.80	2.07	21.00	2.30	23.70	2.54
	12.0	12.30	1.46	14.50	1.68	16.70	1.90	17.00	1.92	18.80	2.12	21.00	2.36	23.70	2.60
	14.0	12.30	1.49	14.50	1.73	16.70	1.94	17.00	1.97	18.80	2.17	21.00	2.41	23.70	2.67
	16.0	12.30	1.54	14.50	1.77	16.70	1.99	17.00	2.03	18.80	2.22	21.00	2.47	23.70	2.74
	18.0	12.30	1.58	14.50	1.83	16.70	2.07	17.00	2.09	18.80	2.29	21.00	2.56	23.70	2.85
	20.0	12.30	1.64	14.50	1.88	16.70	2.13	17.00	2.14	18.80	2.36	21.00	2.64	23.70	2.94
	21.0	12.30	1.66	14.50	1.91	16.70	2.17	17.00	2.19	18.80	2.39	21.00	2.68	23.70	2.99
	23.0	12.30	1.70	14.50	1.96	16.70	2.24	17.00	2.28	18.80	2.49	21.00	2.79	23.70	3.12
	25.0	12.30	1.76	14.50	2.02	16.70	2.30	17.00	2.31	18.80	2.58	21.00	2.91	23.70	3.27
	27.0	12.30	1.82	14.50	2.11	16.70	2.41	17.00	2.48	18.80	2.71	21.00	3.05	23.70	3.43
	29.0	12.30	1.92	14.50	2.22	16.70	2.56	17.00	2.61	18.80	2.84	21.00	3.21	23.70	3.61
	31.0	12.30	2.04	14.50	2.36	16.70	2.72	17.00	2.76	18.80	3.01	21.00	3.39	23.70	3.82
	33.0	12.30	2.15	14.50	2.48	16.70	2.86	17.00	2.90	18.80	3.16	21.00	3.56	23.70	4.01
	35.0	12.30	2.30	14.50	2.65	16.70	3.02	17.00	3.10	18.80	3.37	21.00	3.78	23.70	4.27
	37.0	12.30	2.46	14.50	2.82	16.70	3.21	17.00	3.29	18.80	3.57	21.00	4.02	23.70	4.52
	39.0	12.30	2.64	14.50	3.04	16.70	3.47	17.00	3.51	18.80	3.84	21.00	4.31	23.70	4.86

* Capacity table may be subject to change without prior notice.

1) Capacity table comply with EN14511.

2) Nominal cooling capacities are based on;

- Indoor temperature : 27°C DB, 19°C WB

- Outdoor temperature : 35°C DB, 24°C WB, Equivalent refrigerant piping : 7.5m, Level differences : 0m

3) Nominal heating capacities are based on;

- Indoor temperature : 20°C DB, 15°C WB

- Outdoor temperature : 7°C DB, 6°C WB, Equivalent refrigerant piping : 7.5m, Level differences : 0m

1 Capacity table

AM120KXMDGH/EU

Heating

TC : Total Capacity, PI : Power Input

Combination, % (Capacity index)	Outdoor Air Temp.		Indoor temperature									
			16 (°C, DB)		18 (°C, DB)		20 (°C, DB)		22 (°C, DB)		24 (°C, DB)	
	DB	WB	TC(kW)	PI(kW)	TC(kW)	PI(kW)	TC(kW)	PI(kW)	TC(kW)	PI(kW)	TC(kW)	PI(kW)
130	15.0	14.0	51.50	7.54	48.50	7.34	45.50	7.26	43.60	7.38	41.60	7.54
	13.0	12.0	51.40	7.72	48.50	7.53	45.50	7.45	43.60	7.57	41.60	7.73
	11.0	10.0	51.50	7.94	48.50	7.73	45.50	7.65	43.60	7.78	41.60	7.95
	9.0	8.0	51.00	8.21	48.10	8.05	45.50	8.03	43.60	8.16	41.60	8.34
	7.0	6.0	49.70	8.52	47.60	8.44	45.50	8.51	43.60	8.65	41.60	8.84
	5.0	4.0	48.80	8.93	46.60	8.82	44.40	8.86	43.00	9.20	41.10	9.61
	3.0	2.0	47.60	9.49	45.40	9.26	43.60	9.19	41.90	9.49	40.30	9.86
	0.0	-1.0	46.70	10.52	44.70	10.19	42.50	10.01	41.00	10.36	39.50	10.79
	-3.0	-4.0	45.40	11.47	43.50	11.14	41.60	10.98	40.20	11.28	38.80	11.65
	-5.0	-6.0	44.20	11.84	42.10	11.55	40.80	11.45	39.10	11.77	37.80	12.16
	-7.0	-8.0	43.10	11.97	41.50	11.74	39.60	11.70	38.30	12.01	36.90	12.38
	-10.0	-11.0	41.30	11.73	40.00	11.66	38.80	11.80	37.40	12.08	36.00	12.44
	-12.0	-13.0	40.10	11.60	39.10	11.57	37.60	11.75	36.70	12.16	35.30	12.66
	-15.0	-16.0	39.40	11.52	38.70	11.54	37.40	11.77	36.40	12.17	35.40	12.66
	-17.0	-18.0	37.70	11.27	37.50	11.42	36.70	11.78	35.80	12.34	35.00	13.01
	-20.0	-21.0	36.00	11.18	36.20	11.40	35.60	11.84	34.60	12.20	33.50	12.65
	-22.0	-23.0	34.40	11.17	34.60	11.38	33.90	11.81	32.90	12.18	31.90	12.67
-25.0	-26.0	31.40	10.89	31.40	11.08	30.70	11.48	29.80	11.85	28.80	12.38	
120	15.0	14.0	48.80	7.39	45.80	7.17	42.80	7.06	40.90	7.17	39.00	7.31
	13.0	12.0	48.90	7.61	45.80	7.39	42.80	7.27	40.90	7.38	39.00	7.53
	11.0	10.0	48.70	7.86	45.80	7.63	42.80	7.52	40.90	7.64	39.00	7.79
	9.0	8.0	48.70	8.25	45.80	8.01	42.80	7.90	40.90	8.02	39.00	8.18
	7.0	6.0	48.80	8.73	45.80	8.47	42.80	8.35	40.90	8.48	39.00	8.65
	5.0	4.0	48.80	9.29	45.80	9.02	42.80	8.89	40.90	9.03	39.00	9.20
	3.0	2.0	47.60	9.90	45.30	9.68	42.70	9.62	40.80	9.78	39.00	9.99
	0.0	-1.0	47.20	10.79	44.70	10.46	42.60	10.28	41.20	10.67	39.20	11.15
	-3.0	-4.0	46.40	11.53	43.90	11.05	42.10	10.72	40.90	11.17	39.00	11.70
	-5.0	-6.0	45.50	12.20	42.90	11.53	41.40	11.01	39.90	11.39	38.40	11.85
	-7.0	-8.0	44.00	12.56	42.30	11.77	40.30	11.12	39.10	11.47	37.60	11.91
	-10.0	-11.0	42.50	12.91	40.80	12.07	38.80	11.36	37.80	11.77	36.50	12.27
	-12.0	-13.0	40.80	12.80	39.00	12.12	37.10	11.62	35.90	11.95	34.70	12.35
	-15.0	-16.0	39.80	12.74	38.50	12.22	36.70	11.82	35.60	12.30	34.50	12.87
	-17.0	-18.0	38.10	12.49	36.90	12.13	35.70	11.94	34.50	12.40	33.40	12.97
	-20.0	-21.0	36.50	12.15	36.00	12.05	34.80	12.16	33.40	12.62	32.20	13.18
	-22.0	-23.0	35.00	12.15	34.50	12.04	33.30	12.14	31.80	12.61	30.80	13.21
-25.0	-26.0	32.00	11.87	31.50	11.75	30.10	11.83	28.90	12.29	27.90	12.94	
110	15.0	14.0	46.90	7.24	43.90	7.02	41.00	6.90	39.10	6.99	37.20	7.11
	13.0	12.0	46.90	7.48	43.90	7.25	41.00	7.12	39.10	7.22	37.20	7.34
	11.0	10.0	46.90	7.78	43.90	7.54	41.00	7.41	39.10	7.51	37.20	7.64
	9.0	8.0	46.90	8.17	43.90	7.91	41.00	7.78	39.10	7.88	37.20	8.02
	7.0	6.0	46.90	8.62	43.90	8.35	41.00	8.21	39.10	8.32	37.20	8.46
	5.0	4.0	46.80	9.02	43.80	8.74	40.80	8.59	39.00	8.72	37.20	8.88
	3.0	2.0	46.20	9.58	43.50	9.33	40.90	9.23	39.00	9.37	37.20	9.54
	0.0	-1.0	45.30	9.96	42.80	9.94	40.90	10.10	39.00	10.24	37.20	10.43
	-3.0	-4.0	44.20	10.52	42.60	10.49	40.60	10.64	38.70	10.99	37.20	11.41
	-5.0	-6.0	43.50	11.13	41.80	11.07	40.10	11.19	38.30	11.59	37.00	12.08
	-7.0	-8.0	41.80	11.52	40.70	11.56	39.00	11.82	37.70	12.14	36.40	12.53
	-10.0	-11.0	40.30	12.09	38.90	11.97	37.30	12.09	36.20	12.48	34.80	12.95
	-12.0	-13.0	38.50	12.15	37.30	11.97	35.60	12.02	34.60	12.40	33.30	12.87
	-15.0	-16.0	37.70	12.30	36.40	12.26	34.80	12.37	33.80	12.78	32.50	13.28
	-17.0	-18.0	36.00	12.15	35.10	12.10	33.70	12.22	32.90	12.69	31.50	13.25
	-20.0	-21.0	35.00	12.20	34.20	12.10	32.80	12.21	31.90	12.64	30.40	13.16
	-22.0	-23.0	33.40	12.15	32.60	12.05	31.10	12.15	30.30	12.59	28.90	13.14
-25.0	-26.0	30.30	11.80	29.50	11.67	27.90	11.75	27.20	12.18	26.00	12.78	
100	15.0	14.0	43.40	6.92	40.40	6.67	37.50	6.52	35.60	6.58	33.80	6.68
	13.0	12.0	43.40	7.17	40.40	6.91	37.50	6.76	35.60	6.82	33.80	6.92
	11.0	10.0	43.40	7.51	40.40	7.24	37.50	7.08	35.60	7.14	33.80	7.26
	9.0	8.0	43.40	7.89	40.40	7.61	37.50	7.44	35.60	7.50	33.80	7.62
	7.0	6.0	43.40	8.31	40.40	8.01	37.50	7.83	35.60	7.90	33.80	8.02
	5.0	4.0	43.40	8.54	40.40	8.23	37.50	8.04	35.60	8.11	33.80	8.24
	3.0	2.0	43.40	9.03	40.40	8.70	37.50	8.50	35.60	8.58	33.80	8.71
	0.0	-1.0	43.10	9.50	40.30	9.19	37.50	9.02	35.60	9.10	33.80	9.25
	-3.0	-4.0	42.00	9.87	39.80	9.66	37.50	9.61	35.60	9.70	33.80	9.85
	-5.0	-6.0	40.90	10.43	39.00	10.29	37.10	10.33	35.60	10.42	33.70	10.55
	-7.0	-8.0	39.50	10.74	37.90	10.63	36.20	10.70	34.80	11.14	33.00	11.30
	-10.0	-11.0	37.80	11.58	36.50	11.61	35.30	11.84	33.50	11.94	31.80	12.09
	-12.0	-13.0	36.20	11.79	35.20	11.87	33.90	12.16	32.20	12.27	30.40	12.42
	-15.0	-16.0	35.10	12.32	34.60	12.42	33.10	12.74	31.40	12.86	29.70	13.02
	-17.0	-18.0	33.50	12.37	32.90	12.36	31.70	12.58	30.00	12.69	28.50	12.85
	-20.0	-21.0	32.50	12.56	31.80	12.45	30.40	12.56	28.70	12.37	27.30	12.83
	-22.0	-23.0	30.90	12.56	30.10	12.45	28.70	12.56	27.20	12.38	25.80	12.88
-25.0	-26.0	27.70	12.25	26.90	12.12	25.50	12.20	24.10	12.04	22.90	12.60	

* Capacity table may be subject to change without prior notice.

1) Capacity table comply with EN14511.

2) Nominal cooling capacities are based on;

- Indoor temperature : 27°C DB, 19°C WB

- Outdoor temperature : 35°C DB, 24°C WB, Equivalent refrigerant piping : 7.5m, Level differences : 0m

3) Nominal heating capacities are based on;

- Indoor temperature : 20°C DB, 15°C WB

- Outdoor temperature : 7°C DB, 6°C WB, Equivalent refrigerant piping : 7.5m, Level differences : 0m

1 Capacity table

AM120KXMDGH/EU

Heating

TC : Total Capacity, PI : Power Input

Combination, % (Capacity index)	Outdoor Air Temp.		Indoor temperature									
			16 (°C, DB)		18 (°C, DB)		20 (°C, DB)		22 (°C, DB)		24 (°C, DB)	
	DB	WB	TC(kW)	PI(kW)	TC(kW)	PI(kW)	TC(kW)	PI(kW)	TC(kW)	PI(kW)	TC(kW)	PI(kW)
90	15.0	14.0	39.00	6.34	36.40	6.11	33.70	5.97	32.00	6.02	30.40	6.12
	13.0	12.0	39.00	6.56	36.40	6.32	33.70	6.18	32.00	6.23	30.40	6.33
	11.0	10.0	39.00	6.81	36.40	6.57	33.70	6.42	32.00	6.47	30.40	6.58
	9.0	8.0	39.00	7.15	36.40	6.90	33.70	6.74	32.00	6.80	30.40	6.90
	7.0	6.0	39.00	7.52	36.40	7.25	33.70	7.09	32.00	7.15	30.40	7.26
	5.0	4.0	39.00	7.83	36.40	7.54	33.70	7.37	32.00	7.44	30.40	7.55
	3.0	2.0	39.00	8.20	36.40	7.91	33.70	7.73	32.00	7.79	30.40	7.92
	0.0	-1.0	39.00	8.76	36.40	8.44	33.70	8.25	32.00	8.32	30.40	8.45
	-3.0	-4.0	39.00	9.34	36.40	9.00	33.70	8.80	32.00	8.88	30.40	9.02
	-5.0	-6.0	38.50	9.57	36.20	9.48	33.70	9.55	32.00	9.64	30.40	9.79
	-7.0	-8.0	37.80	9.73	35.40	9.90	33.70	10.28	32.00	10.37	30.40	10.53
	-10.0	-11.0	36.00	9.88	34.20	10.40	32.80	11.10	31.60	10.45	29.80	10.61
	-12.0	-13.0	33.40	10.05	31.90	10.62	31.00	11.37	29.40	10.63	27.90	10.79
	-15.0	-16.0	32.00	10.54	31.30	11.05	30.10	11.74	28.20	10.64	26.80	10.81
	-17.0	-18.0	30.70	10.84	30.20	11.35	29.00	12.08	27.60	10.81	26.00	10.98
	-20.0	-21.0	29.40	11.18	29.20	11.64	28.10	12.34	26.30	11.16	24.80	11.07
-22.0	-23.0	27.80	11.13	27.60	11.57	26.50	12.27	24.80	11.10	23.40	11.04	
-25.0	-26.0	24.90	10.75	24.60	11.16	23.40	11.80	21.90	10.69	20.70	10.69	
80	15.0	14.0	34.60	5.76	32.30	5.55	29.90	5.42	28.40	5.47	27.00	5.56
	13.0	12.0	34.60	5.94	32.30	5.73	29.90	5.60	28.40	5.65	27.00	5.74
	11.0	10.0	34.60	6.11	32.30	5.89	29.90	5.75	28.40	5.80	27.00	5.89
	9.0	8.0	34.60	6.41	32.30	6.18	29.90	6.04	28.40	6.09	27.00	6.19
	7.0	6.0	34.60	6.73	32.30	6.49	29.90	6.34	28.40	6.40	27.00	6.50
	5.0	4.0	34.60	7.12	32.30	6.86	29.90	6.71	28.40	6.77	27.00	6.87
	3.0	2.0	34.60	7.37	32.30	7.11	29.90	6.95	28.40	7.01	27.00	7.12
	0.0	-1.0	34.60	7.94	32.30	7.65	29.90	7.48	28.40	7.55	27.00	7.66
	-3.0	-4.0	34.60	8.26	32.30	8.04	29.90	7.99	28.40	8.06	27.00	8.19
	-5.0	-6.0	33.70	8.39	31.90	8.34	29.90	8.46	28.40	8.53	27.00	8.66
	-7.0	-8.0	32.60	8.44	31.30	8.57	29.90	8.84	28.40	8.92	27.00	9.06
	-10.0	-11.0	31.10	8.67	30.40	8.82	28.90	9.09	27.50	9.17	26.10	9.31
	-12.0	-13.0	29.40	8.70	28.30	8.91	27.20	9.29	25.80	9.37	24.50	9.52
	-15.0	-16.0	28.30	9.21	27.60	9.34	26.50	9.65	25.40	9.52	24.10	9.67
	-17.0	-18.0	27.10	9.41	26.50	9.57	25.60	9.92	24.60	9.83	23.10	9.98
	-20.0	-21.0	26.00	9.60	25.70	9.80	24.80	10.19	23.40	9.73	22.50	9.88
-22.0	-23.0	24.70	9.54	24.30	9.74	23.40	10.12	22.10	9.67	21.20	9.85	
-25.0	-26.0	22.10	9.22	21.70	9.38	20.80	9.73	19.60	9.30	18.80	9.51	
70	15.0	14.0	30.30	5.04	28.20	4.86	26.20	4.75	24.80	4.79	23.60	4.86
	13.0	12.0	30.30	5.19	28.20	5.00	26.20	4.89	24.80	4.93	23.60	5.00
	11.0	10.0	30.30	5.33	28.20	5.13	26.20	5.02	24.80	5.06	23.60	5.14
	9.0	8.0	30.30	5.55	28.20	5.35	26.20	5.23	24.80	5.27	23.60	5.35
	7.0	6.0	30.30	5.81	28.20	5.60	26.20	5.47	24.80	5.52	23.60	5.60
	5.0	4.0	30.30	6.12	28.20	5.90	26.20	5.77	24.80	5.82	23.60	5.91
	3.0	2.0	30.30	6.35	28.20	6.12	26.20	5.98	24.80	6.04	23.60	6.13
	0.0	-1.0	30.30	6.82	28.20	6.57	26.20	6.42	24.80	6.48	23.60	6.58
	-3.0	-4.0	30.30	7.28	28.20	7.01	26.20	6.85	24.80	6.91	23.60	7.02
	-5.0	-6.0	29.90	7.56	28.00	7.36	26.20	7.28	24.80	7.35	23.60	7.46
	-7.0	-8.0	29.40	7.71	27.90	7.63	26.20	7.68	24.80	7.74	23.60	7.86
	-10.0	-11.0	28.90	7.84	27.40	7.93	26.20	8.09	24.80	8.16	23.60	8.29
	-12.0	-13.0	27.60	8.06	26.70	8.15	25.60	8.32	24.30	8.75	23.40	8.68
	-15.0	-16.0	26.80	8.39	26.10	8.59	25.30	8.96	24.00	9.03	22.80	9.17
	-17.0	-18.0	26.20	8.75	25.60	8.95	24.80	9.34	23.60	9.42	22.40	9.57
	-20.0	-21.0	24.90	8.88	24.90	9.09	24.10	9.48	22.90	9.56	21.80	9.71
-22.0	-23.0	23.60	8.44	23.60	9.00	22.80	9.38	21.60	9.43	20.40	9.57	
-25.0	-26.0	21.20	8.44	21.00	8.61	20.20	8.95	19.00	8.93	17.80	9.03	
60	15.0	14.0	25.90	4.32	24.10	4.17	22.40	4.07	21.20	4.11	20.20	4.17
	13.0	12.0	25.90	4.43	24.10	4.27	22.40	4.17	21.20	4.21	20.20	4.27
	11.0	10.0	25.90	4.54	24.10	4.38	22.40	4.28	21.20	4.31	20.20	4.38
	9.0	8.0	25.90	4.69	24.10	4.52	22.40	4.42	21.20	4.46	20.20	4.52
	7.0	6.0	25.90	4.89	24.10	4.71	22.40	4.61	21.20	4.65	20.20	4.72
	5.0	4.0	25.90	5.14	24.10	4.95	22.40	4.84	21.20	4.88	20.20	4.95
	3.0	2.0	25.90	5.34	24.10	5.15	22.40	5.03	21.20	5.07	20.20	5.15
	0.0	-1.0	25.90	5.71	24.10	5.50	22.40	5.37	21.20	5.42	20.20	5.50
	-3.0	-4.0	25.90	6.08	24.10	5.86	22.40	5.73	21.20	5.78	20.20	5.87
	-5.0	-6.0	25.80	6.48	24.10	6.26	22.40	6.12	21.20	6.17	20.20	6.27
	-7.0	-8.0	25.20	6.75	24.10	6.58	22.40	6.52	21.20	6.58	20.20	6.68
	-10.0	-11.0	24.80	6.96	23.70	6.89	22.40	6.93	21.20	6.99	20.20	7.10
	-12.0	-13.0	24.30	7.30	23.30	7.32	22.40	7.47	21.20	7.54	20.20	7.65
	-15.0	-16.0	24.10	7.95	23.50	8.09	22.90	8.38	21.70	8.45	20.60	8.58
	-17.0	-18.0	23.80	8.34	23.40	8.53	22.90	8.90	21.80	8.98	20.70	9.12
	-20.0	-21.0	23.50	8.57	23.30	8.77	22.80	9.15	21.60	9.23	20.50	9.37
-22.0	-23.0	22.10	8.41	21.90	8.60	21.30	8.95	20.20	9.00	19.10	9.12	
-25.0	-26.0	19.60	7.92	19.20	8.07	18.60	8.37	17.40	8.34	16.30	8.42	

* Capacity table may be subject to change without prior notice.

1) Capacity table comply with EN14511.

2) Nominal cooling capacities are based on;

- Indoor temperature : 27°C DB, 19°C WB

- Outdoor temperature : 35°C DB, 24°C WB, Equivalent refrigerant piping : 7.5m, Level differences : 0m

3) Nominal heating capacities are based on;

- Indoor temperature : 20°C DB, 15°C WB

- Outdoor temperature : 7°C DB, 6°C WB, Equivalent refrigerant piping : 7.5m, Level differences : 0m

1 Capacity table

AM120KXMDGH/EU

Heating

TC : Total Capacity, PI : Power Input

Combination, % (Capacity index)	Outdoor Air Temp.		Indoor temperature									
			16 (°C, DB)		18 (°C, DB)		20 (°C, DB)		22 (°C, DB)		24 (°C, DB)	
	DB	WB	TC(kW)	PI(kW)	TC(kW)	PI(kW)	TC(kW)	PI(kW)	TC(kW)	PI(kW)	TC(kW)	PI(kW)
50	15.0	14.0	21.50	3.60	20.00	3.48	18.60	3.40	17.70	3.47	16.80	3.56
	13.0	12.0	21.50	3.66	20.00	3.53	18.60	3.45	17.70	3.52	16.80	3.62
	11.0	10.0	21.50	3.74	20.00	3.61	18.60	3.53	17.70	3.60	16.80	3.70
	9.0	8.0	21.50	3.79	20.00	3.66	18.60	3.58	17.70	3.65	16.80	3.75
	7.0	6.0	21.50	3.92	20.00	3.78	18.60	3.70	17.70	3.77	16.80	3.87
	5.0	4.0	21.50	4.09	20.00	3.94	18.60	3.86	17.70	3.93	16.80	4.04
	3.0	2.0	21.50	4.27	20.00	4.12	18.60	4.03	17.70	4.10	16.80	4.22
	0.0	-1.0	21.50	4.52	20.00	4.36	18.60	4.26	17.70	4.35	16.80	4.47
	-3.0	-4.0	21.50	4.80	20.00	4.63	18.60	4.53	17.70	4.62	16.80	4.75
	-5.0	-6.0	21.50	5.19	20.00	5.01	18.60	4.90	17.70	4.99	16.80	5.13
	-7.0	-8.0	21.40	5.65	20.00	5.45	18.60	5.33	17.70	5.43	16.80	5.58
	-10.0	-11.0	21.40	6.00	20.00	5.79	18.60	5.66	17.70	5.77	16.80	5.93
	-12.0	-13.0	21.30	6.40	20.00	6.18	18.60	6.04	17.70	6.16	16.80	6.33
	-15.0	-16.0	21.70	7.02	20.50	6.77	19.00	6.62	18.10	6.75	17.10	6.94
	-17.0	-18.0	22.00	7.67	20.80	7.40	19.30	7.23	18.30	7.37	17.40	7.58
	-20.0	-21.0	22.20	8.42	21.10	8.12	19.60	7.94	18.60	8.10	17.60	8.32
	-22.0	-23.0	20.60	8.15	19.50	7.84	18.00	7.65	17.00	7.76	16.10	7.96
	-25.0	-26.0	17.60	7.44	16.60	7.11	15.10	6.89	14.10	6.92	13.20	7.04

* Capacity table may be subject to change without prior notice.

1) Capacity table comply with EN14511.

2) Nominal cooling capacities are based on;

- Indoor temperature : 27°C DB, 19°C WB

- Outdoor temperature : 35°C DB, 24°C WB, Equivalent refrigerant piping : 7.5m, Level differences : 0m

3) Nominal heating capacities are based on;

- Indoor temperature : 20°C DB, 15°C WB

- Outdoor temperature : 7°C DB, 6°C WB, Equivalent refrigerant piping : 7.5m, Level differences : 0m

1 Capacity table

AM140KXMDGH/EU

Cooling

TC : Total Capacity, PI : Power Input

Combination, % (Capacity index)	Outdoor Air Temp.	Indoor temperature													
		20 (°C, DB)		23 (°C, DB)		26 (°C, DB)		27 (°C, DB)		28 (°C, DB)		30 (°C, DB)		32 (°C, DB)	
		14 (°C, WB)		16 (°C, WB)		18 (°C, WB)		19 (°C, WB)		20 (°C, WB)		22 (°C, WB)		24 (°C, WB)	
		TC(kW)	PI(kW)	TC(kW)	PI(kW)	TC(kW)	PI(kW)	TC(kW)	PI(kW)	TC(kW)	PI(kW)	TC(kW)	PI(kW)	TC(kW)	PI(kW)
130	10.0	36.00	5.11	42.90	5.95	50.10	6.82	53.40	7.16	57.10	7.65	61.40	8.16	66.70	8.19
	12.0	35.60	5.24	42.50	6.10	49.60	6.98	52.90	7.33	56.60	7.80	60.80	8.35	66.10	8.42
	14.0	35.20	5.41	42.00	6.30	49.10	7.21	52.20	7.55	55.90	8.03	60.10	8.61	65.30	8.66
	16.0	35.00	5.58	41.70	6.49	48.70	7.43	51.90	7.77	55.50	8.26	59.70	8.85	64.80	8.92
	18.0	34.50	5.94	41.20	6.90	48.10	7.89	51.30	8.26	54.80	8.74	58.90	9.38	64.10	9.14
	20.0	34.00	6.29	40.60	7.29	47.40	8.34	50.50	8.70	54.00	9.20	58.00	9.88	63.10	9.44
	21.0	33.50	6.80	40.00	7.87	46.70	8.99	49.70	9.37	53.20	9.88	57.20	10.61	62.20	9.72
	23.0	32.90	7.29	39.30	8.42	45.90	9.61	48.80	10.01	52.30	10.53	56.20	11.29	61.10	10.32
	25.0	32.40	7.85	38.60	9.05	45.10	10.33	48.00	10.74	51.40	11.27	55.20	12.07	60.00	10.87
	27.0	31.70	8.37	37.80	9.63	44.20	10.98	47.10	11.39	50.40	11.93	54.10	12.76	58.80	11.70
	29.0	31.10	8.86	37.00	10.16	43.30	11.57	46.10	11.98	49.30	12.53	53.00	13.37	57.60	12.46
	31.0	30.40	9.38	36.30	10.74	42.30	12.21	45.10	12.62	48.30	13.17	51.90	14.02	56.40	13.32
	33.0	30.00	9.80	35.70	11.18	41.80	12.69	44.50	13.10	47.60	13.64	51.10	14.47	55.00	14.08
	35.0	29.40	10.33	35.10	11.72	40.90	13.28	43.60	13.67	46.60	14.19	50.10	14.98	52.90	14.75
	37.0	28.60	11.01	34.10	12.45	39.80	14.08	42.40	14.47	45.40	14.99	48.80	15.75	51.50	15.45
	39.0	27.70	11.65	33.40	13.13	38.60	14.81	41.10	15.20	44.00	15.70	47.30	16.44	49.90	15.95
120	10.0	34.70	4.67	41.30	5.45	48.30	6.23	51.30	6.57	54.40	6.99	58.00	7.35	60.60	7.63
	12.0	34.70	4.79	41.30	5.60	48.30	6.39	51.30	6.73	54.40	7.15	58.00	7.53	60.60	7.86
	14.0	34.20	5.18	40.80	6.02	47.70	6.89	50.80	7.23	53.80	7.63	57.40	8.09	59.80	8.09
	16.0	33.80	5.36	40.30	6.24	47.10	7.15	50.40	7.48	53.10	7.87	56.60	8.36	59.20	8.31
	18.0	33.60	5.52	40.10	6.42	46.80	7.34	49.80	7.68	52.80	8.07	56.30	8.59	58.80	8.51
	20.0	33.20	5.82	39.50	6.75	46.20	7.72	49.10	8.06	52.10	8.46	55.50	9.00	58.00	8.82
	21.0	32.70	6.25	39.00	7.24	45.50	8.29	48.40	8.64	51.30	9.04	54.70	9.62	57.10	9.06
	23.0	32.10	6.71	38.30	7.75	44.70	8.87	47.60	9.24	50.40	9.64	53.80	10.26	56.20	9.52
	25.0	31.70	7.20	37.80	8.32	44.20	9.50	47.00	9.88	49.70	10.28	53.10	10.95	55.40	10.19
	27.0	31.20	7.74	37.20	8.92	43.40	10.18	46.20	10.56	48.80	10.97	52.20	11.68	54.50	10.87
	29.0	30.60	8.14	36.40	9.36	42.60	10.68	45.30	11.06	48.00	11.48	51.20	12.18	53.40	11.60
	31.0	30.00	8.59	35.70	9.85	41.70	11.21	44.40	11.60	47.00	12.01	50.10	12.71	52.40	12.37
	33.0	29.40	9.09	35.00	10.40	40.90	11.82	43.50	12.21	46.10	12.62	49.10	13.32	51.30	12.91
	35.0	28.80	9.53	34.30	10.86	40.00	12.33	42.60	12.72	45.10	13.12	48.10	13.81	50.30	13.48
	37.0	28.00	10.06	33.60	11.42	39.00	12.93	41.60	13.30	44.00	13.68	47.00	14.32	48.80	14.12
	39.0	27.60	10.80	32.80	12.23	38.20	13.82	40.60	14.18	42.80	14.55	45.60	15.17	47.60	14.61
110	10.0	30.50	4.37	36.40	5.10	42.80	5.86	45.50	6.19	48.40	6.59	53.90	7.24	56.50	7.55
	12.0	30.50	4.47	36.40	5.23	42.80	6.00	45.50	6.33	48.40	6.74	53.90	7.42	56.50	7.76
	14.0	30.50	4.61	36.40	5.38	42.80	6.19	45.50	6.52	48.40	6.91	53.90	7.64	56.50	8.02
	16.0	30.50	4.74	36.40	5.54	42.80	6.37	45.50	6.69	48.40	7.10	53.90	7.85	56.50	8.27
	18.0	30.50	4.89	36.40	5.69	42.80	6.55	45.50	6.87	48.40	7.27	53.90	8.06	56.50	8.51
	20.0	30.50	5.08	36.40	5.92	42.80	6.82	45.50	7.14	48.40	7.52	53.50	8.31	56.50	8.84
	21.0	30.50	5.49	36.40	6.38	42.80	7.35	45.50	7.67	48.40	8.06	53.00	8.74	56.10	9.03
	23.0	30.50	5.94	36.40	6.89	42.80	7.94	45.50	8.28	48.40	8.68	52.10	9.27	55.10	9.42
	25.0	30.50	6.53	36.40	7.56	42.80	8.69	45.50	9.05	48.00	9.41	51.20	9.95	54.20	10.01
	27.0	30.50	6.99	36.40	8.08	42.80	9.28	45.50	9.65	47.40	9.88	50.20	10.44	53.50	10.76
	29.0	30.00	7.50	35.90	8.67	42.10	9.95	44.80	10.32	46.60	10.53	49.30	11.10	52.60	11.30
	31.0	29.60	7.89	35.30	9.09	41.50	10.43	44.10	10.80	45.70	10.97	48.40	11.56	51.60	12.03
	33.0	29.00	8.36	34.60	9.60	40.70	11.01	43.30	11.39	44.80	11.52	47.50	12.11	50.60	12.50
	35.0	28.50	8.85	34.00	10.14	40.00	11.60	42.50	11.98	43.90	12.07	46.50	12.66	49.60	13.10
	37.0	27.90	9.27	33.30	10.58	39.10	12.08	41.60	12.46	43.00	12.54	45.60	13.12	48.60	13.69
	39.0	27.40	9.82	32.70	11.15	38.30	12.71	40.70	13.07	41.80	13.10	44.40	13.63	47.40	14.16
100	10.0	27.10	4.06	32.30	4.73	37.70	5.39	40.00	5.68	42.50	6.03	47.30	6.65	52.10	7.29
	12.0	27.10	4.16	32.30	4.85	37.70	5.54	40.00	5.82	42.50	6.18	47.30	6.83	52.10	7.50
	14.0	27.10	4.33	32.30	5.03	37.70	5.75	40.00	6.03	42.50	6.41	47.30	7.08	52.10	7.81
	16.0	27.10	4.47	32.30	5.20	37.70	5.93	40.00	6.23	42.50	6.59	47.30	7.30	52.10	8.08
	18.0	27.10	4.62	32.30	5.36	37.70	6.13	40.00	6.42	42.50	6.79	47.30	7.52	52.10	8.35
	20.0	27.10	4.84	32.30	5.63	37.70	6.43	40.00	6.71	42.50	7.09	47.30	7.86	52.10	8.74
	21.0	27.10	5.25	32.30	6.08	37.70	6.95	40.00	7.24	42.50	7.62	47.30	8.46	51.60	8.99
	23.0	27.10	5.60	32.30	6.48	37.70	7.39	40.00	7.69	42.50	8.07	47.30	8.97	50.80	9.34
	25.0	27.10	6.02	32.30	6.95	37.70	7.94	40.00	8.25	42.50	8.64	47.30	9.59	50.00	9.76
	27.0	27.10	6.43	32.30	7.42	37.70	8.46	40.00	8.77	42.50	9.17	47.30	10.19	49.30	10.28
	29.0	27.10	6.87	32.30	7.91	37.70	9.01	40.00	9.33	42.50	9.74	47.30	10.80	48.60	10.77
	31.0	27.10	7.37	32.30	8.46	37.70	9.63	40.00	9.96	42.50	10.36	46.80	11.35	47.90	11.26
	33.0	27.10	7.87	32.30	9.02	37.70	10.25	40.00	10.37	42.50	10.99	45.80	11.75	46.90	11.78
	35.0	27.10	8.56	32.30	9.78	37.70	11.10	40.00	11.59	42.00	11.71	44.90	12.38	45.70	12.21
	37.0	27.10	9.17	32.30	10.44	37.40	11.75	39.20	11.42	41.20	12.19	43.30	12.64	44.10	12.81
	39.0	27.10	9.99	32.30	11.33	37.20	12.44	38.40	12.28	40.00	12.61	41.60	12.91	42.40	13.07
90	10.0	24.80	3.62	29.50	4.22	34.60	4.84	36.40	5.05	38.80	5.37	43.30	5.93	47.70	6.49
	12.0	24.80	3.70	29.50	4.31	34.60	4.95	36.40	5.16	38.80	5.48	43.30	6.07	47.70	6.65
	14.0	24.80	3.80	29.50	4.42	34.60	5.08	36.40	5.29	38.80	5.63	43.30	6.23	47.70	6.84
	16.0	24.80	3.93	29.50	4.58	34.60	5.26	36.40	5.47	38.80	5.81	43.30	6.44	47.70	7.10
	18.0	24.80	4.07	29.50	4.72	34.60	5.43	36.40	5.63	38.80	5.97	43.30	6.63	47.70	7.33
	20.0	24.80	4.25	29.50	4.94	34.60	5.67	36.40	5.89	38.80	6.23	43.30	6.92	47.70	7.67
	21.0	24.80	4.48	29.50	5.20	34.60	5.97	36.40	6.18	38.80	6.53	43.30	7.26	47.70	7.90
	23.0	24.80	4.73	29.50	5.49	34.60	6.30	36.40	6.51	38.80	6.85	43.30	7.64	47.70	8.30
	25.0	24.80	5.02	29.50	5.82	34.60	6.68	36.40	6.88	38.80	7.23	43.30	8.06	47.70	8.73
	27.0	24.80	5.37	29.50	6.21	34.60	7.13	36.40	7.33	38.80	7.69	43.30	8.56	47.70	9.31
	29.0	24.80	5.75	29.50	6.63	34.60	7.61	36.40	7.81	38.80	8.18	43.30	9.09	47.70	9.90
	31.0	24.80	6.16	29.50	7.08	34.60	8.10	36.40	8.32	38.80	8.68	43.30	9.64	47.70	10.49
	33.0	24.80	6.57	29.50	7.54	34.60	8.63	36.40	8.75	38.80	9.21	43.30	10.21	46.60	10.92
	35.0	24.80	7.11	29.50	8.12	34.60	9.28	36.40	9.13	38.80	9.88	43.30	10.92	45.50	11.32
	37.0	24.80	7.60	29.50	8.										

1 Capacity table

AM140KXMDGH/EU

Cooling

TC : Total Capacity, PI : Power Input

Combination, % (Capacity index)	Outdoor Air Temp.	Indoor temperature													
		20 (°C, DB)		23 (°C, DB)		26 (°C, DB)		27 (°C, DB)		28 (°C, DB)		30 (°C, DB)		32 (°C, DB)	
		14 (°C, WB)	16 (°C, WB)	18 (°C, WB)	19 (°C, WB)	20 (°C, WB)	22 (°C, WB)	24 (°C, WB)	TC(kW)	PI(kW)	TC(kW)	PI(kW)	TC(kW)	PI(kW)	TC(kW)
80	10.0	22.40	3.18	26.60	3.70	31.00	4.21	32.40	4.38	34.70	4.67	38.70	5.16	42.80	5.63
	12.0	22.40	3.23	26.60	3.76	31.00	4.28	32.40	4.44	34.70	4.74	38.70	5.25	42.80	5.74
	14.0	22.40	3.28	26.60	3.81	31.00	4.35	32.40	4.50	34.70	4.81	38.70	5.32	42.80	5.84
	16.0	22.40	3.41	26.60	3.95	31.00	4.51	32.40	4.67	34.70	4.98	38.70	5.52	42.80	6.07
	18.0	22.40	3.51	26.60	4.08	31.00	4.65	32.40	4.80	34.70	5.11	38.70	5.67	42.80	6.25
	20.0	22.40	3.67	26.60	4.25	31.00	4.85	32.40	5.01	34.70	5.32	38.70	5.91	42.80	6.54
	21.0	22.40	3.75	26.60	4.35	31.00	4.96	32.40	5.10	34.70	5.42	38.70	6.03	42.80	6.67
	23.0	22.40	3.93	26.60	4.55	31.00	5.19	32.40	5.33	34.70	5.65	38.70	6.29	42.80	6.97
	25.0	22.40	4.11	26.60	4.75	31.00	5.42	32.40	5.57	34.70	5.88	38.70	6.54	42.80	7.26
	27.0	22.40	4.41	26.60	5.07	31.00	5.79	32.40	5.93	34.70	6.25	38.70	6.96	42.80	7.74
	29.0	22.40	4.71	26.60	5.43	31.00	6.19	32.40	6.33	34.70	6.66	38.70	7.41	42.80	8.23
	31.0	22.40	5.03	26.60	5.78	31.00	6.57	32.40	6.72	34.70	7.06	38.70	7.84	42.80	8.71
	33.0	22.40	5.37	26.60	6.16	31.00	7.01	32.40	7.15	34.70	7.48	38.70	8.30	42.80	9.24
	35.0	22.40	5.77	26.60	6.59	31.00	7.49	32.40	7.63	34.70	7.98	38.70	8.83	42.80	9.82
	37.0	22.40	6.18	26.60	7.04	31.00	7.98	32.40	8.11	34.70	8.46	38.70	9.34	42.80	10.38
	39.0	22.40	6.76	26.60	7.69	31.00	8.70	32.40	8.83	34.70	9.20	38.70	10.13	42.80	11.24
70	10.0	19.90	2.70	23.60	3.14	27.30	3.54	28.40	3.70	30.60	3.96	34.00	4.34	38.10	4.73
	12.0	19.90	2.79	23.60	3.23	27.30	3.66	28.40	3.78	30.60	4.08	34.00	4.47	38.10	4.90
	14.0	19.90	2.86	23.60	3.31	27.30	3.75	28.40	3.84	30.60	4.16	34.00	4.58	38.10	5.03
	16.0	19.90	2.98	23.60	3.46	27.30	3.92	28.40	3.98	30.60	4.33	34.00	4.78	38.10	5.27
	18.0	19.90	3.10	23.60	3.58	27.30	4.07	28.40	4.11	30.60	4.47	34.00	4.95	38.10	5.47
	20.0	19.90	3.22	23.60	3.73	27.30	4.22	28.40	4.27	30.60	4.64	34.00	5.13	38.10	5.68
	21.0	19.90	3.30	23.60	3.81	27.30	4.32	28.40	4.37	30.60	4.73	34.00	5.25	38.10	5.81
	23.0	19.90	3.46	23.60	3.99	27.30	4.51	28.40	4.58	30.60	4.93	34.00	5.46	38.10	6.06
	25.0	19.90	3.58	23.60	4.13	27.30	4.68	28.40	4.77	30.60	5.08	34.00	5.63	38.10	6.26
	27.0	19.90	3.79	23.60	4.36	27.30	4.94	28.40	5.02	30.60	5.34	34.00	5.93	38.10	6.59
	29.0	19.90	3.94	23.60	4.52	27.30	5.11	28.40	5.32	30.60	5.52	34.00	6.11	38.10	6.81
	31.0	19.90	4.17	23.60	4.78	27.30	5.40	28.40	5.64	30.60	5.81	34.00	6.43	38.10	7.16
	33.0	19.90	4.46	23.60	5.10	27.30	5.76	28.40	5.95	30.60	6.16	34.00	6.82	38.10	7.59
	35.0	19.90	4.79	23.60	5.46	27.30	6.16	28.40	6.37	30.60	6.56	34.00	7.24	38.10	8.06
	37.0	19.90	5.24	23.60	5.95	27.30	6.71	28.40	6.77	30.60	7.12	34.00	7.83	38.10	8.72
	39.0	19.90	5.69	23.60	6.46	27.30	7.26	28.40	7.38	30.60	7.68	34.00	8.42	38.10	9.37
60	10.0	17.30	2.32	20.50	2.69	23.60	3.03	24.40	3.12	26.50	3.38	29.50	3.72	33.20	4.06
	12.0	17.30	2.39	20.50	2.77	23.60	3.13	24.40	3.19	26.50	3.47	29.50	3.82	33.20	4.18
	14.0	17.30	2.45	20.50	2.84	23.60	3.20	24.40	3.26	26.50	3.54	29.50	3.92	33.20	4.31
	16.0	17.30	2.55	20.50	2.94	23.60	3.33	24.40	3.37	26.50	3.67	29.50	4.07	33.20	4.47
	18.0	17.30	2.65	20.50	3.06	23.60	3.47	24.40	3.50	26.50	3.80	29.50	4.22	33.20	4.66
	20.0	17.30	2.76	20.50	3.18	23.60	3.59	24.40	3.61	26.50	3.93	29.50	4.38	33.20	4.83
	21.0	17.30	2.82	20.50	3.24	23.60	3.68	24.40	3.70	26.50	4.02	29.50	4.46	33.20	4.94
	23.0	17.30	2.96	20.50	3.41	23.60	3.85	24.40	3.88	26.50	4.20	29.50	4.67	33.20	5.18
	25.0	17.30	3.09	20.50	3.54	23.60	4.01	24.40	4.05	26.50	4.35	29.50	4.84	33.20	5.37
	27.0	17.30	3.24	20.50	3.73	23.60	4.21	24.40	4.25	26.50	4.55	29.50	5.05	33.20	5.63
	29.0	17.30	3.40	20.50	3.89	23.60	4.40	24.40	4.47	26.50	4.72	29.50	5.26	33.20	5.85
	31.0	17.30	3.60	20.50	4.12	23.60	4.65	24.40	4.74	26.50	4.99	29.50	5.54	33.20	6.16
	33.0	17.30	3.82	20.50	4.36	23.60	4.92	24.40	4.99	26.50	5.25	29.50	5.82	33.20	6.48
	35.0	17.30	4.11	20.50	4.68	23.60	5.27	24.40	5.33	26.50	5.61	29.50	6.20	33.20	6.89
	37.0	17.30	4.44	20.50	5.04	23.60	5.67	24.40	5.67	26.50	6.01	29.50	6.63	33.20	7.38
	39.0	17.30	4.85	20.50	5.49	23.60	6.17	24.40	6.18	26.50	6.51	29.50	7.15	33.20	7.95
50	10.0	14.70	1.94	17.30	2.24	20.00	2.52	20.40	2.56	22.40	2.81	25.00	3.11	28.30	3.39
	12.0	14.70	1.98	17.30	2.29	20.00	2.59	20.40	2.62	22.40	2.88	25.00	3.19	28.30	3.50
	14.0	14.70	2.04	17.30	2.36	20.00	2.66	20.40	2.69	22.40	2.95	25.00	3.27	28.30	3.60
	16.0	14.70	2.11	17.30	2.43	20.00	2.75	20.40	2.77	22.40	3.04	25.00	3.38	28.30	3.72
	18.0	14.70	2.20	17.30	2.54	20.00	2.87	20.40	2.89	22.40	3.16	25.00	3.51	28.30	3.87
	20.0	14.70	2.28	17.30	2.63	20.00	2.97	20.40	2.97	22.40	3.26	25.00	3.64	28.30	4.02
	21.0	14.70	2.33	17.30	2.68	20.00	3.03	20.40	3.04	22.40	3.32	25.00	3.71	28.30	4.11
	23.0	14.70	2.47	17.30	2.84	20.00	3.20	20.40	3.20	22.40	3.50	25.00	3.90	28.30	4.33
	25.0	14.70	2.58	17.30	2.96	20.00	3.34	20.40	3.34	22.40	3.63	25.00	4.06	28.30	4.50
	27.0	14.70	2.70	17.30	3.09	20.00	3.49	20.40	3.49	22.40	3.78	25.00	4.22	28.30	4.69
	29.0	14.70	2.85	17.30	3.25	20.00	3.67	20.40	3.66	22.40	3.95	25.00	4.41	28.30	4.91
	31.0	14.70	3.02	17.30	3.45	20.00	3.89	20.40	3.87	22.40	4.18	25.00	4.66	28.30	5.18
	33.0	14.70	3.19	17.30	3.62	20.00	4.08	20.40	4.05	22.40	4.37	25.00	4.85	28.30	5.40
	35.0	14.70	3.43	17.30	3.89	20.00	4.38	20.40	4.34	22.40	4.67	25.00	5.18	28.30	5.76
	37.0	14.70	3.67	17.30	4.15	20.00	4.66	20.40	4.62	22.40	4.95	25.00	5.48	28.30	6.10
	39.0	14.70	4.02	17.30	4.53	20.00	5.08	20.40	5.02	22.40	5.37	25.00	5.93	28.30	6.59

* Capacity table may be subject to change without prior notice.

1) Capacity table comply with EN14511.

2) Nominal cooling capacities are based on;

- Indoor temperature : 27°C DB, 19°C WB

- Outdoor temperature : 35°C DB, 24°C WB, Equivalent refrigerant piping : 7.5m, Level differences : 0m

3) Nominal heating capacities are based on;

- Indoor temperature : 20°C DB, 15°C WB

- Outdoor temperature : 7°C DB, 6°C WB, Equivalent refrigerant piping : 7.5m, Level differences : 0m

1 Capacity table

AM140KXMDGH/EU

Heating

TC : Total Capacity, PI : Power Input

Combination, % (Capacity index)	Outdoor Air Temp.		Indoor temperature									
			16 (°C, DB)		18 (°C, DB)		20 (°C, DB)		22 (°C, DB)		24 (°C, DB)	
	DB	WB	TC(kW)	PI(kW)	TC(kW)	PI(kW)	TC(kW)	PI(kW)	TC(kW)	PI(kW)	TC(kW)	PI(kW)
130	15.0	14.0	61.70	9.49	58.10	9.25	54.50	9.14	52.20	9.30	49.90	9.50
	13.0	12.0	61.60	9.72	58.10	9.48	54.50	9.39	52.20	9.55	49.90	9.75
	11.0	10.0	61.60	10.00	58.10	9.74	54.50	9.64	52.20	9.81	49.90	10.02
	9.0	8.0	61.00	10.33	57.60	10.14	54.50	10.12	52.20	10.29	49.90	10.51
	7.0	6.0	60.10	10.72	57.00	10.63	54.50	10.72	52.20	10.90	49.90	11.14
	5.0	4.0	59.00	11.24	56.40	11.11	53.80	11.16	52.00	11.59	49.80	12.12
	3.0	2.0	57.80	11.95	55.20	11.67	53.00	11.58	51.00	11.96	49.10	12.43
	0.0	-1.0	56.30	13.25	53.60	12.84	51.00	12.62	49.20	13.07	47.40	13.61
	-3.0	-4.0	55.00	14.46	52.20	14.04	49.80	13.85	48.20	14.23	46.50	14.70
	-5.0	-6.0	53.10	14.92	50.70	14.56	48.10	14.43	46.60	14.84	45.00	15.34
	-7.0	-8.0	50.90	15.08	48.70	14.80	46.60	14.76	45.00	15.15	43.40	15.63
	-10.0	-11.0	48.80	14.79	47.00	14.71	45.10	14.88	43.50	15.25	41.90	15.70
	-12.0	-13.0	46.60	14.63	45.00	14.59	43.30	14.82	42.20	15.35	40.70	15.99
	-15.0	-16.0	44.80	14.53	43.40	14.56	42.00	14.85	40.80	15.36	39.70	15.98
	-17.0	-18.0	42.60	14.26	41.80	14.45	40.90	14.91	39.90	15.62	39.00	16.47
	-20.0	-21.0	40.90	14.19	40.30	14.47	39.70	15.03	38.50	15.50	37.40	16.07
	-22.0	-23.0	38.00	13.85	37.30	14.10	36.60	14.62	35.50	15.08	34.40	15.69
-25.0	-26.0	33.00	12.97	32.10	13.14	31.20	13.55	30.30	14.00	29.40	14.64	
120	15.0	14.0	58.50	9.30	54.90	9.03	51.30	8.90	49.00	9.04	46.80	9.22
	13.0	12.0	58.50	9.59	54.90	9.31	51.30	9.16	49.00	9.31	46.80	9.50
	11.0	10.0	58.40	9.90	54.80	9.62	51.30	9.49	49.00	9.63	46.80	9.83
	9.0	8.0	58.40	10.40	54.80	10.10	51.30	9.96	49.00	10.11	46.80	10.32
	7.0	6.0	58.40	11.00	54.90	10.68	51.30	10.53	49.00	10.69	46.80	10.91
	5.0	4.0	58.40	11.70	54.90	11.37	51.30	11.21	49.10	11.38	46.80	11.61
	3.0	2.0	57.00	12.47	54.30	12.20	51.20	12.13	49.00	12.34	46.80	12.60
	0.0	-1.0	56.00	13.59	53.10	13.18	50.50	12.96	48.90	13.46	46.80	14.06
	-3.0	-4.0	54.60	14.24	52.20	13.92	49.60	13.52	48.10	14.08	46.20	14.76
	-5.0	-6.0	53.10	14.64	50.60	14.54	48.30	13.88	46.60	14.36	44.40	14.94
	-7.0	-8.0	51.60	15.23	49.40	14.84	46.60	14.02	45.30	14.47	43.50	15.03
	-10.0	-11.0	49.60	15.65	46.80	15.22	44.00	14.33	42.90	14.86	41.40	15.49
	-12.0	-13.0	47.80	15.52	44.60	15.29	42.40	14.66	41.10	15.08	40.10	15.60
	-15.0	-16.0	45.10	15.45	43.20	15.42	41.20	14.92	39.90	15.52	38.70	16.26
	-17.0	-18.0	43.10	15.19	41.10	15.35	39.80	15.11	38.50	15.70	37.70	16.42
	-20.0	-21.0	41.10	15.42	39.90	15.30	38.50	15.44	36.90	16.03	35.70	16.74
	-22.0	-23.0	38.40	15.09	37.00	14.94	35.60	15.05	34.10	15.63	33.00	16.38
-25.0	-26.0	33.50	14.17	32.00	13.98	30.50	14.01	29.30	14.57	28.30	15.35	
110	15.0	14.0	56.10	9.12	52.60	8.84	49.10	8.70	46.90	8.82	44.60	8.97
	13.0	12.0	56.20	9.42	52.60	9.13	49.10	8.98	46.90	9.10	44.60	9.27
	11.0	10.0	56.20	9.80	52.70	9.50	49.10	9.34	46.90	9.47	44.60	9.64
	9.0	8.0	56.20	10.29	52.70	9.97	49.10	9.81	46.90	9.94	44.60	10.12
	7.0	6.0	56.20	10.86	52.70	10.53	49.10	10.35	46.90	10.49	44.60	10.68
	5.0	4.0	56.00	11.37	52.50	11.02	49.00	10.83	46.80	10.99	44.60	11.21
	3.0	2.0	54.80	12.07	52.20	11.76	49.00	11.64	46.80	11.81	44.60	12.04
	0.0	-1.0	53.20	12.55	51.40	12.53	49.00	12.73	46.80	12.92	44.60	13.16
	-3.0	-4.0	51.90	13.26	49.60	13.22	47.30	13.42	45.90	13.86	43.70	14.40
	-5.0	-6.0	50.50	14.03	48.00	13.95	46.10	14.12	45.00	14.62	43.40	15.24
	-7.0	-8.0	49.00	14.53	46.60	14.58	44.70	14.91	43.30	15.31	41.80	15.82
	-10.0	-11.0	47.10	15.25	44.80	15.09	42.90	15.26	41.70	15.75	40.10	16.35
	-12.0	-13.0	45.50	15.32	43.20	15.10	41.30	15.17	40.20	15.66	38.60	16.26
	-15.0	-16.0	44.10	15.51	42.10	15.47	40.20	15.61	39.10	16.14	37.60	16.77
	-17.0	-18.0	42.00	15.37	40.40	15.32	38.70	15.48	37.90	16.07	36.20	16.79
	-20.0	-21.0	40.70	15.49	39.00	15.37	37.40	15.51	36.40	16.06	34.80	16.73
	-22.0	-23.0	37.70	15.06	36.00	14.92	34.30	15.03	33.40	15.57	31.90	16.27
-25.0	-26.0	32.50	13.99	30.70	13.79	29.00	13.81	28.20	14.33	26.90	15.05	
100	15.0	14.0	52.00	8.72	48.50	8.41	45.00	8.23	42.80	8.30	40.60	8.44
	13.0	12.0	52.00	9.04	48.50	8.72	45.00	8.53	42.80	8.61	40.60	8.74
	11.0	10.0	52.00	9.47	48.50	9.14	45.00	8.93	42.80	9.02	40.60	9.16
	9.0	8.0	52.00	9.95	48.50	9.60	45.00	9.38	42.80	9.47	40.60	9.62
	7.0	6.0	52.00	10.47	48.50	10.10	45.00	9.88	42.80	9.97	40.60	10.13
	5.0	4.0	52.00	10.76	48.50	10.38	45.00	10.15	42.80	10.24	40.60	10.41
	3.0	2.0	52.00	11.38	48.50	10.97	45.00	10.73	42.80	10.83	40.60	11.01
	0.0	-1.0	51.60	11.98	48.30	11.60	45.00	11.39	42.80	11.49	40.60	11.68
	-3.0	-4.0	50.40	12.45	47.70	12.19	45.00	12.13	42.80	12.24	40.60	12.44
	-5.0	-6.0	48.50	13.16	46.30	12.98	44.10	13.03	42.30	13.15	40.10	13.33
	-7.0	-8.0	47.10	13.54	45.10	13.41	43.10	13.51	41.40	14.07	39.30	14.28
	-10.0	-11.0	44.70	14.62	42.90	14.65	41.60	14.94	39.50	15.08	37.40	15.28
	-12.0	-13.0	43.00	14.88	41.50	14.98	39.90	15.36	37.90	15.50	35.90	15.71
	-15.0	-16.0	41.80	15.56	40.70	15.68	38.90	16.10	36.90	16.25	35.00	16.46
	-17.0	-18.0	39.70	15.67	38.40	15.66	37.10	15.94	35.00	16.09	33.40	16.30
	-20.0	-21.0	38.00	15.96	36.50	15.83	34.90	15.97	33.00	15.74	31.40	16.33
	-22.0	-23.0	35.00	15.55	33.40	15.40	31.80	15.51	30.10	15.30	28.60	15.93
-25.0	-26.0	29.70	14.45	28.00	14.24	26.30	14.26	24.90	14.08	23.70	14.77	

* Capacity table may be subject to change without prior notice.

1) Capacity table comply with EN14511.

2) Nominal cooling capacities are based on;

- Indoor temperature : 27°C DB, 19°C WB

- Outdoor temperature : 35°C DB, 24°C WB, Equivalent refrigerant piping : 7.5m, Level differences : 0m

3) Nominal heating capacities are based on;

- Indoor temperature : 20°C DB, 15°C WB

- Outdoor temperature : 7°C DB, 6°C WB, Equivalent refrigerant piping : 7.5m, Level differences : 0m

1 Capacity table

AM140KXMDGH/EU

Heating

TC : Total Capacity, PI : Power Input

Combination, % (Capacity index)	Outdoor Air Temp.		Indoor temperature									
			16 (°C, DB)		18 (°C, DB)		20 (°C, DB)		22 (°C, DB)		24 (°C, DB)	
	DB	WB	TC(kW)	PI(kW)	TC(kW)	PI(kW)	TC(kW)	PI(kW)	TC(kW)	PI(kW)	TC(kW)	PI(kW)
90	15.0	14.0	46.80	7.99	43.70	7.71	40.50	7.54	38.50	7.61	36.60	7.73
	13.0	12.0	46.80	8.27	43.70	7.98	40.50	7.80	38.50	7.88	36.60	8.00
	11.0	10.0	46.80	8.59	43.70	8.29	40.50	8.11	38.50	8.18	36.60	8.31
	9.0	8.0	46.80	9.02	43.70	8.70	40.50	8.51	38.50	8.59	36.60	8.73
	7.0	6.0	46.80	9.49	43.70	9.15	40.50	8.95	38.50	9.03	36.60	9.18
	5.0	4.0	46.80	9.87	43.70	9.52	40.50	9.31	38.50	9.40	36.60	9.55
	3.0	2.0	46.80	10.34	43.70	9.98	40.50	9.76	38.50	9.85	36.60	10.01
	0.0	-1.0	46.80	11.05	43.70	10.66	40.50	10.42	38.50	10.52	36.60	10.69
	-3.0	-4.0	46.80	11.78	43.70	11.36	40.50	11.11	38.50	11.22	36.60	11.40
	-5.0	-6.0	46.20	12.07	43.40	11.96	40.50	12.06	38.50	12.17	36.60	12.37
	-7.0	-8.0	45.30	12.27	42.40	12.50	40.40	12.98	38.40	13.10	36.40	13.32
	-10.0	-11.0	43.20	12.47	40.80	13.13	39.10	14.03	37.80	13.21	35.60	13.42
	-12.0	-13.0	40.50	12.69	38.40	13.41	37.30	14.37	35.40	13.44	33.60	13.65
	-15.0	-16.0	38.80	13.32	37.50	13.96	36.10	14.85	33.90	13.47	32.20	13.68
	-17.0	-18.0	36.70	13.74	35.60	14.39	34.10	15.33	32.50	13.72	30.60	13.94
	-20.0	-21.0	34.30	14.22	33.40	14.80	32.10	15.70	30.10	14.21	28.50	14.10
	-22.0	-23.0	31.40	13.75	30.40	14.29	29.10	15.12	27.30	13.70	25.80	13.64
-25.0	-26.0	26.40	12.60	25.30	13.01	23.90	13.68	22.40	12.41	21.20	12.43	
80	15.0	14.0	41.60	7.27	38.80	7.01	36.00	6.86	34.20	6.92	32.50	7.03
	13.0	12.0	41.60	7.51	38.80	7.24	36.00	7.08	34.20	7.15	32.50	7.26
	11.0	10.0	41.60	7.71	38.80	7.44	36.00	7.28	34.20	7.34	32.50	7.46
	9.0	8.0	41.60	8.10	38.80	7.81	36.00	7.64	34.20	7.71	32.50	7.83
	7.0	6.0	41.60	8.50	38.80	8.20	36.00	8.02	34.20	8.09	32.50	8.22
	5.0	4.0	41.60	8.99	38.80	8.67	36.00	8.48	34.20	8.56	32.50	8.70
	3.0	2.0	41.60	9.31	38.80	8.98	36.00	8.78	34.20	8.86	32.50	9.01
	0.0	-1.0	41.60	10.03	38.80	9.67	36.00	9.46	34.20	9.55	32.50	9.70
	-3.0	-4.0	41.60	10.43	38.80	10.16	36.00	10.11	34.20	10.20	32.50	10.36
	-5.0	-6.0	40.40	10.60	38.40	10.54	36.00	10.69	34.20	10.79	32.50	10.96
	-7.0	-8.0	39.20	10.66	37.50	10.83	35.90	11.18	34.10	11.28	32.40	11.46
	-10.0	-11.0	37.40	10.96	36.30	11.14	34.60	11.50	32.80	11.60	31.20	11.79
	-12.0	-13.0	36.10	11.01	34.40	11.27	33.10	11.76	31.40	11.87	29.80	12.06
	-15.0	-16.0	34.40	11.64	33.10	11.82	31.90	12.22	30.50	12.06	28.90	12.25
	-17.0	-18.0	33.00	11.94	31.90	12.15	30.70	12.60	29.60	12.49	27.80	12.69
	-20.0	-21.0	31.50	12.22	30.50	12.48	29.60	12.99	27.90	12.41	26.80	12.61
	-22.0	-23.0	28.90	11.80	27.90	12.02	26.80	12.48	25.30	11.94	24.30	12.16
-25.0	-26.0	24.40	10.78	23.20	10.92	22.10	11.25	20.90	10.78	19.90	11.02	
70	15.0	14.0	36.40	6.37	34.00	6.15	31.50	6.01	29.90	6.07	28.40	6.16
	13.0	12.0	36.40	6.56	34.00	6.32	31.50	6.19	29.90	6.24	28.40	6.34
	11.0	10.0	36.40	6.73	34.00	6.49	31.50	6.35	29.90	6.41	28.40	6.51
	9.0	8.0	36.40	7.02	34.00	6.77	31.50	6.62	29.90	6.68	28.40	6.79
	7.0	6.0	36.40	7.34	34.00	7.08	31.50	6.93	29.90	6.99	28.40	7.10
	5.0	4.0	36.40	7.74	34.00	7.47	31.50	7.30	29.90	7.37	28.40	7.49
	3.0	2.0	36.40	8.03	34.00	7.75	31.50	7.58	29.90	7.65	28.40	7.77
	0.0	-1.0	36.40	8.62	34.00	8.31	31.50	8.13	29.90	8.21	28.40	8.34
	-3.0	-4.0	36.40	9.20	34.00	8.87	31.50	8.68	29.90	8.76	28.40	8.90
	-5.0	-6.0	35.90	9.56	33.70	9.32	31.50	9.22	29.90	9.31	28.40	9.46
	-7.0	-8.0	35.40	9.75	33.50	9.65	31.40	9.72	29.80	9.81	28.30	9.97
	-10.0	-11.0	34.70	9.92	32.80	10.03	31.30	10.25	29.70	10.34	28.30	10.51
	-12.0	-13.0	33.50	10.19	32.20	10.31	30.90	10.54	29.40	11.09	28.20	11.01
	-15.0	-16.0	32.90	10.62	31.60	10.87	30.70	11.34	29.20	11.45	27.70	11.63
	-17.0	-18.0	31.70	11.11	30.50	11.37	29.60	11.87	28.10	11.98	26.70	12.17
	-20.0	-21.0	30.20	11.31	29.60	11.58	28.70	12.08	27.30	12.20	25.90	12.39
	-22.0	-23.0	27.60	10.39	27.00	11.08	26.00	11.52	24.60	11.57	23.20	11.72
-25.0	-26.0	23.20	9.79	22.40	9.93	21.30	10.24	19.90	10.16	18.50	10.20	
60	15.0	14.0	31.20	5.47	29.10	5.28	27.00	5.16	25.70	5.21	24.40	5.30
	13.0	12.0	31.20	5.61	29.10	5.41	27.00	5.29	25.70	5.34	24.40	5.43
	11.0	10.0	31.20	5.75	29.10	5.55	27.00	5.43	25.70	5.48	24.40	5.57
	9.0	8.0	31.20	5.94	29.10	5.73	27.00	5.60	25.70	5.66	24.40	5.75
	7.0	6.0	31.20	6.19	29.10	5.97	27.00	5.84	25.70	5.90	24.40	5.99
	5.0	4.0	31.20	6.51	29.10	6.28	27.00	6.14	25.70	6.19	24.40	6.29
	3.0	2.0	31.20	6.77	29.10	6.53	27.00	6.38	25.70	6.44	24.40	6.54
	0.0	-1.0	31.20	7.23	29.10	6.97	27.00	6.82	25.70	6.88	24.40	6.99
	-3.0	-4.0	31.20	7.70	29.10	7.43	27.00	7.27	25.70	7.33	24.40	7.45
	-5.0	-6.0	31.10	8.21	29.10	7.93	27.00	7.77	25.70	7.84	24.40	7.96
	-7.0	-8.0	30.30	8.55	28.90	8.34	26.90	8.27	25.60	8.35	24.30	8.48
	-10.0	-11.0	29.90	8.82	28.40	8.73	26.80	8.80	25.50	8.88	24.20	9.02
	-12.0	-13.0	29.30	9.25	27.90	9.28	26.80	9.48	25.40	9.57	24.10	9.72
	-15.0	-16.0	29.00	10.07	28.00	10.25	27.30	10.63	25.90	10.73	24.60	10.90
	-17.0	-18.0	28.70	10.59	27.90	10.85	27.30	11.32	26.00	11.43	24.70	11.61
	-20.0	-21.0	28.30	10.92	27.40	11.18	26.90	11.67	25.50	11.78	24.30	11.97
	-22.0	-23.0	25.50	10.29	24.60	10.50	24.00	10.91	22.60	10.95	21.30	11.07
-25.0	-26.0	20.80	8.96	19.80	9.05	19.00	9.30	17.60	9.19	16.40	9.19	

* Capacity table may be subject to change without prior notice.

1) Capacity table comply with EN14511.

2) Nominal cooling capacities are based on;

- Indoor temperature : 27°C DB, 19°C WB

- Outdoor temperature : 35°C DB, 24°C WB, Equivalent refrigerant piping : 7.5m, Level differences : 0m

3) Nominal heating capacities are based on;

- Indoor temperature : 20°C DB, 15°C WB

- Outdoor temperature : 7°C DB, 6°C WB, Equivalent refrigerant piping : 7.5m, Level differences : 0m

1 Capacity table

AM140KXMDGH/EU

Heating

TC : Total Capacity, PI : Power Input

Combination, % (Capacity index)	Outdoor Air Temp.		Indoor temperature									
			16 (°C, DB)		18 (°C, DB)		20 (°C, DB)		22 (°C, DB)		24 (°C, DB)	
	DB	WB	TC(kW)	PI(kW)	TC(kW)	PI(kW)	TC(kW)	PI(kW)	TC(kW)	PI(kW)	TC(kW)	PI(kW)
50	15.0	14.0	25.90	4.58	24.20	4.42	22.50	4.33	21.40	4.41	20.30	4.54
	13.0	12.0	25.90	4.65	24.20	4.48	22.50	4.39	21.40	4.48	20.30	4.61
	11.0	10.0	25.90	4.75	24.20	4.59	22.50	4.49	21.40	4.58	20.30	4.71
	9.0	8.0	25.90	4.81	24.20	4.65	22.50	4.55	21.40	4.64	20.30	4.78
	7.0	6.0	25.90	4.98	24.20	4.81	22.50	4.70	21.40	4.80	20.30	4.94
	5.0	4.0	25.90	5.19	24.20	5.01	22.50	4.90	21.40	5.00	20.30	5.15
	3.0	2.0	25.90	5.42	24.20	5.23	22.50	5.12	21.40	5.23	20.30	5.38
	0.0	-1.0	25.90	5.74	24.20	5.54	22.50	5.42	21.40	5.53	20.30	5.69
	-3.0	-4.0	25.90	6.10	24.20	5.89	22.50	5.76	21.40	5.88	20.30	6.05
	-5.0	-6.0	25.90	6.59	24.20	6.36	22.50	6.23	21.40	6.36	20.30	6.54
	-7.0	-8.0	25.90	7.17	24.10	6.93	22.40	6.78	21.30	6.92	20.20	7.12
	-10.0	-11.0	25.80	7.62	24.10	7.36	22.40	7.20	21.20	7.35	20.20	7.56
	-12.0	-13.0	25.70	8.13	24.00	7.85	22.30	7.68	21.20	7.84	20.10	8.06
	-15.0	-16.0	26.20	8.91	24.50	8.60	22.70	8.42	21.60	8.59	20.50	8.84
	-17.0	-18.0	26.60	9.75	24.80	9.42	23.00	9.22	21.90	9.41	20.80	9.68
	-20.0	-21.0	26.90	10.74	25.10	10.37	23.40	10.15	22.20	10.36	21.10	10.65
	-22.0	-23.0	23.70	9.88	22.00	9.49	20.30	9.24	19.10	9.35	18.00	9.57
	-25.0	-26.0	18.30	8.13	16.60	7.70	15.00	7.37	13.90	7.31	12.80	7.34

* Capacity table may be subject to change without prior notice.

1) Capacity table comply with EN14511.

2) Nominal cooling capacities are based on;

- Indoor temperature : 27°C DB, 19°C WB

- Outdoor temperature : 35°C DB, 24°C WB, Equivalent refrigerant piping : 7.5m, Level differences : 0m

3) Nominal heating capacities are based on;

- Indoor temperature : 20°C DB, 15°C WB

- Outdoor temperature : 7°C DB, 6°C WB, Equivalent refrigerant piping : 7.5m, Level differences : 0m

2 Capacity correction

Outdoor

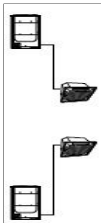
AM100KXMDGH/EU

Cooling



Level Difference (m)	Pipe Length (m)																
	8	10	20	30	40	50	60	70	80	90	100	110	120	130	140	150	160
50	-	-	-	-	-	0.94	0.93	0.92	0.92	0.92	0.91	0.90	0.89	0.88	0.88	0.87	0.86
40	-	-	-	-	0.95	0.95	0.94	0.93	0.92	0.92	0.91	0.90	0.89	0.89	0.88	0.87	0.86
30	-	-	-	0.97	0.96	0.95	0.94	0.93	0.92	0.92	0.91	0.91	0.90	0.89	0.88	0.87	0.86
20	-	-	0.98	0.97	0.96	0.95	0.94	0.93	0.92	0.92	0.91	0.90	0.89	0.89	0.88	0.87	0.87
10	-	0.99	0.98	0.97	0.96	0.95	0.94	0.93	0.92	0.93	0.92	0.91	0.90	0.89	0.88	0.88	0.87
0	0.99	0.99	0.98	0.97	0.96	0.95	0.94	0.93	0.93	0.93	0.92	0.91	0.90	0.89	0.89	0.88	0.87
-10	-	0.99	0.98	0.97	0.96	0.96	0.95	0.94	0.93	0.93	0.92	0.91	0.90	0.90	0.89	0.88	0.87
-20	-	-	0.99	0.98	0.97	0.96	0.95	0.94	0.93	0.93	0.92	0.91	0.91	0.90	0.89	0.88	0.87
-30	-	-	-	0.98	0.97	0.96	0.95	0.94	0.93	0.93	0.92	0.91	0.90	0.89	0.89	0.88	0.87
-40	-	-	-	-	0.97	0.96	0.95	0.94	0.93	0.94	0.93	0.92	0.91	0.90	0.89	0.89	0.88

Heating



Level Difference (m)	Pipe Length (m)																
	8	10	20	30	40	50	60	70	80	90	100	110	120	130	140	150	160
50	-	-	-	-	-	0.98	0.97	0.97	0.96	0.97	0.96	0.96	0.95	0.95	0.95	0.94	0.94
40	-	-	-	-	0.98	0.98	0.97	0.97	0.96	0.97	0.96	0.96	0.95	0.95	0.95	0.94	0.94
30	-	-	-	0.99	0.98	0.98	0.97	0.97	0.96	0.97	0.96	0.96	0.95	0.95	0.95	0.94	0.94
20	-	-	0.99	0.99	0.98	0.98	0.97	0.97	0.96	0.97	0.96	0.96	0.95	0.95	0.95	0.94	0.94
10	-	1.00	0.99	0.99	0.98	0.98	0.97	0.97	0.96	0.97	0.96	0.96	0.95	0.95	0.95	0.94	0.94
0	1.00	1.00	0.99	0.99	0.98	0.98	0.97	0.97	0.96	0.97	0.96	0.96	0.95	0.95	0.95	0.94	0.94
-10	-	1.00	0.99	0.99	0.98	0.98	0.97	0.97	0.96	0.97	0.96	0.96	0.95	0.95	0.95	0.94	0.94
-20	-	-	0.99	0.99	0.98	0.98	0.97	0.97	0.96	0.97	0.96	0.96	0.95	0.95	0.95	0.94	0.94
-30	-	-	-	0.99	0.98	0.98	0.97	0.97	0.96	0.97	0.96	0.96	0.95	0.95	0.95	0.94	0.94
-40	-	-	-	-	0.98	0.98	0.97	0.97	0.96	0.97	0.96	0.96	0.95	0.95	0.95	0.94	0.94

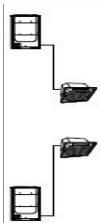
AM120KXMDGH/EU

Cooling



Level Difference (m)	Pipe Length (m)																
	8	10	20	30	40	50	60	70	80	90	100	110	120	130	140	150	160
50	-	-	-	-	-	0.96	0.95	0.94	0.94	0.93	0.92	0.92	0.91	0.90	0.90	0.89	0.88
40	-	-	-	-	0.97	0.96	0.95	0.95	0.94	0.93	0.93	0.92	0.91	0.91	0.90	0.89	0.89
30	-	-	-	0.97	0.97	0.96	0.95	0.95	0.94	0.93	0.93	0.92	0.92	0.91	0.90	0.90	0.89
20	-	-	0.98	0.98	0.97	0.96	0.95	0.94	0.94	0.93	0.93	0.92	0.92	0.91	0.90	0.90	0.89
10	-	0.99	0.98	0.98	0.97	0.97	0.96	0.95	0.94	0.93	0.93	0.92	0.91	0.91	0.90	0.89	0.89
0	1.00	1.00	0.99	0.99	0.98	0.97	0.97	0.96	0.95	0.94	0.93	0.93	0.92	0.91	0.91	0.90	0.89
-10	-	1.00	0.99	0.98	0.98	0.97	0.96	0.96	0.95	0.94	0.94	0.93	0.92	0.92	0.91	0.90	0.90
-20	-	-	0.99	0.98	0.98	0.97	0.96	0.96	0.95	0.94	0.94	0.93	0.93	0.92	0.91	0.91	0.90
-30	-	-	-	0.99	0.98	0.97	0.97	0.96	0.95	0.95	0.94	0.93	0.93	0.92	0.91	0.91	0.90
-40	-	-	-	-	0.98	0.97	0.97	0.96	0.96	0.95	0.94	0.94	0.93	0.92	0.92	0.91	0.90

Heating



Level Difference (m)	Pipe Length (m)																
	8	10	20	30	40	50	60	70	80	90	100	110	120	130	140	150	160
50	-	-	-	-	-	0.98	0.98	0.98	0.97	0.97	0.97	0.97	0.96	0.96	0.96	0.95	0.95
40	-	-	-	-	0.99	0.98	0.98	0.98	0.97	0.97	0.97	0.97	0.96	0.96	0.96	0.95	0.95
30	-	-	-	0.99	0.99	0.98	0.98	0.98	0.97	0.97	0.97	0.97	0.96	0.96	0.96	0.95	0.95
20	-	-	0.99	0.99	0.99	0.98	0.98	0.98	0.97	0.97	0.97	0.97	0.96	0.96	0.96	0.95	0.95
10	-	1.00	0.99	0.99	0.99	0.98	0.98	0.98	0.97	0.97	0.97	0.97	0.96	0.96	0.96	0.95	0.95
0	1.00	1.00	0.99	0.99	0.99	0.98	0.98	0.98	0.97	0.97	0.97	0.97	0.96	0.96	0.96	0.95	0.95
-10	-	1.00	0.99	0.99	0.99	0.98	0.98	0.98	0.97	0.97	0.97	0.97	0.96	0.96	0.96	0.95	0.95
-20	-	-	0.99	0.99	0.99	0.98	0.98	0.98	0.97	0.97	0.97	0.97	0.96	0.96	0.96	0.95	0.95
-30	-	-	-	0.99	0.99	0.98	0.98	0.98	0.97	0.97	0.97	0.97	0.96	0.96	0.96	0.95	0.95
-40	-	-	-	-	0.99	0.98	0.98	0.98	0.97	0.97	0.97	0.97	0.96	0.96	0.96	0.95	0.95

2 Capacity correction

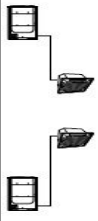
AM140KXMDGH/EU

Cooling



Level Difference (m)	Pipe Length (m)																
	8	10	20	30	40	50	60	70	80	90	100	110	120	130	140	150	160
50	-	-	-	-	-	0.95	0.94	0.93	0.92	0.91	0.90	0.89	0.89	0.88	0.87	0.86	0.85
40	-	-	-	-	0.96	0.95	0.94	0.93	0.92	0.91	0.91	0.90	0.89	0.88	0.87	0.86	0.85
30	-	-	-	0.97	0.96	0.95	0.94	0.93	0.92	0.92	0.91	0.90	0.89	0.88	0.87	0.86	0.85
20	-	-	0.98	0.97	0.96	0.95	0.94	0.94	0.93	0.92	0.91	0.90	0.89	0.88	0.87	0.87	0.86
10	-	0.99	0.98	0.97	0.96	0.95	0.95	0.94	0.93	0.92	0.91	0.90	0.89	0.88	0.88	0.87	0.86
0	0.99	0.99	0.98	0.97	0.97	0.96	0.95	0.94	0.93	0.92	0.91	0.90	0.90	0.89	0.88	0.87	0.86
-10	-	0.99	0.98	0.98	0.97	0.96	0.95	0.94	0.93	0.92	0.91	0.91	0.90	0.89	0.88	0.87	0.86
-20	-	-	0.99	0.98	0.97	0.96	0.95	0.94	0.93	0.92	0.91	0.90	0.89	0.88	0.88	0.87	0.86
-30	-	-	-	0.98	0.97	0.96	0.95	0.94	0.93	0.92	0.91	0.90	0.89	0.89	0.88	0.88	0.87
-40	-	-	-	-	0.97	0.96	0.96	0.95	0.94	0.93	0.92	0.91	0.90	0.89	0.89	0.88	0.87

Heating



Level Difference (m)	Pipe Length (m)																
	8	10	20	30	40	50	60	70	80	90	100	110	120	130	140	150	160
50	-	-	-	-	-	0.98	0.97	0.97	0.97	0.96	0.96	0.95	0.95	0.95	0.94	0.94	0.93
40	-	-	-	-	0.98	0.98	0.97	0.97	0.97	0.96	0.96	0.95	0.95	0.95	0.94	0.94	0.93
30	-	-	-	0.99	0.98	0.98	0.97	0.97	0.97	0.96	0.96	0.95	0.95	0.95	0.94	0.94	0.93
20	-	-	0.99	0.99	0.98	0.98	0.97	0.97	0.97	0.96	0.96	0.95	0.95	0.95	0.94	0.94	0.93
10	-	1.00	0.99	0.99	0.98	0.98	0.97	0.97	0.97	0.96	0.96	0.95	0.95	0.95	0.94	0.94	0.93
0	1.00	1.00	0.99	0.99	0.98	0.98	0.97	0.97	0.97	0.96	0.96	0.95	0.95	0.95	0.94	0.94	0.93
-10	-	1.00	0.99	0.99	0.98	0.98	0.97	0.97	0.97	0.96	0.96	0.95	0.95	0.95	0.94	0.94	0.93
-20	-	-	0.99	0.99	0.98	0.98	0.97	0.97	0.97	0.96	0.96	0.95	0.95	0.95	0.94	0.94	0.93
-30	-	-	-	0.99	0.98	0.98	0.97	0.97	0.97	0.96	0.96	0.95	0.95	0.95	0.94	0.94	0.93
-40	-	-	-	-	0.98	0.98	0.97	0.97	0.97	0.96	0.96	0.95	0.95	0.95	0.94	0.94	0.93

SAMSUNG

2015.12
Ver.1.0

Samsung Electronics Co., LTD.
B2B PM / SE

Head Office (Suwon Korea) 129, Samsung-Ro, Yeongtong-Gu, Suwon City, Gyeonggi-Do, Korea 443-742

Website : www.samsung.com Email : airconditioner@samsung.com

Images and data in this book may subject to change without prior notice.

SAMSUNG