

SAMSUNG

VRF

Technical

Data Book

DVM S Eco for Europe
(R410A, 50Hz, HP)



Model : AM***BXMDEH/EU, AM***BXMDGH/EU, AM***BXMWGH/EU

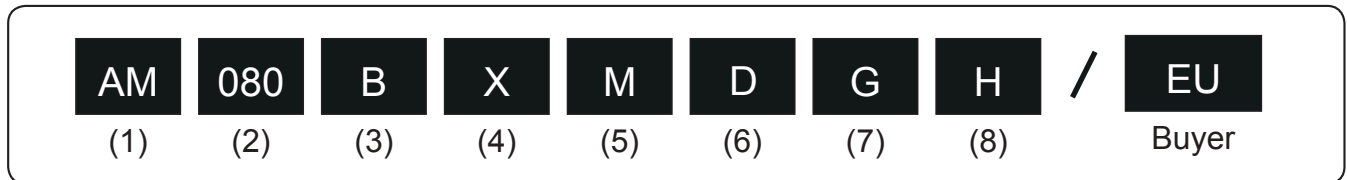
History

Version	Modification	Date	Remark
Ver.1.0	Released DVM S Eco HP TDB for Europe	'22. 04. 13	
Ver.1.1	Modified the Dimensional Drawing pages	'22. 11. 08	
Ver.1.2	Modified the Summary Page	'23. 11. 28	

Nomenclature

Outdoor Units

Model Name



(1) Classification

AM	DVM
-----------	-----

(5) Product Notation

M	DVM S Eco
----------	-----------

(2) Capacity

x 1/10 HP (3 digits)

(6) Feature

A	Standard + General Temp.+ MODULE
H	High EER + Low Temp + Module
D,W	STANDARD+GENERAL Temp. + NON MODULE

(3) Version

B	2022
----------	------

(7) Rating Voltage

E	1Ø, 220~240V, 50Hz
G	3Ø, 380~415V, 50Hz
H	3Ø, 380V, 60Hz

(4) Product Type

X	Outdoor Unit
N	Indoor Unit

(8) Mode

H	Heat Pump
R	Heat Recovery

Features & Benefits

Experience ultimate comfort at home or work with powerful yet economical performance

The VRF-based Samsung DVM S Eco system air conditioner combines world-class energy efficiency and economy to deliver outstanding performance in a space-saving design. Supporting up to nine indoor units, DVM S Eco is a perfectly optimized cooling system for residences and smaller buildings. Its lightweight, small-scale build enables easy, low-cost installation, while its uniquely quiet design ensures soothing comfort and maximum efficiency. Plus, the DVM S Eco line offers a wide range of capacities to suit every need.

Big capacity. Big choice.

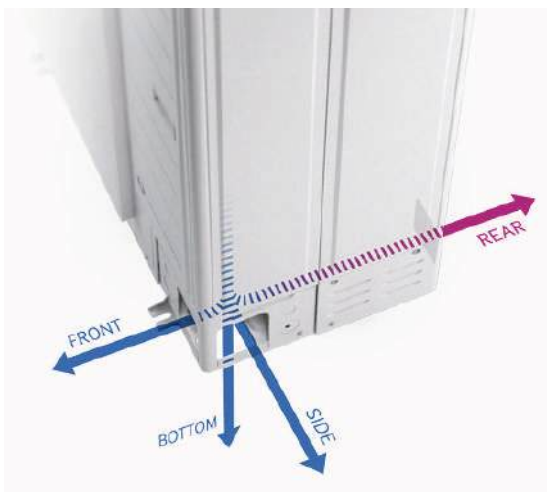
World's largest capacity and most compact side-discharge outdoor unit, which also offers a high level of energy efficiency. It's ideal for homes or business that need plenty of coverage, but only have limited space.

The Samsung DVM S Eco system air conditioner delivers optimal comfort, efficiency and performance with features such as:

- **First-rate energy efficiency.** Save on energy consumption and operational costs with high-performance compressor technology.
- **Low noise levels.** Enjoy a more peaceful home or work environment with quiet operation, thanks to a streamlined fan design.
- **Various installation options.** Ease installation and minimize effort with a small footprint and a variety of size options.

Connects more, fits more

Has a 4 way piping system, with connections at the front, side, and rear, and a 160m piping length, so it fits into many more places, including small or narrow spaces, and is easier to install and maintain.



Compact design for extra flexibility

The most compact air conditioner in its class, making it very easy and economical to install and operate without compromising on performance. It also leaves plenty of extra space that can be used for other purposes.



Advanced performance & energy efficiency

Its advanced technology radically improves performance and reduces wasted energy. It includes an innovative Digital Inverter Compressor, an optimized heat exchanger with corrugated fins and highly efficient fans.



Flexibly install it almost anywhere

Provides the flexibility to be installed almost anywhere regardless of its location or distance from the building. It has a piping length of up to 160m (525ft) and can reach up to a height of 50m (164ft).



Features & Benefits

Improved reliability in cold conditions

Featuring advanced refrigerant control technology, its flash injection provides improved heating performance at -25°C . And it continues to perform even at lower temperatures, for reliable comfort when it's freezing.



Control your cooling anywhere

An optional Wi-Fi Kit lets you remotely control indoor units using a smartphone App*. Anytime and anywhere you can turn them on and off, select the operating mode and temperature, and utilize their other functions.

* Available on iPhones and Android devices. A Wi-Fi connection is required.



Drive down costs and energy use with unmatched efficiency

Samsung DVM S Eco delivers world-class energy efficiency for today's eco- and budget-conscious businesses. Using advanced compressor technology, it offers industry-leading COP, which means exceptional heating and cooling performance at a nominal cost.

Energy-efficient compression

DVM S Eco features innovative inverter compressor, which provides a higher cooling and heating COP than that of a conventional model. The result is one of the most efficient air conditioning systems on the market and a smart investment for cost-conscious businesses.



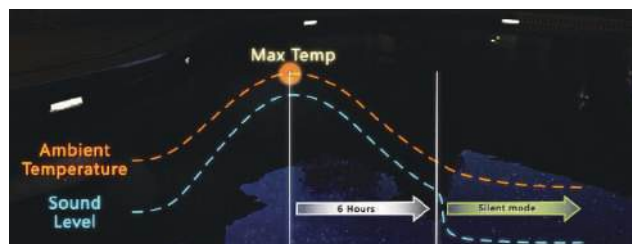
Enjoy minimal noise levels for maximum comfort

With its superior design, DVM S Eco offers a comforting environment undisturbed by bothersome noise levels typical of standard air conditioning systems. Residents can enjoy a more restful night and employees can increase focus levels with less disturbance.

Ultra-quiet operation

By producing less noise than conventional models, the DVM S ECO imposes fewer distractions on residential and working environments. Its compact, unimposing design and specially shaped fan blades help reduce sound levels up to 5 decibels, creating a more pleasant. Plus, its quiet operation during the night time creates a restful environment with a reduced noise level of 2 - 8 dB.

* Available in heating mode by external contact signal






Contents

1. Line up	7
2. Specification	8
3. Electric Characteristics	14
4. Dimensional Drawing	15
5. Center of Gravity	18
6. Electrical Wiring Diagrams	21
7. Sound Data	26
8. Operation Range	30
9. Piping Diagram	32
10. Capacity Table	36
11. Capacity Correction	72
12. Installation	74

1. Line up

Outdoor Units

Capacity (HP)		4, 5	8	10, 12
Shape				
Model	1phase	AM040BXMDEH/EU AM050BXMDEH/EU		
	3phase		AM080BXMDGH/EU AM080BXMWGH/EU	AM100BXMWGH/EU AM120BXMWGH/EU

2. Specification

Outdoor Units

Type			DVM S Eco	DVM S Eco		
Model Name			AM040BXMDEH/EU	AM050BXMDEH/EU		
Power Supply		Φ, #, V, Hz	2,2,220~240,50	2,2,220~240,50		
Mode			HEAT PUMP	HEAT PUMP		
Performance	HP	HP	4	5		
	Capacity (Rated)	Cooling	kW	12.1	14.0	
		Heating	kW	12.1	14.0	
		Heating (Max.)	kW	12.5	16.0	
Maximum number of connectable indoor units			EA	6	8	
Total capacity of the connected indoor units			Min.	kW	5.60	7.00
			Max.	kW	15.70	18.20
Power	Power Input	Cooling	kW	3.90	5.19	
		Heating		3.23	4.12	
		Heating (Max.)		3.42	5.23	
	Current Input	Cooling	A	17.8	23.8	
		Heating		14.8	18.9	
		Heating (Max.)		15.7	23.9	
	Minimum Ssc		MVA	Equipment complying with IEC61000-3-12	Equipment complying with IEC61000-3-12	
MCA		A	24.0	27.0		
MFA (MOP)		A	32.0	40.0		
Energy Efficiency	Nominal Cooling		W/W	3.10	2.70	
	Nominal Heating		W/W	3.75	3.40	
	Nominal Heating (Max.)		W/W	3.65	3.06	
	Ducted	SEER	W/W	7.30	7.00	
		SCOP	W/W	4.20	4.40	
		ηs,c	%	289.0	277.0	
		ηs,h	%	165.0	173.0	
	Non_Ducted	SEER	W/W	7.60	7.35	
		SCOP	W/W	4.20	4.40	
		ηs,c	%	301.0	291.0	
ηs,h		%	165.0	173.0		
Pdesignh		kW	6.80	7.00		
Casing	Material	Body	-	GI Steel Plate	GI Steel Plate	
		Base	-	GI Steel Plate	GI Steel Plate	
Heat exchanger	Type		-	Fin & Tube	Fin & Tube	
	Material	Fin	-	Al	Al	
		Tube	-	Cu	Cu	
Fin Treatment		-	Anti-corrosion	Anti-corrosion		
Compressor	Type		-	Twin BLDC Rotary	Twin BLDC Rotary	
	Output		kW × n	4.04 × 1	4.04 × 1	
	Model Name		-	UG5TK5450FJX x 1	UG5TK5450FJX x 1	
	Oil	Type	-	PVE	PVE	
		Initial charge	cc × n	1,700	1,700	
Fan	Type		-	Propeller	Propeller	
	Output × n		W	-	-	
	Discharge direction		-	Horizontal	Horizontal	
	Quantity		-	1	1	
	Air Flow Rate		CMM	64	70	
			l/s	1,067.0	1,167.0	
	External Static Pressure	Max.	mmAq	3.0	3.0	
Pa			29.4	29.4		
Fan Motor	Type		-	BLDC Motor	BLDC Motor	
	Output × n		W × n	125 × 1	139 × 1	

2. Specification

Outdoor Units

Type			DVM S Eco	DVM S Eco	
Model Name			AM040BXMDEH/EU	AM050BXMDEH/EU	
Piping Connections	Liquid Pipe	Φ, mm	9.52	9.52	
		Φ, inch	3/8"	3/8"	
		Type	Braze Connection	Braze Connection	
		Φ, mm(inch)	9.52 (3/8")	9.52 (3/8")	
	Gas Pipe	Φ, mm	15.88	15.88	
		Φ, inch	5/8"	5/8"	
		Type	Braze Connection	Braze Connection	
		Φ, mm(inch)	15.88 (5/8")	15.88 (5/8")	
	Discharge Gas Pipe	Φ, mm	-	-	
		Φ, inch	-	-	
		Type	Braze Connection	Braze Connection	
		Φ, mm(inch)	- (-)	- (-)	
	Heat Insulation		-	Both liquid and gas pipes	Both liquid and gas pipes
	Piping length (ODU-IDU)	Max. [Equiv.]	m	50 (65)	50 (65)
Piping length (1st Branch-IDU)	Max.	m	40	40	
Total piping length (System)	Max.	m	150	150	
Level difference (ODU in highest position)	Max.	m	30	30	
Level difference (IDU in highest position)	Max.	m	25	25	
Level difference (IDU-IDU)	Max.	m	15	15	
Field Wiring	Transmission Cable	Min.	mm ²	0.75	
		Remark	-	F1, F2	
	Power supply intake			Both IDU&ODU	Both IDU&ODU
Refrigerant	Type		-	R410A	
	Factory Charging		kg	2.0	
			tCO ₂ e	4.18	
Sound	Sound Pressure	Cooling	dB(A)	53	
		Heating		56	
	Sound Power			70	73
External Dimension	Net Weight		kg	79	
	Shipping Weight		kg	85	
	Net Dimensions (WxHxD)		mm	940 x 998 x 330	
	Shipping Dimensions (WxHxD)		mm	1,009 x 1,124 x 419	
Operating Temp. Range	Cooling		°C	-5.0 ~ 48.0 °C	
	Heating		°C	-20.0 ~ 24.0 °C	

NOTE

- Specifications may be subject to change without prior notice.
 - Cooling capacities are based on;
 - Indoor temperature: 27°C DB, 19°C WB
 - Outdoor temperature: 35°C DB, 24°C WB, Equivalent refrigerant piping: 75m, Level differences: 0m
 - Heating capacities are based on;
 - Indoor temperature: 20°C DB, 15°C WB
 - Outdoor temperature: 7°C DB, 6°C WB, Equivalent refrigerant piping: 75m, Level differences: 0m
 - Select wire size based on the value of MCA
 - Sound power level is an absolute value that a sound source generates.
Sound pressure level is a relative value, depending on the distance and acoustic environment. Sound values are obtained in an anechoic room. Sound values of multi-combination are theoretical values based on sound results of individual installed units.
 - These products contain R410A (GWP=2,088) which is fluorinated greenhouse gas.

* Casette

Capacity	Indoor combination	Capacity	Indoor combination
4HP	3x AM028AN4PKH + 1x AM036AN4PKH	8HP	2x AM028AN4PKH + 1x AM036AN4PKH + 1x AM140AN4PKH
5HP	4x AM036AN4PKH	10HP	2x AM036AN4PKH + 1x AM090AN4PKH + 1x AM128AN4PKH
6HP	2x AM036AN4PKH + 2x AM045AN4PKH	12HP	2x AM028AN4PKH + 2x AM036AN4PKH + 1x AM090AN4PKH + AM128AN4PKH

* Ducted

Capacity	Indoor combination	Capacity	Indoor combination
4HP	3x AM028ANMPKH + 1x AM036ANMPKH	8HP	4x AM056ANHPKH
5HP	4x AM036ANMPKH	10HP	4x AM071ANHPKH
6HP	2x AM036ANMPKH + 2x AM045ANMPKH	12HP	6x AM056ANHPKH

2. Specification

Outdoor Units

Type				DVM S Eco	DVM S Eco	
Model Name				AM080BXMMDGH/EU	AM080BXMWGH/EU	
Power Supply			Φ, #, V, Hz	3,4,380~415,50	3,4,380~415,50	
Mode				-	HEAT PUMP	
Performance	HP		HP	8	8	
	Capacity(Rated)	Cooling	kW	22.4	22.4	
		Heating	kW	22.4	22.4	
		Heating (Max.)	kW	25.0	25.0	
Maximum number of connectable indoor units			EA	13	13	
Total capacity of the connected indoor units			Min.	kW	11.20	
			Max.	kW	29.10	29.10
Power	Power Input	Cooling	kW	10.98	9.96	
		Heating		6.40	5.89	
		Heating (Max.)		7.79	7.18	
	Current Input	Cooling	A	17.2	15.6	
		Heating		10.0	9.2	
		Heating (Max.)		12.2	11.3	
	Minimum Ssc			MVA	3.4	3.4
MCA			A	18.4	18.0	
MFA (MOP)			A	25.0	25.0	
Energy Efficiency	Nominal Cooling		W/W	2.04	2.25	
	Nominal Heating		W/W	3.50	3.80	
	Nominal Heating (Max.)		W/W	3.21	3.48	
	Ducted	SEER	W/W	5.75	6.05	
			SCOP	W/W	4.20	4.20
			ηs,c	%	227.0	239.0
			ηs,h	%	165.0	165.0
	Non_Ducted	SEER	W/W	6.00	6.30	
			SCOP	W/W	4.25	4.25
			ηs,c	%	237.0	249.0
ηs,h			%	167.0	167.0	
Pdesignh		kW	11.20	12.00		
Casing	Material	Body	-	GI Steel Plate	GI Steel Plate	
		Base	-	GI Steel Plate	GI Steel Plate	
Heat exchanger	Type		-	Fin & Tube	Fin & Tube	
	Material	Fin	-	Al	Al	
		Tube	-	Cu	Cu	
Fin Treatment		-	Anti-corrosion	Anti-corrosion		
Compressor	Type		-	Twin BLDC Rotary	Scroll Inverter	
	Output		kW × n	4.78 × 1	5.18 × 1	
	Model Name		-	UG5T520FUBJX	DS-GB052FAVB	
	Oil	Type	-	PVE	PVE	
		Initial charge	cc × n	1,700	1,100	
Fan	Type		-	Propeller	Propeller	
	Output × n		W	-	-	
	Discharge direction		-	Horizontal	Horizontal	
	Quantity		-	1	2	
	Air Flow Rate		CMM	135	135	
			l/s	2,250.0	2,250.0	
	External Static Pressure	Max.	mmAq	3.0	3.0	
Pa			29.4	29.4		
Fan Motor	Type		-	BLDC Motor	BLDC Motor	
	Output × n		W × n	139 × 2	139 × 2	

2. Specification

Outdoor Units

Type			DVM S Eco	DVM S Eco	
Model Name			AM080BXMMDGH/EU	AM080BXMWGH/EU	
Piping Connections	Liquid Pipe	Φ, mm	9.52	9.52	
		Φ, inch	3/8"	3/8"	
		Type	Braze Connection	Braze Connection	
		Φ, mm(inch)	9.52 (3/8")	9.52 (3/8")	
	Gas Pipe	Φ, mm	19.05	19.05	
		Φ, inch	3/4"	3/4"	
		Type	Braze Connection	Braze Connection	
		Φ, mm(inch)	19.05 (3/4")	19.05 (3/4")	
	Discharge Gas Pipe	Φ, mm	-	-	
		Φ, inch	-	-	
		Type	Braze Connection	Braze Connection	
		Φ, mm(inch)	- (-)	- (-)	
	Heat Insulation		-	Both liquid and gas pipes	Both liquid and gas pipes
	Piping length (ODU-IDU)	Max. [Equiv.]	m	100 (130)	100 (130)
Piping length (1st Branch-IDU)	Max.	m	40	40	
Total piping length (System)	Max.	m	300	300	
Level difference (ODU in highest position)	Max.	m	30	50	
Level difference (IDU in highest position)	Max.	m	30	40	
Level difference (IDU-IDU)	Max.	m	30	50	
Field Wiring	Transmission Cable	Min.	mm ²	0.75	
		Remark	-	F1, F2	
	Power supply intake			Both IDU&ODU	Both IDU&ODU
Refrigerant	Type		-	R410A	
	Factory Charging	kg	3.7	3.7	
		tCO ₂ e	7.73	7.73	
Sound	Sound Pressure	Cooling	dB(A)	58	
		Heating		59	
	Sound Power			73	73
External Dimension	Net Weight		kg	115	135
	Shipping Weight		kg	125	145
	Net Dimensions (WxHxD)		mm	940 x 1,420 x 330	940 x 1,420 x 330
	Shipping Dimensions (WxHxD)		mm	995 x 1,578 x 426	995 x 1,578 x 426
Operating Temp. Range	Cooling		°C	-5.0 ~ 48.0 °C	-5.0 ~ 48.0 °C
	Heating		°C	-20.0 ~ 24.0 °C	-20.0 ~ 24.0 °C

NOTE

- Specifications may be subject to change without prior notice.
 - Cooling capacities are based on;
 - Indoor temperature: 27°C DB, 19°C WB
 - Outdoor temperature: 35°C DB, 24°C WB, Equivalent refrigerant piping: 75m, Level differences: 0m
 - Heating capacities are based on;
 - Indoor temperature: 20°C DB, 15°C WB
 - Outdoor temperature: 7°C DB, 6°C WB, Equivalent refrigerant piping: 75m, Level differences: 0m
 - Select wire size based on the value of MCA
 - Sound power level is an absolute value that a sound source generates.
Sound pressure level is a relative value, depending on the distance and acoustic environment. Sound values are obtained in an anechoic room. Sound values of multi-combination are theoretical values based on sound results of individual installed units.
 - These products contain R410A (GWP=2,088) which is fluorinated greenhouse gas.
- Recommended combination

* Casette

Capacity	Indoor combination	Capacity	Indoor combination
4HP	3x AM028AN4PKH + 1x AM036AN4PKH	8HP	2x AM028AN4PKH + 1x AM036AN4PKH + 1x AM140AN4PKH
5HP	4x AM036AN4PKH	10HP	2x AM036AN4PKH + 1x AM090AN4PKH + 1x AM128AN4PKH
6HP	2x AM036AN4PKH + 2x AM045AN4PKH	12HP	2x AM028AN4PKH + 2x AM036AN4PKH + 1x AM090AN4PKH + AM128AN4PKH

* Ducted

Capacity	Indoor combination	Capacity	Indoor combination
4HP	3x AM028ANMPKH + 1x AM036ANMPKH	8HP	4x AM056ANHPKH
5HP	4x AM036ANMPKH	10HP	4x AM071ANHPKH
6HP	2x AM036ANMPKH + 2x AM045ANMPKH	12HP	6x AM056ANHPKH

2. Specification

Outdoor Units

Type				DVM S Eco	DVM S Eco	
Model Name				AM100BXMWGH/EU	AM120BXMWGH/EU	
Power Supply			Φ, #, V, Hz	3,4,380~415,50	3,4,380~415,50	
Mode				HEAT PUMP	HEAT PUMP	
Performance	HP		HP	10	12	
	Capacity(Rated)	Cooling	kW	28.0	33.6	
		Heating	kW	28.0	33.6	
		Heating (Max.)	kW	31.5	37.5	
Maximum number of connectable indoor units			EA	18	21	
Total capacity of the connected indoor units			Min.	kW	14.00	16.80
			Max.	kW	36.40	43.60
Power	Power Input	Cooling	kW	12.73	14.30	
		Heating		7.78	9.21	
		Heating (Max.)		9.60	11.21	
	Current Input	Cooling	A	20.0	22.4	
		Heating		12.2	14.4	
		Heating (Max.)		15.1	17.6	
	Minimum Ssc			MVA	4.6	5.1
	MCA			A	21.5	23.5
MFA (MOP)			A	30.0	30.0	
Energy Efficiency	Nominal Cooling		W/W	2.20	2.35	
	Nominal Heating		W/W	3.60	3.65	
	Nominal Heating (Max.)		W/W	3.28	3.35	
	Ducted	SEER	W/W	6.30	6.30	
			SCOP	W/W	4.20	4.60
			ηs,c	%	249.0	249.0
			ηs,h	%	165.0	181.0
	Non_Ducted	SEER	W/W	6.40	6.50	
			SCOP	W/W	4.15	4.50
			ηs,c	%	253.0	257.0
			ηs,h	%	163.0	177.0
Pdesignh		kW	19.60	23.50		
Casing	Material	Body	-	GI Steel Plate	GI Steel Plate	
		Base	-	GI Steel Plate	GI Steel Plate	
Heat exchanger	Type		-	Fin & Tube	Fin & Tube	
	Material	Fin	-	Al	Al	
		Tube	-	Cu	Cu	
Fin Treatment		-	Anti-corrosion	Anti-corrosion		
Compressor	Type		-	Scroll Inverter	Scroll Inverter	
	Output		kW × n	6.39 × 1	6.39 × 1	
	Model Name		-	DS-GB066FAVB	DS-GB066FAVB	
	Oil	Type	-	PVE	PVE	
		Initial charge	cc × n	1,100	1,100	
Fan	Type		-	Propeller	Propeller	
	Output × n		W	-	-	
	Discharge direction		-	Horizontal	Horizontal	
	Quantity		-	2	2	
	Air Flow Rate		CMM	165	166	
			l/s	2,750.0	2,766.7	
	External Static Pressure	Max.	mmAq	3.0	3.0	
Pa			29.4	29.4		
Fan Motor	Type		-	BLDC Motor	BLDC Motor	
	Output × n		W × n	244 × 2	244 × 2	

2. Specification

Outdoor Units

Type			DVM S Eco	DVM S Eco	
Model Name			AM100BXMWGH/EU	AM120BXMWGH/EU	
Piping Connections	Liquid Pipe	Φ, mm	9.52	12.70	
		Φ, inch	3/8"	1/2"	
		Type	Braze Connection	Braze Connection	
		Φ, mm(inch)	9.52 (3/8")	12.70 (1/2")	
	Gas Pipe	Φ, mm	22.22	28.58	
		Φ, inch	7/8"	11/8"	
		Type	Braze Connection	Braze Connection	
		Φ, mm(inch)	22.22 (7/8")	28.58 (11/8")	
	Discharge Gas Pipe	Φ, mm	-	-	
		Φ, inch	-	-	
		Type	Braze Connection	Braze Connection	
		Φ, mm(inch)	- (-)	- (-)	
	Heat Insulation		-	Both liquid and gas pipes	Both liquid and gas pipes
	Piping length (ODU-IDU)	Max. [Equiv.]	m	160 (185)	160 (185)
Piping length (1st Branch-IDU)	Max.	m	40	40	
Total piping length (System)	Max.	m	300	300	
Level difference (ODU in highest position)	Max.	m	50	50	
Level difference (IDU in highest position)	Max.	m	40	40	
Level difference (IDU-IDU)	Max.	m	50	50	
Field Wiring	Transmission Cable	Min.	mm ²	0.75	
		Remark	-	F1, F2	
	Power supply intake			Both IDU&ODU	Both IDU&ODU
Refrigerant	Type		-	R410A	
	Factory Charging	kg	4.3	4.8	
		tCO ₂ e	8.98	10.02	
Sound	Sound Pressure	Cooling	dB(A)	58	
		Heating		64	
	Sound Power			74	76
External Dimension	Net Weight		kg	155	
	Shipping Weight		kg	168	
	Net Dimensions (WxHxD)		mm	940 x 1,630 x 460	
	Shipping Dimensions (WxHxD)		mm	1,020 x 1,820 x 575	
Operating Temp. Range	Cooling		°C	-5.0 ~ 52.0	
	Heating		°C	-25.0 ~ 24.0	

NOTE

- Specifications may be subject to change without prior notice.
 - Cooling capacities are based on;
 - Indoor temperature: 27°C DB, 19°C WB
 - Outdoor temperature: 35°C DB, 24°C WB, Equivalent refrigerant piping: 75m, Level differences: 0m
 - Heating capacities are based on;
 - Indoor temperature: 20°C DB, 15°C WB
 - Outdoor temperature: 7°C DB, 6°C WB, Equivalent refrigerant piping: 75m, Level differences: 0m
 - Select wire size based on the value of MCA
 - Sound power level is an absolute value that a sound source generates.
Sound pressure level is a relative value, depending on the distance and acoustic environment. Sound values are obtained in an anechoic room. Sound values of multi-combination are theoretical values based on sound results of individual installed units.
 - These products contain R410A (GWP=2,088) which is fluorinated greenhouse gas.
- Recommended combination

* Casette

Capacity	Indoor combination	Capacity	Indoor combination
4HP	3x AM028AN4PKH + 1x AM036AN4PKH	8HP	2x AM028AN4PKH + 1x AM036AN4PKH + 1x AM140AN4PKH
5HP	4x AM036AN4PKH	10HP	2x AM036AN4PKH + 1x AM090AN4PKH + 1x AM128AN4PKH
6HP	2x AM036AN4PKH + 2x AM045AN4PKH	12HP	2x AM028AN4PKH + 2x AM036AN4PKH + 1x AM090AN4PKH + AM128AN4PKH

* Ducted

Capacity	Indoor combination	Capacity	Indoor combination
4HP	3x AM028ANMPKH + 1x AM036ANMPKH	8HP	4x AM056ANHPKH
5HP	4x AM036ANMPKH	10HP	4x AM071ANHPKH
6HP	2x AM036ANMPKH + 2x AM045ANMPKH	12HP	6x AM056ANHPKH

3. Electrical Characteristics

Capacity		Model	Power Supply				Voltage Range		Running Current [A]		Current [A]		ODU Fan Motor
HP	kW		Φ	#	Hz	Voltage	Min. (-10%)	Max. (+10%)	Cooling	Heating	MCA	MFA	kW
4	12.1	AM040BXMDEH/EU	1	2	50	220~240	198	264	17.80	14.80	24.0	32.0	0.125
5	14.0	AM050BXMDEH/EU	1	2	50	220~240	198	264	23.80	18.90	27.0	40.0	0.139
8	22.4	AM080BXMMDGH/EU	3	4	50	380~415	342	456	17.20	10.00	18.4	25.0	0.278
8	22.4	AM080BXMWGH/EU	3	4	50	380~415	342	456	15.60	9.20	18.0	25.0	0.278
10	28.0	AM100BXMWGH/EU	3	4	50	380~415	342	456	20.00	12.20	21.5	30.0	0.488
12	33.6	AM120BXMWGH/EU	3	4	50	380~415	342	456	22.40	14.40	23.5	30.0	0.488

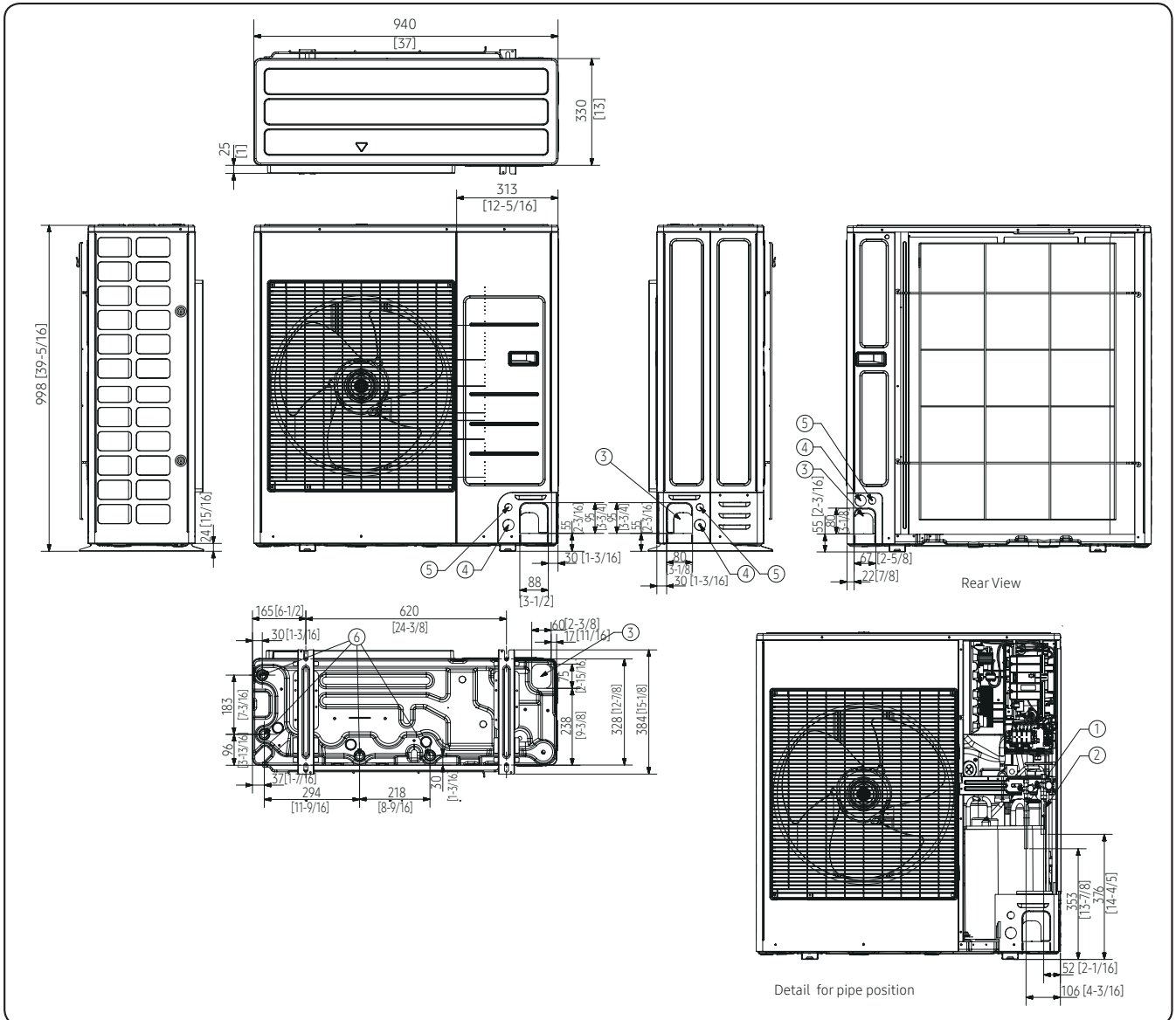
 **NOTE**

- MCA : Minimum circuit amperes
- MFA : Maximum fuse amperes
- Select wire size based on the value of MCA

4. Dimensional Drawing

AM040BXMDEH/EU, AM050BXMDEH/EU

Units : mm [inches]

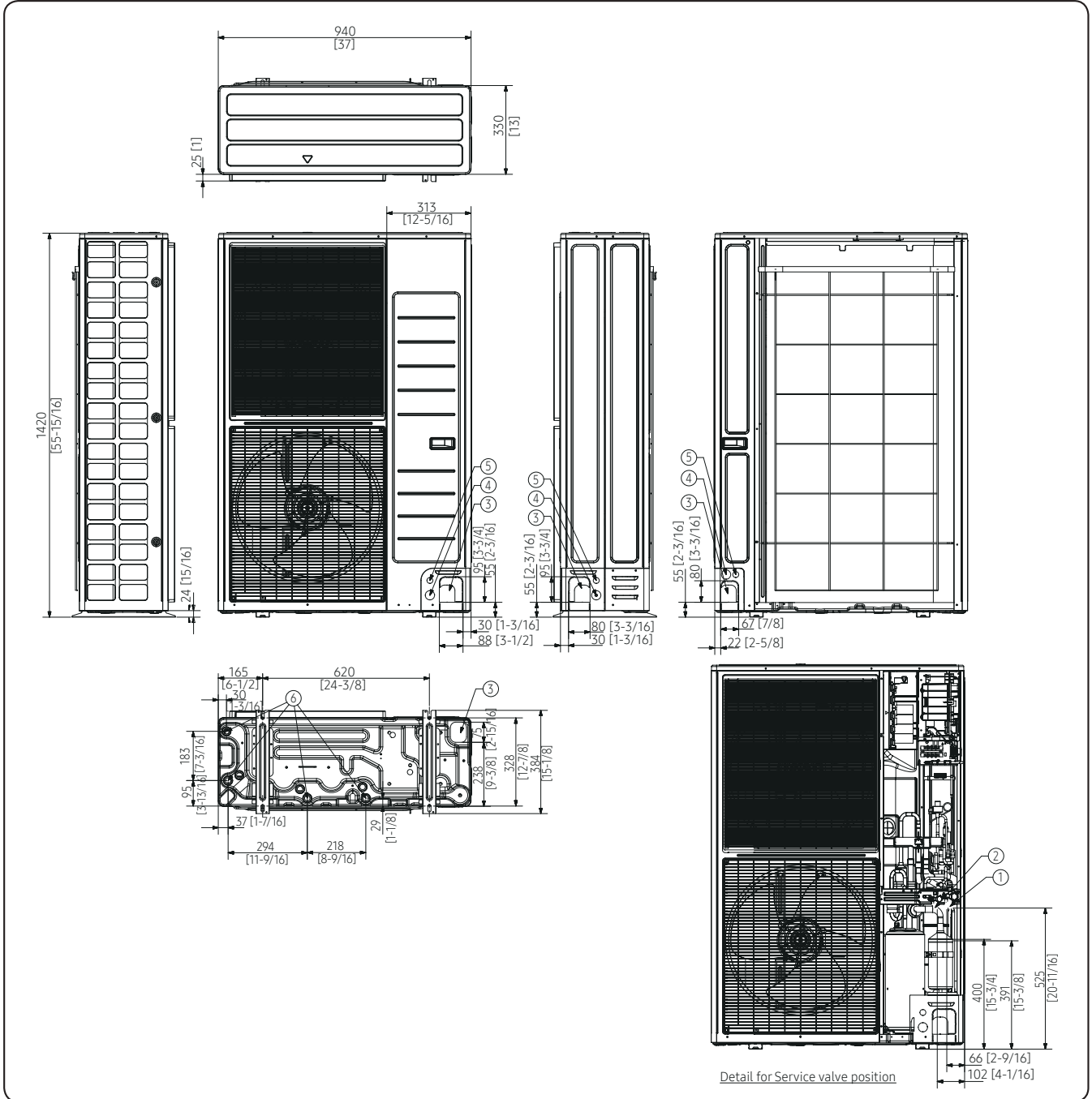


NO	Name	Description
		4 / 5 HP
1	Refrigerant liquid pipe	Φ9.52 (Φ3/8)
2	Refrigerant gas pipe	Φ15.88 (Φ5/8)
3	Knockout hole for pipe intake	Front / Side / Rear / Bottom
4	Power wiring conduits	Front / Side / Rear, Φ34 (Φ1-3/8)
5	Communication wiring conduits	Front / Side / Rear, Φ22 (Φ7/8)
6	Drain holes	Connect with the provided drain plug.

4. Dimensional Drawing

AM080BXMDGH/EU, AM080BXMWGH/EU

Units : mm [inches]

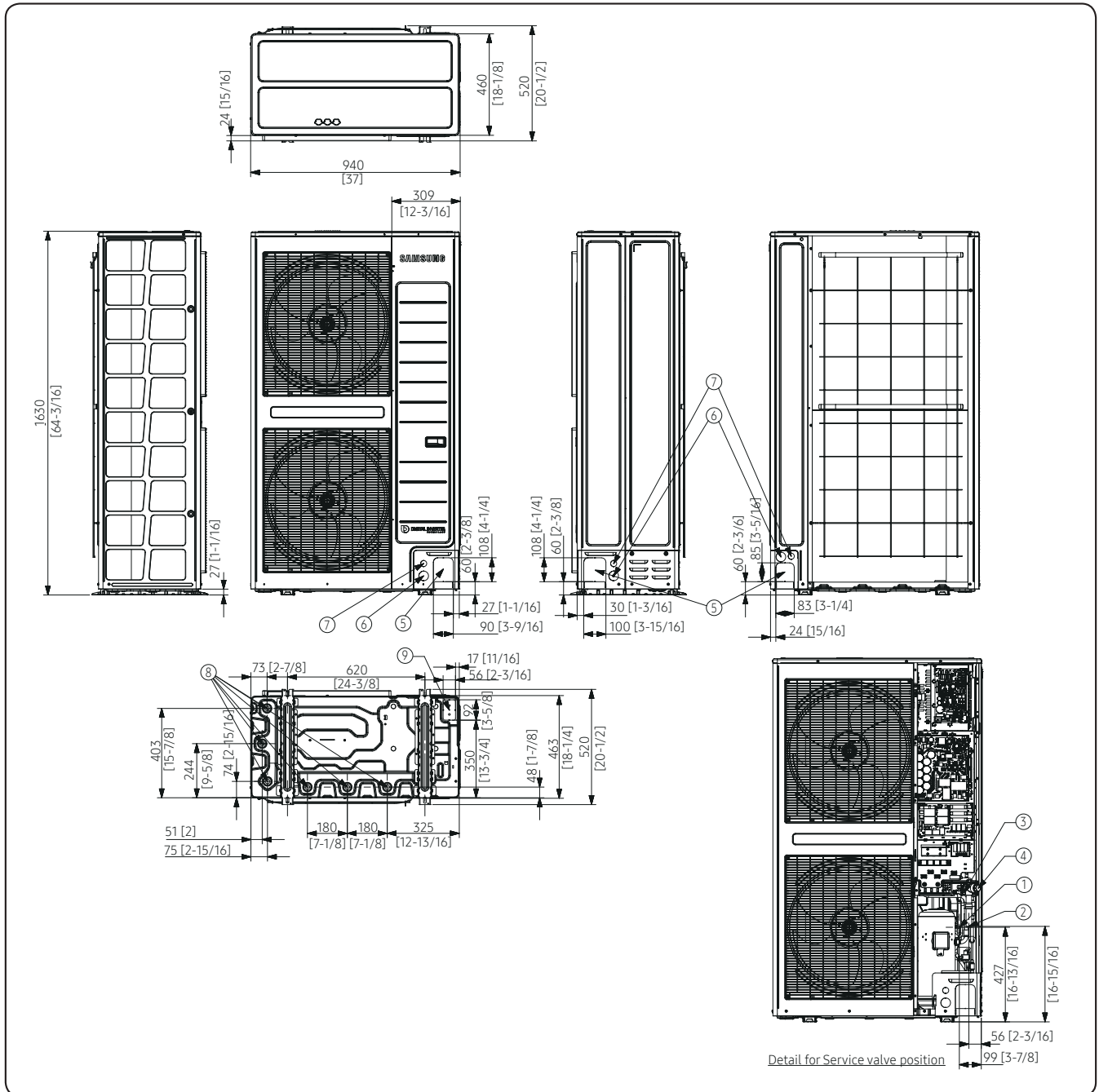


NO	Name	Description
1	Refrigerant gas pipe	Φ19.05 (Φ3/4)
2	Refrigerant liquid pipe	Φ9.52 (Φ3/8)
3	Knockout hole for pipe intake	Front / Side / Rear / Bottom
4	Power wiring conduits	Front / Side / Rear, Φ34 (Φ1-3/8)
5	Communication wiring conduits	Front / Side / Rear, Φ22 (Φ7/8)
6	Drain holes	Connect with the provided drain plug.

4. Dimensional Drawing

AM100BXMWGH/EU, AM120BXMWGH/EU

Units : mm [inches]

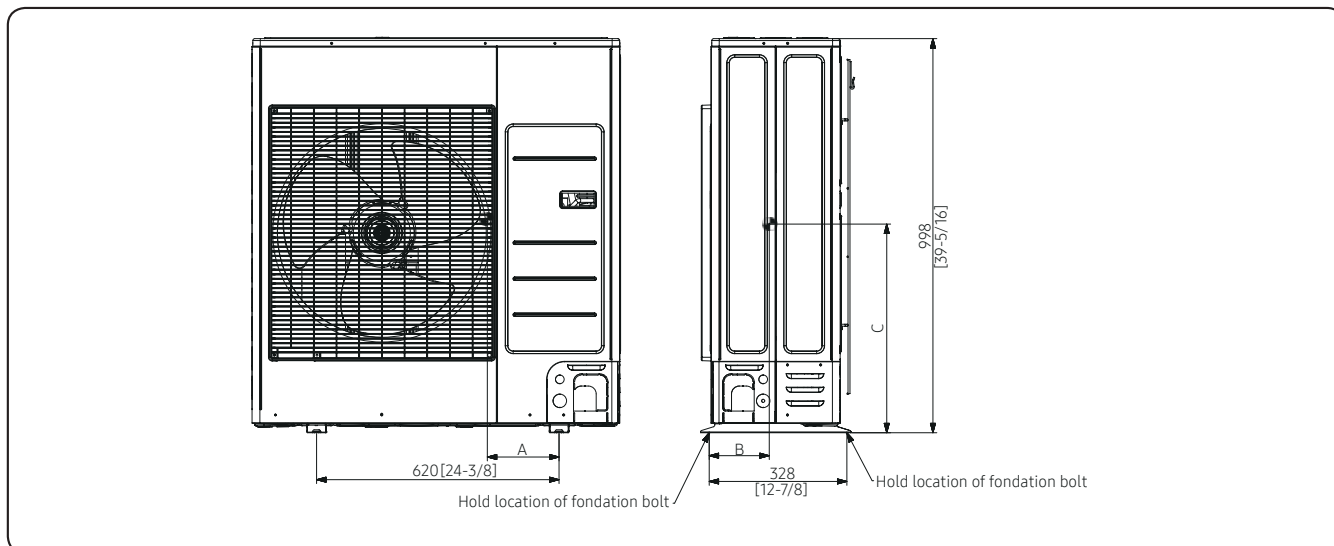


NO	Name	Description	
		10 HP	12 HP
1	Refrigerant liquid pipe	Φ9.52 (Φ3/8)	Φ12.7 (Φ1/2)
2	Refrigerant gas pipe	Φ22.22 (Φ7/8)	Φ28.58 (Φ1-1/8)
3	Service Valve (Gas)		
4	Service Valve (Liquid)		
5	Knockout hole for pipe intake	Front / Side / Rear	
6	Powerwiring conduits	Φ44 (Φ1-3/4)	
7	Communication wiring conduits	Φ28 (Φ1-1/8)	
8	Drain holes	Connect with the provided drain plug.	
9	Knockout hole for pipe intake	Bottom	

5. Center of Gravity

AM040BXMDEH/EU, AM050BXMDEH/EU

Units : mm [inches]

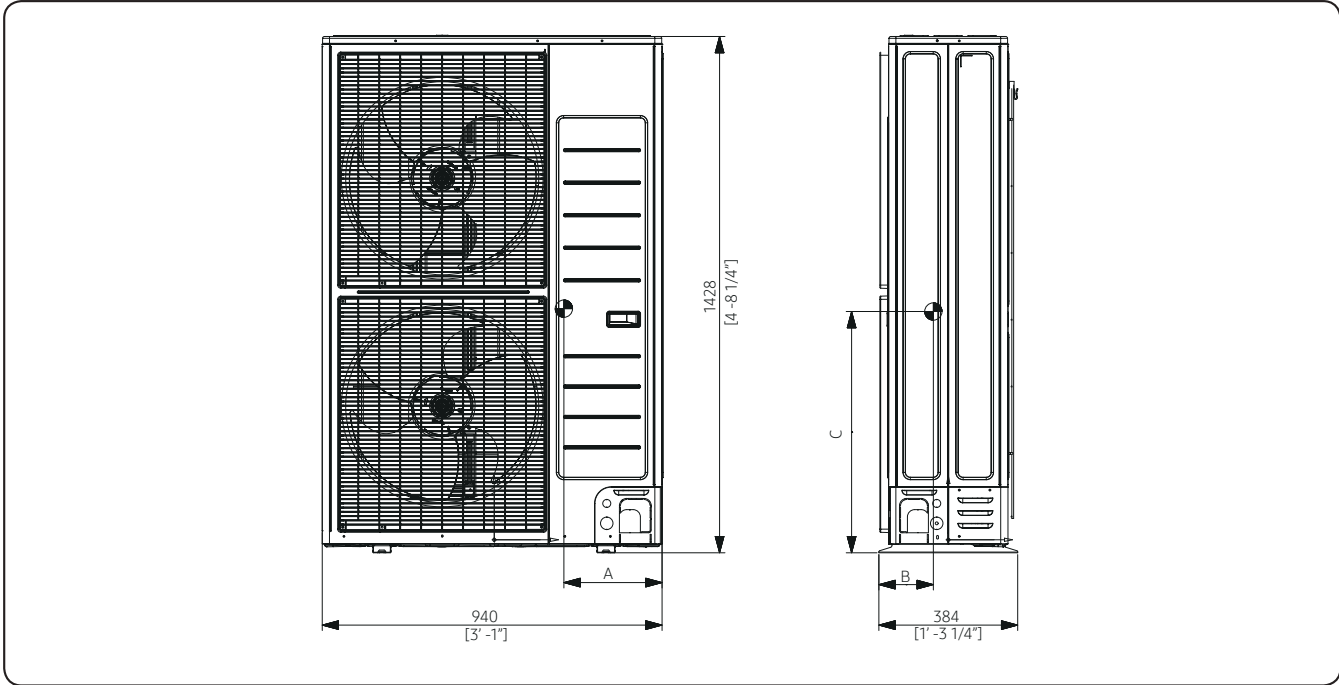


Model	A	B	C
AM040BXMDEH/EU	205	160	445
AM050BXMDEH/EU	205	160	445

5. Center of Gravity

AM080BXM*GH/EU

Units : mm [inches]

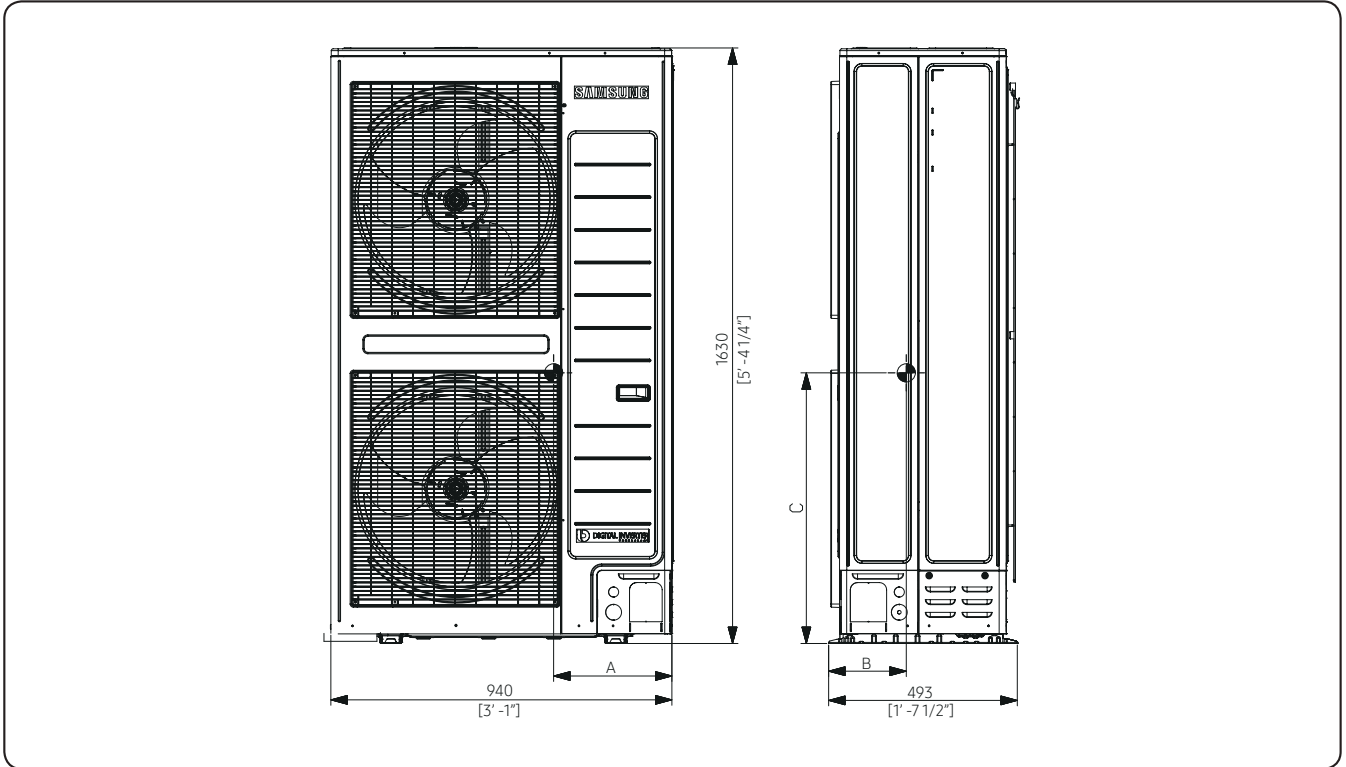


Model	A	B	C
AM080BXMDGH/EU	363	168	653

5. Center of Gravity

AM100BXMWGH/EU, AM120BXMWGH/EU

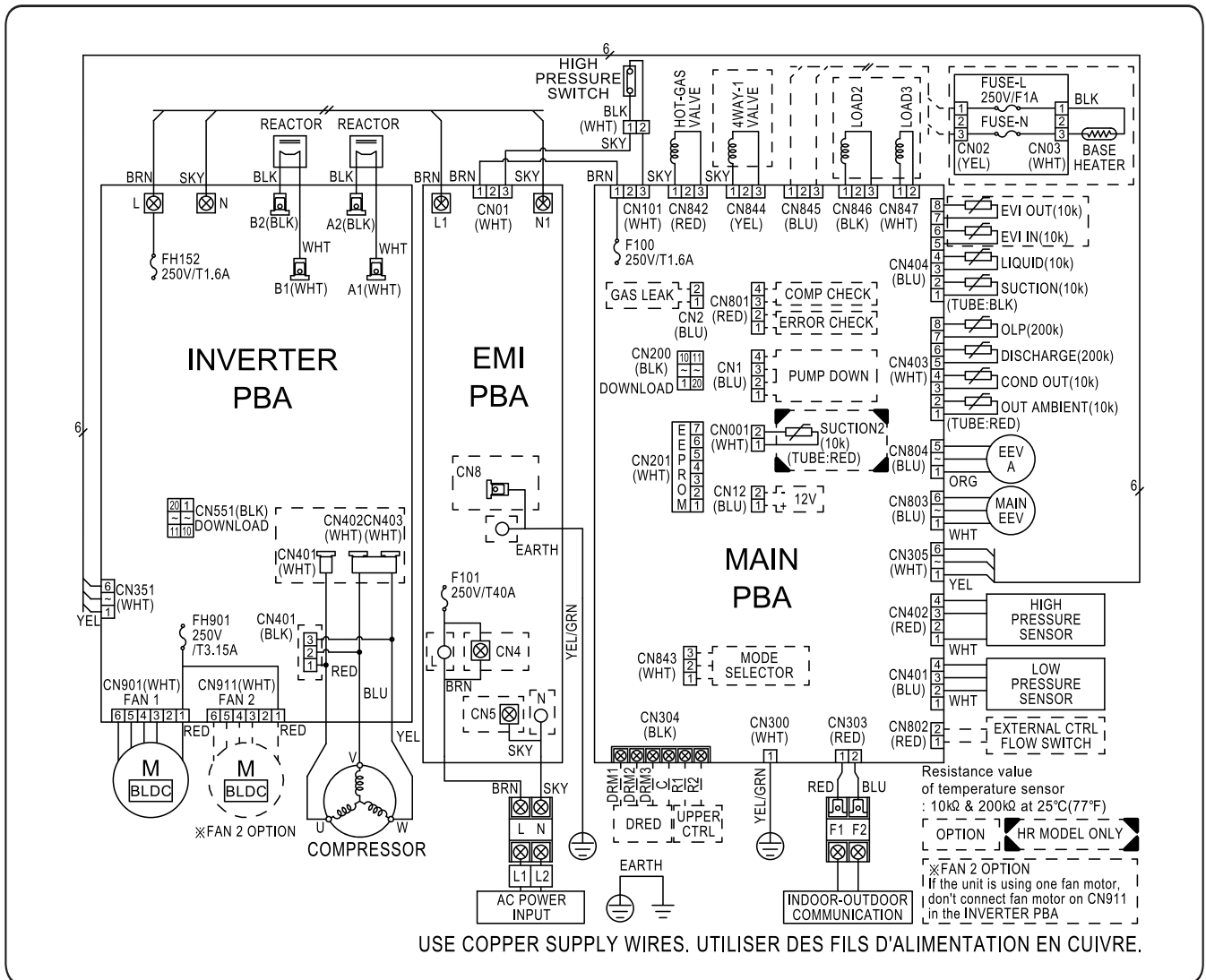
Units : mm [inches]



Model	A	B	C
AM100BXMWGH/EU	336	214	746
AM120BXMWGH/EU	336	214	746
AM140KXMDGH/EU	336	214	746

6. Electrical Wiring Diagram

AM040BXMDEH/EU



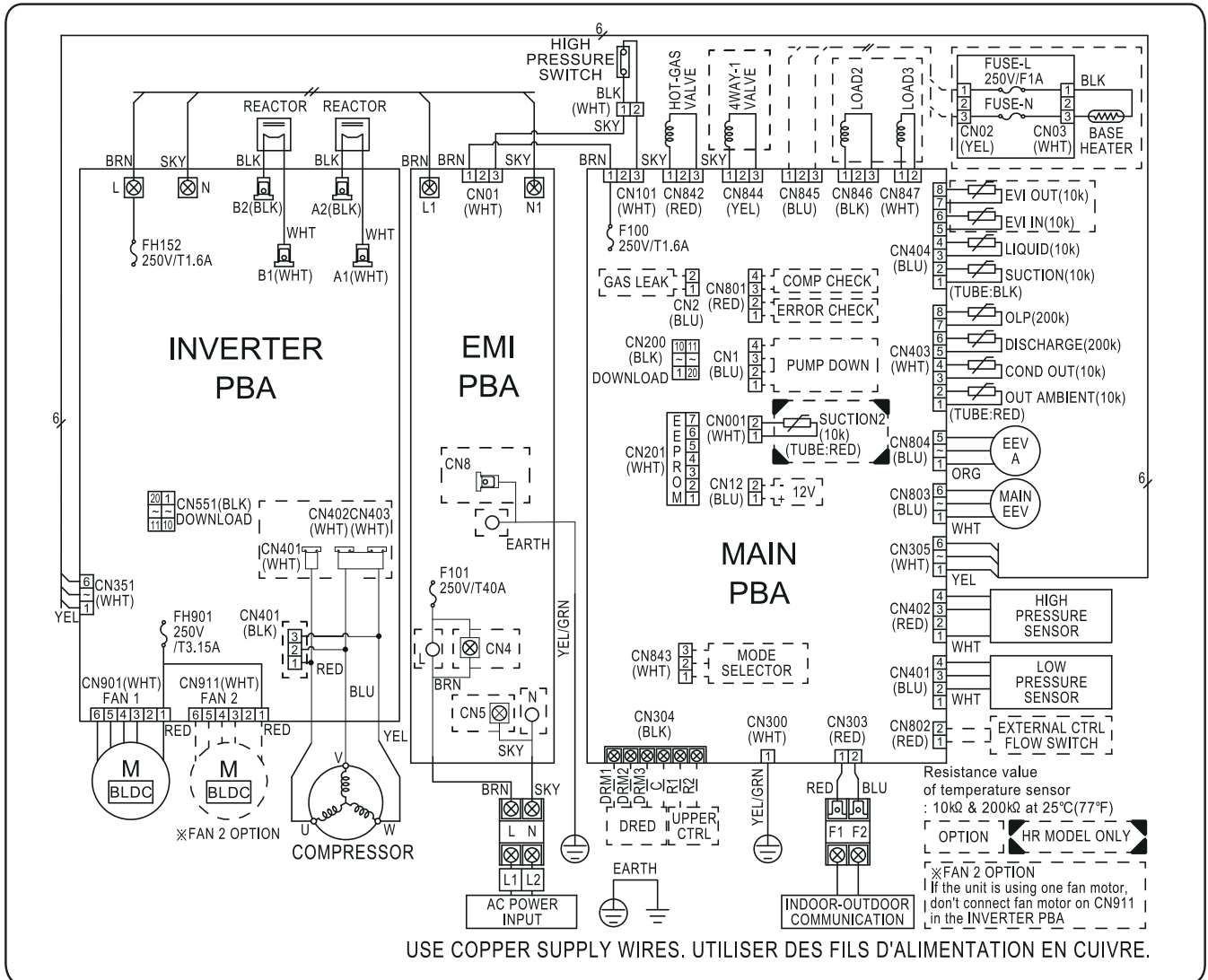
MAIN PCB	Printed circuit board (Main)	4WAY-1 VALVE	Solenoid valve (4WAY)	OLP-TEMP	Thermistor (Liquid)
INVERTER PCB	Printed circuit board (Inverter)	4WAY-2 VALVE	Solenoid valve (4WAY)	DISCHARGE-TEMP	Thermistor (Discharge)
EMI PCB	Printed circuit board (emi1)	EEV	Electronic expansion valve	COND-TEMP	Thermistor (Liquid)
COMP	Motor (Compressor)	HOTGAS VALVE	Solenoid valve (Hotgas-bypass)	LIQUID TEMP	Thermistor (Liquid)
BLDC	Motor (ODU Fan)	HOTGAS VALVE	Solenoid valve (Hotgas-bypass)	OUT-TEMP	Thermistor (Air)
REACTOR	DC_Reactor	250V T40A	FUSE		

NOTE

- This wiring diagram applies only to the outdoor unit.
- Colors blk: black, red: red, blu: blue, wht: white, yel: yellow, brn: brown, sky: skyblue, org: orange, grn: green
- When operating, don't shortcircuit the protection device (High Pressure switch)
- For connection wiring indoor-outdoor transmission F1-F2, outdoor-outdoor transmission OF1-OF2, refer to the installation manual.
- Protective earth(SCREW), : connector, : The wire quantity

6. Electrical Wiring Diagram

AM050BXMDEH/EU



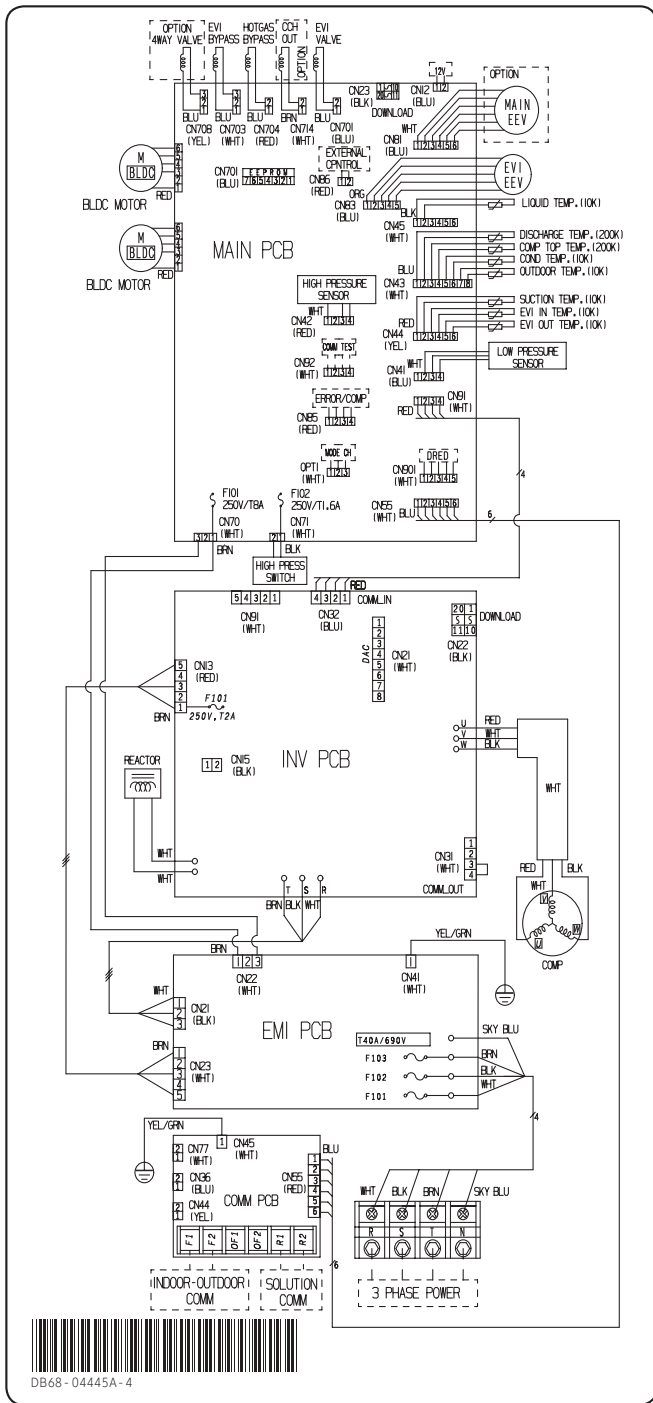
MAIN PCB	Printed circuit board (Main)	4WAY-1 VALVE	Solenoid valve (4WAY)	OLP-TEMP	Thermistor (Liquid)
INVERTER PCB	Printed circuit board (Inverter)	4WAY-2 VALVE	Solenoid valve (4WAY)	DISCHARGE-TEMP	Thermistor (Discharge)
EMI PCB	Printed circuit board (emi1)	EEV	Electronic expansion valve	COND-TEMP	Thermistor (Liquid)
COMP	Motor (Compressor)	HOTGAS VALVE	Solenoid valve (Hotgas-bypass)	LIQUID TEMP	Thermistor (Liquid)
BLDC	Motor (ODU Fan)	HOTGAS VALVE	Solenoid valve (Hotgas-bypass)	OUT-TEMP	Thermistor (Air)
REACTOR	DC_Reactor	500V T25A	FUSE		

NOTE

- This wiring diagram applies only to the outdoor unit.
- Colors blk: black, red: red, blu: blue, wht: white, yel: yellow, brn: brown, sky: skyblue, org: orange, grn: green
- When operating, don't shortcircuit the protection device (High Pressure switch)
- For connection wiring indoor-outdoor transmission F1-F2, outdoor-outdoor transmission OF1-OF2, refer to the installation manual.
- Protective earth(SCREW), : connector, : The wire quantity

6. Electrical Wiring Diagram

AM080BXMWGH/EU



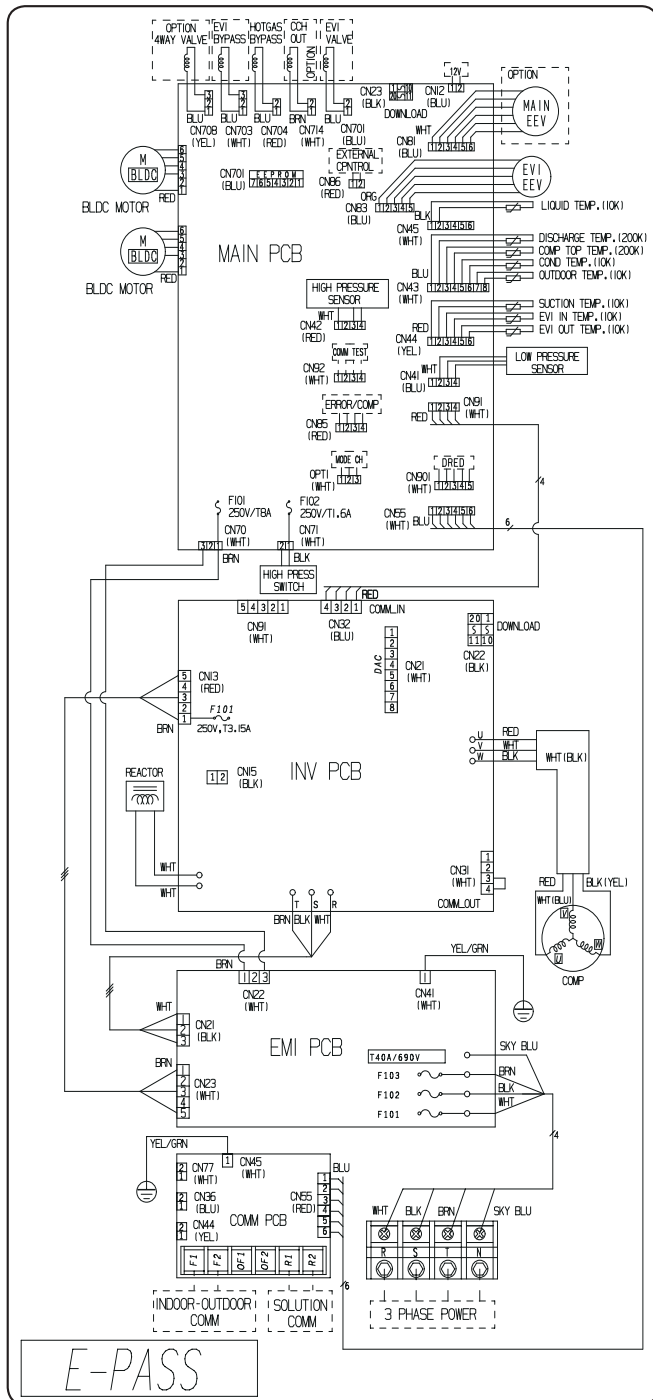
MAIN BOARD	Printed circuit board (Main)
INV PCB	Printed circuit board (Inverter)
EMI PCB	Printed circuit board (emi1)
COMM PCB	Printed circuit board (Communication)
COMP	Motor (Compressor)
BLDC MOTOR	Motor (ODU Fan)
REACTOR	DC_Reactor
4WAY VALVE	Solenoid valve (4WAY)
EVI BYPASS	Solenoid valve (EVI-bypass)
HOTGAS BYPASS	Solenoid valve (Hotgas-bypass)
CCH OUT	Crank Case Heater (Compressor)
EVI BYPASS	Solenoid valve (EVI-bypass)
HOTGAS BYPASS	Solenoid valve (Hotgas-bypass)
CCH OUT	Crank Case Heater (Compressor)
EVI VALVE	Solenoid valve (EVI)
MAIN EEV	Electronic expansion valve (Main cooling)
EVI EEV	Electronic expansion valve (EVI)
HOTGAS BYPASS	Solenoid valve (Hotgas-bypass)
CCH OUT	Crank Case Heater (Compressor)
EVI BYPASS	Solenoid valve (EVI-bypass)
HOTGAS BYPASS	Solenoid valve (Hotgas-bypass)
CCH OUT	Crank Case Heater (Compressor)
EVI VALVE	Solenoid valve (EVI)
MAIN EEV	Electronic expansion valve (Main cooling)
EVI EEV	Electronic expansion valve (EVI)

NOTE

- This wiring diagram applies only to the outdoor unit.
- Colors blk: black, red: red, blu: blue, wht: white, yel: yellow, brn: brown, sky: skyblue, org: orange, grn: green
- When operating, don't shortcircuit the protection device (High Pressure switch)
- For connection wiring indoor-outdoor transmission F1-F2, outdoor-outdoor transmission OF1-OF2, refer to the installation manual.
- Protective earth(SCREW), : connector, : The wire quantity

6. Electrical Wiring Diagram

AM080BXMDGH/EU



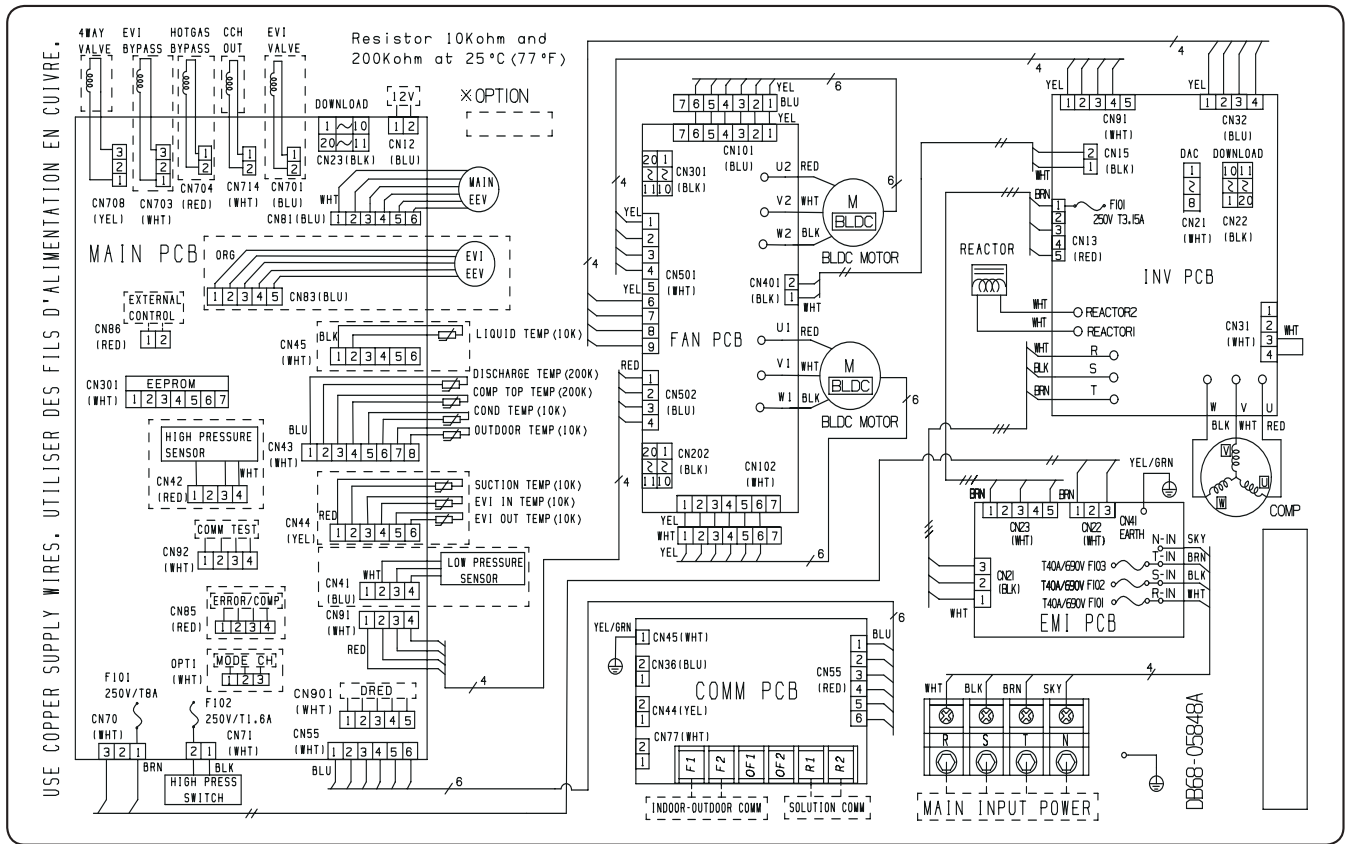
MAIN BOARD	Printed circuit board (Main)
INV PCB	Printed circuit board (Inverter)
EMI PCB	Printed circuit board (emi1)
COMM PCB	Printed circuit board (Communication)
COMP	Motor (Compressor)
BLDC MOTOR	Motor (ODU Fan)
REACTOR	DC_Reactor
4WAY VALVE	Solenoid valve (4WAY)
EVI BYPASS	Solenoid valve (EVI-bypass)
HOTGAS BYPASS	Solenoid valve (Hotgas-bypass)
CCH OUT	Crank Case Heater (Compressor)
EVI BYPASS	Solenoid valve (EVI-bypass)
HOTGAS BYPASS	Solenoid valve (Hotgas-bypass)
CCH OUT	Crank Case Heater (Compressor)
EVI VALVE	Solenoid valve (EVI)
MAIN EEV	Electronic expansion valve (Main cooling)
EVI EEV	Electronic expansion valve (EVI)
HOTGAS BYPASS	Solenoid valve (Hotgas-bypass)
CCH OUT	Crank Case Heater (Compressor)
EVI BYPASS	Solenoid valve (EVI-bypass)
HOTGAS BYPASS	Solenoid valve (Hotgas-bypass)
CCH OUT	Crank Case Heater (Compressor)
EVI VALVE	Solenoid valve (EVI)
MAIN EEV	Electronic expansion valve (Main cooling)
EVI EEV	Electronic expansion valve (EVI)

NOTE

- This wiring diagram applies only to the outdoor unit.
- Colors blk: black, red: red, blu: blue, wht: white, yel: yellow, brn: brown, sky: skyblue, org: orange, grn: green
- When operating, don't shortcircuit the protection device (High Pressure switch)
- For connection wiring indoor-outdoor transmission F1-F2, outdoor-outdoor transmission OF1-OF2, refer to the installation manual.
- Protective earth(SCREW), : connector, : The wire quantity

6. Electrical Wiring Diagram

AM100BXMWGH/EU, AM120BXMWGH/EU



MAIN PCB	Printed circuit board (Main)	EVI BYPASS	Solenoid valve (EVI-bypass)	T40A / 690	FUSE
FAN PCB	Printed circuit board (Fan)	HOTGAS BYPASS	Solenoid valve (Hotgas-bypass)	LIQUID TEMP	Thermistor (Liquid)
INV PCB	Printed circuit board (Inverter)	CCH OUT	Crank Case Heater (Compressor)	DISCHARGE TEMP	Thermistor (Discharge)
EMI PCB	Printed circuit board (emi1)	EVI BYPASS	Solenoid valve (EVI-bypass)	COMP TOP TEMP	Thermistor (Compressor Top)
COMM PCB	Printed circuit board (Communication)	HOTGAS BYPASS	Solenoid valve (Hotgas-bypass)	OUTDOOR TEMP	Thermistor (Air)
COMP	Motor (Compressor)	CCH OUT	Crank Case Heater (Compressor)	SUCTION TEMP	Thermistor (Suction)
BLDC MOTOR	Motor (ODU Fan)	EVI VALVE	Solenoid valve (EVI)	EVI IN TEMP	Thermistor (EVI IN)
REACTOR	DC_Reactor	MAIN EEV	Electronic expansion valve (Main cooling)	EVI OUT TEMP	Thermistor (EVI OUT)
4WAY VALVE	Solenoid valve (4WAY)	EVI EEV	Electronic expansion valve (EVI)		

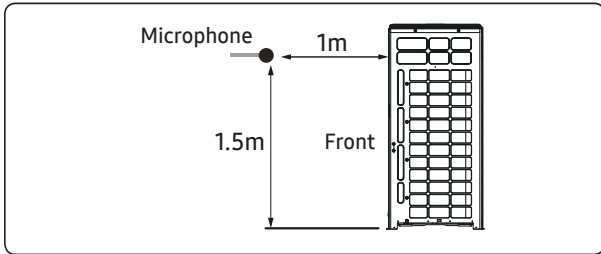
NOTE

- This wiring diagram applies only to the outdoor unit.
- Colors blk: black, red: red, blu: blue, wht: white, yel: yellow, brn: brown, sky: skyblue, org: orange, grn: green
- When operating, don't shortcircuit the protection device (High Pressure switch)
- For connection wiring indoor-outdoor transmission F1-F2, outdoor-outdoor transmission OF1-OF2, refer to the installation manual.
- Protective earth(SCREW), : connector, : The wire quantity

7. Sound Data

Sound Pressure level

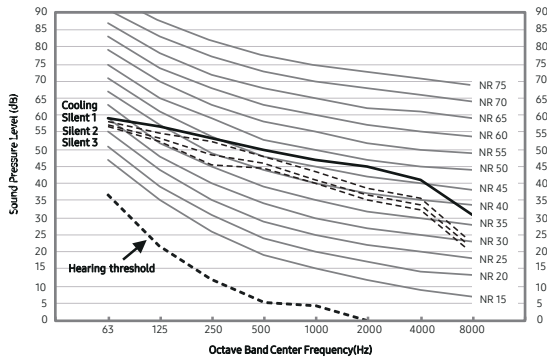
Unit: dB(A)



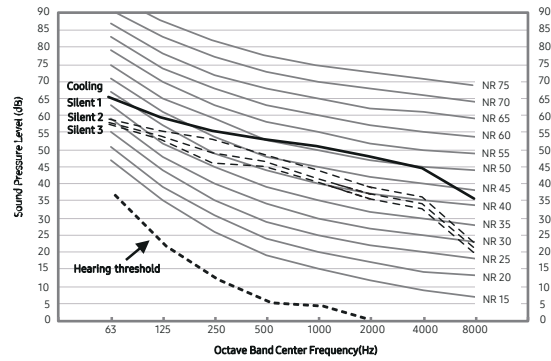
Model	Cooling	Silent 1	Silent 2	Silent 3
AM040BXMDEH/EU	53	50	48	47
AM050BXMDEH/EU	56	50	48	47
AM080BXMMDGH/EU	58	56	53	50
AM080BXMWGH/EU	58	53	50	47

• NR Curve

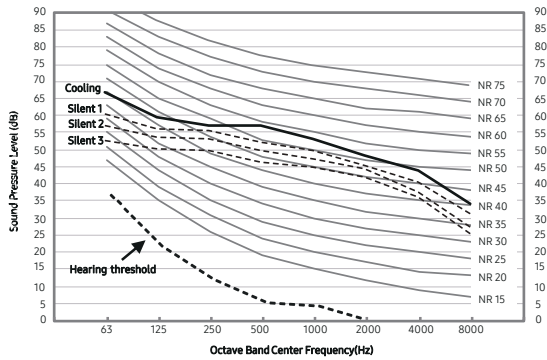
1) AM040BXMDEH/EU



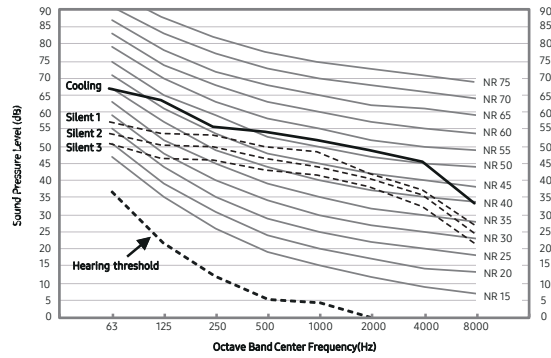
2) AM050BXMDEH/EU



3) AM080BXMMDGH/EU



4) AM080BXMWGH/EU



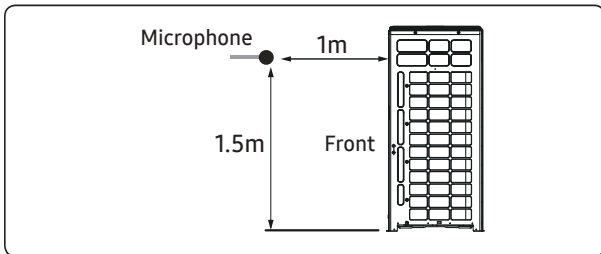
NOTE

- Specifications may be subject to change without prior notice.
 - Sound pressure level is obtained in an anechoic room.
 - Sound pressure level is a relative value, depending on the distance and acoustic environment.
 - Sound pressure level may differ depending on operation condition.
 - dBA = A-weighted sound pressure level
 - Reference acoustic pressure 0 dB = 20μPa

7. Sound Data

Sound Pressure level

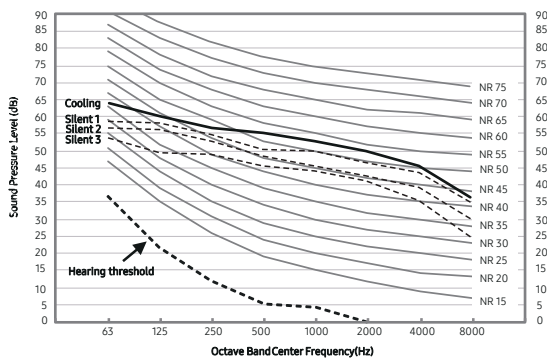
Unit: dB(A)



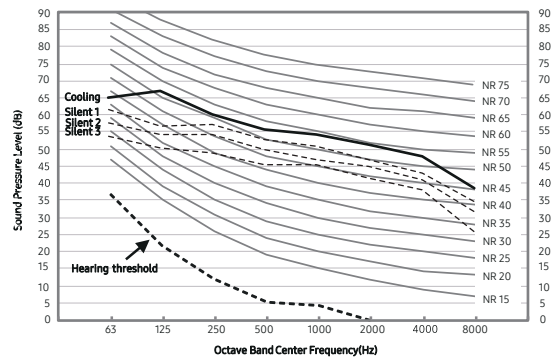
Model	Cooling	Silent 1	Silent 2	Silent 3
AM100BXMWGH/EU	58	55	52	49
AM120BXMWGH/EU	60	56	53	50

- NR Curve

5) AM100BXMWGH/EU



6) AM120BXMWGH/EU



NOTE

- Specifications may be subject to change without prior notice.
 - Sound pressure level is obtained in an anechoic room.
 - Sound pressure level is a relative value, depending on the distance and acoustic environment.
 - Sound pressure level may differ depending on operation condition.
 - dB(A) = A-weighted sound pressure level
 - Reference acoustic pressure 0 dB = 20μPa

7. Sound Data

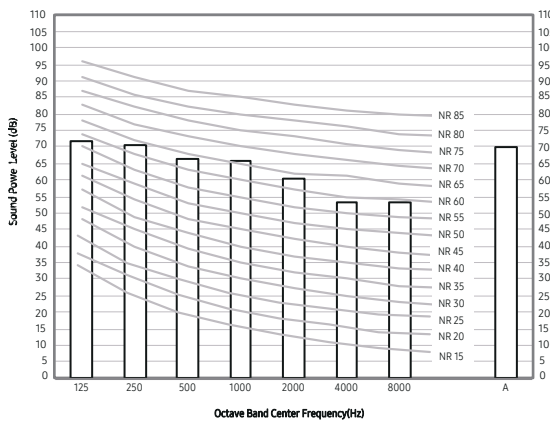
Sound Pressure level

Unit: dB(A)

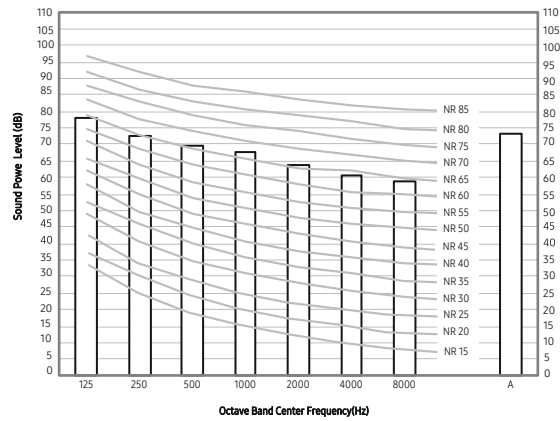
Model	Power
AM040BXMDEH/EU	70
AM050BXMDEH/EU	73
AM080BXMMDGH/EU	73
AM080BXMWGH/EU	73

- NR Curve

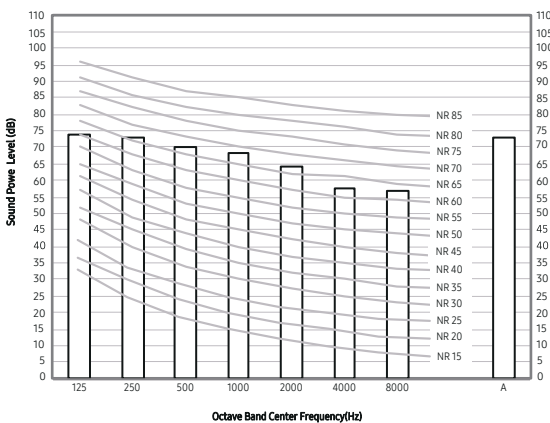
1) AM040BXMDEH/EU



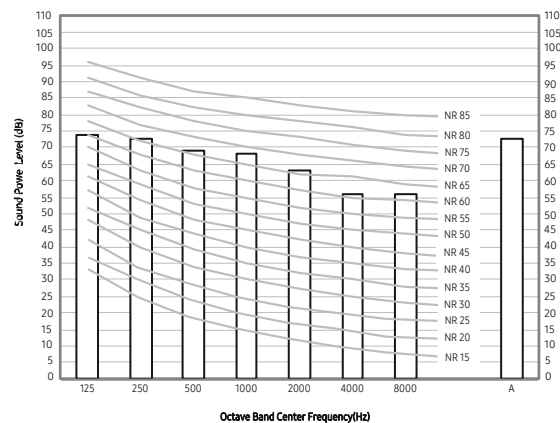
2) AM050BXMDEH/EU



3) AM080BXMMDGH/EU



4) AM080BXMWGH/EU



NOTE

- Specifications may be subject to change without prior notice.
 - Sound power level is an absolute value that a sound source generates.
 - dBA = A-weighted sound power level.
 - Reference power : 1pW.
 - Measured according to ISO 3741.

7. Sound Data

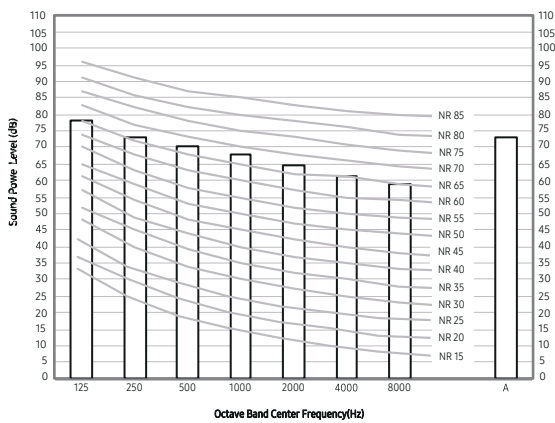
Sound Pressure level

Unit: dB(A)

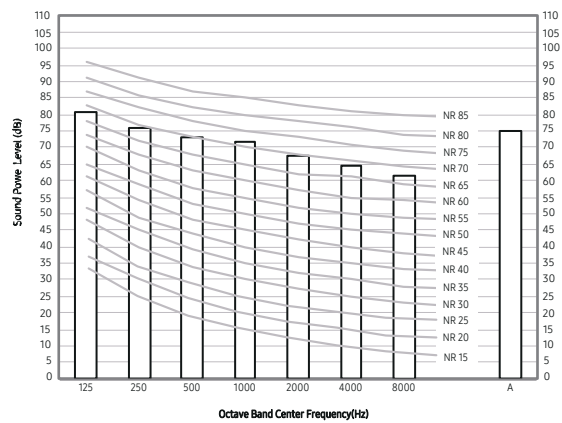
Model	Power
AM100BXMWGH/EU	74
AM120BXMWGH/EU	76

- NR Curve

5) AM100BXMWGH/EU



6) AM120BXMWGH/EU



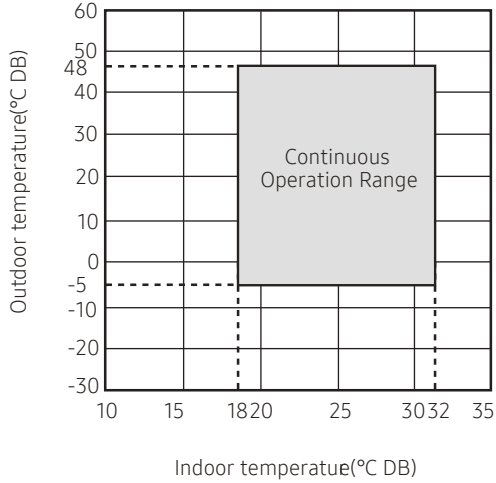
NOTE

- Specifications may be subject to change without prior notice.
 - Sound power level is an absolute value that a sound source generates.
 - dBA = A-weighted sound power level.
 - Reference power : 1pW.
 - Measured according to ISO 3741.

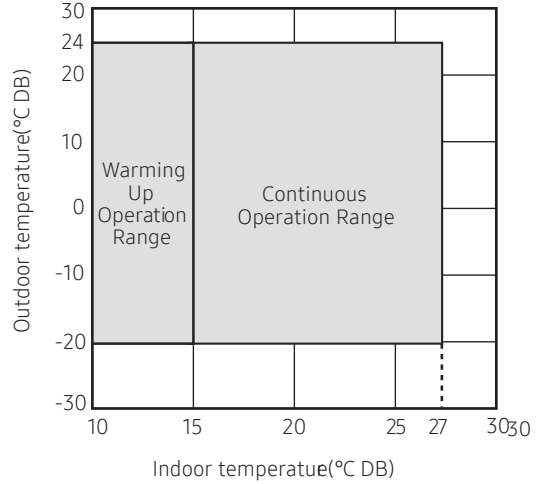
8. Operation Range

AM040BXMDEH/EU, AM050BXMDEH/EU, AM080BXMMDGH/EU, AM080BXMWGH/EU

Cooling

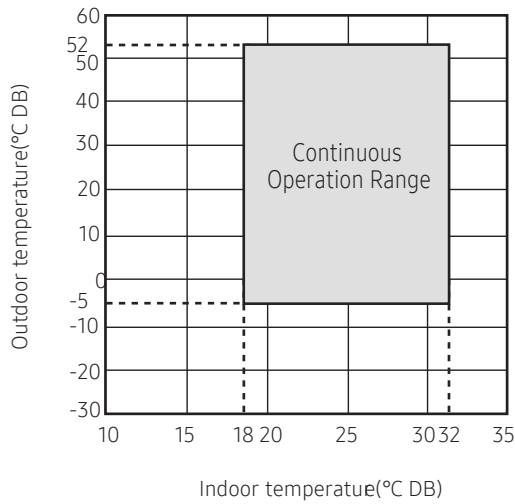


Heating

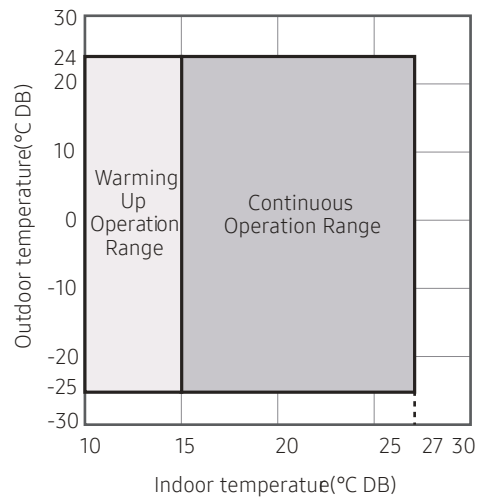


AM100BXMWGH/EU, AM120BXMWGH/EU

Cooling



Heating



NOTE

- The standardized temperature for heating is 7°C DB. If the outdoor temperature drops to 0°C DB or below, the heating capacity can be reduced depending on the temperature condition.
- The use of the air conditioner at a relative humidity above the expected one (80%) may cause the formation of condensate and the leakage of water drops on the floor.

8. Operation Range

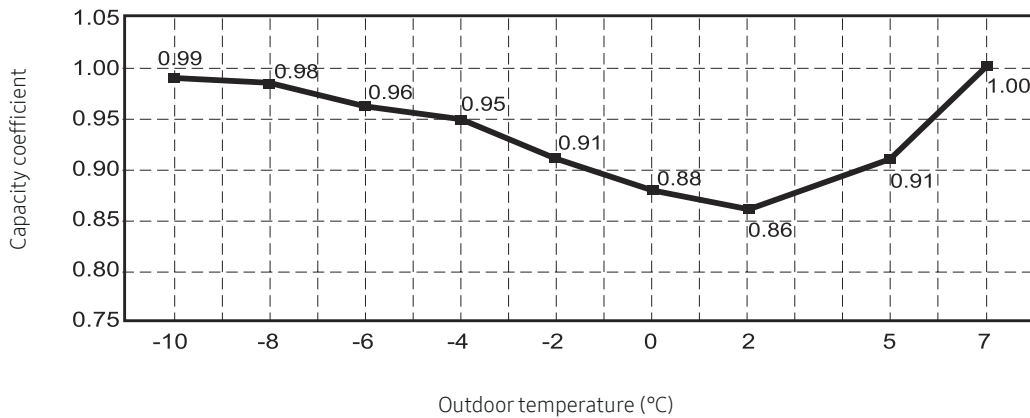
Defrosting correction factor

The heating capacity tables do not take account of the reduction in capacity, when frost has accumulated or while the defrosting operation is in progress. The capacity values, which take these factors into account, in other words, the integrated heating capacity values, can be calculated as follows :

- (1) Formula : $A = B \times C$
- (2) Integrated heating capacity = A
- (3) Value given in table of capacity characteristics = B
- (4) Integrating correction factor for frost accumulation (kW) = C

Outdoor temperature (°C, DB) / WB	-10 / -10.4	-8 / -8.5	-6 / -6.5	-4 / -4.6	-2 / -2.7	0 / -0.7	2 / 1.2	5 / 4.1	7 / 6
Capacity coefficient	0.99	0.98	0.96	0.95	0.91	0.88	0.86	0.91	1.00

Capacity coefficient of outdoor unit on defrost operation



On heating operation, frost can be formed on heat exchanger according to outdoor temperature. (Frost on heat exchanger results in decreasing the performance.)

To remove frost on heat exchanger of outdoor unit, defrost operation is carried out periodically.

During defrost operation, capacity of outdoor unit may decrease.

The decrement is not considered to the individual capacity tables.

This figure shows an effect of intelligence defrost operation

It is actually the frost occurrence section from 0 °C or less.

Since the outdoor temperature over 0 °C, the heating performance is the same before and after applying intelligence defrost operation

In outdoor conditions below 0 °C, frost conditions reflect the actual entering the defrost operation because heating performance is improved

10. Capacity Table

AM040BXMDEH

Cooling

TC : Total Capacity, PI : Power Input

Combination, % (Capacity index)	Outdoor temperature (°C, DB)	Indoor temperature (°C, WB)													
		14		16		18		19		20		22		24	
		TC kW	PI kW	TC kW	PI kW	TC kW	PI kW	TC kW	PI kW	TC kW	PI kW	TC kW	PI kW	TC kW	PI kW
90	10	7.10	0.78	8.60	0.97	10.10	1.17	10.90	1.28	11.50	1.38	12.90	1.61	14.20	1.87
	12	7.10	0.82	8.60	1.02	10.10	1.23	10.90	1.35	11.50	1.46	12.90	1.71	14.20	1.99
	14	7.10	0.86	8.60	1.07	10.10	1.30	10.90	1.43	11.50	1.55	12.90	1.81	14.20	2.12
	16	7.10	0.90	8.60	1.13	10.10	1.38	10.90	1.52	11.50	1.65	12.90	1.94	14.20	2.26
	18	7.10	0.95	8.60	1.20	10.10	1.47	10.90	1.62	11.50	1.76	12.90	2.07	14.20	2.43
	20	7.10	1.01	8.60	1.27	10.10	1.57	10.90	1.73	11.50	1.88	12.90	2.22	14.20	2.61
	21	7.10	1.04	8.60	1.31	10.10	1.62	10.90	1.79	11.50	1.95	12.90	2.30	14.20	2.70
	23	7.10	1.11	8.60	1.40	10.10	1.74	10.90	1.92	11.50	2.09	12.90	2.47	14.20	2.91
	25	7.10	1.18	8.60	1.50	10.10	1.87	10.90	2.06	11.50	2.25	12.90	2.67	14.20	3.14
	27	7.10	1.27	8.60	1.62	10.10	2.01	10.90	2.22	11.50	2.42	12.90	2.88	14.20	3.39
	29	7.10	1.36	8.60	1.74	10.10	2.16	10.90	2.39	11.50	2.61	12.90	3.10	14.20	3.66
	31	7.10	1.46	8.60	1.87	10.10	2.33	10.90	2.58	11.50	2.82	12.90	3.35	14.20	3.95
	33	7.10	1.58	8.60	2.02	10.10	2.52	10.90	2.79	11.50	3.05	12.90	3.62	14.20	4.27
	35	7.10	1.70	8.60	2.18	10.10	2.72	10.90	3.01	11.50	3.29	12.90	3.91	13.60	4.16
	37	7.10	1.84	8.60	2.35	10.10	2.94	10.90	3.25	11.50	3.55	12.60	4.01	12.80	4.06
	39	7.10	1.98	8.60	2.54	10.10	3.17	10.90	3.51	11.40	3.64	11.90	3.90	12.10	3.95
	43	7.10	2.31	8.50	2.80	9.30	3.14	9.60	3.30	10.00	3.42	10.40	3.69	10.70	3.74
	46	6.70	2.30	7.40	2.64	8.20	2.98	8.60	3.14	8.90	3.27	9.30	3.53	9.60	3.58
48	5.90	2.19	6.70	2.53	7.50	2.87	7.80	3.03	8.20	3.16	8.60	3.42	8.80	3.47	
80	10	6.30	0.67	7.70	0.84	9.00	1.01	9.70	1.11	10.30	1.19	11.40	1.39	12.60	1.61
	12	6.30	0.70	7.70	0.87	9.00	1.06	9.70	1.16	10.30	1.25	11.40	1.46	12.60	1.70
	14	6.30	0.73	7.70	0.92	9.00	1.12	9.70	1.22	10.30	1.32	11.40	1.55	12.60	1.81
	16	6.30	0.77	7.70	0.97	9.00	1.18	9.70	1.30	10.30	1.40	11.40	1.65	12.60	1.92
	18	6.30	0.81	7.70	1.02	9.00	1.25	9.70	1.38	10.30	1.49	11.40	1.76	12.60	2.06
	20	6.30	0.86	7.70	1.08	9.00	1.33	9.70	1.47	10.30	1.60	11.40	1.88	12.60	2.21
	21	6.30	0.88	7.70	1.12	9.00	1.38	9.70	1.52	10.30	1.65	11.40	1.95	12.60	2.29
	23	6.30	0.94	7.70	1.19	9.00	1.47	9.70	1.63	10.30	1.77	11.40	2.09	12.60	2.46
	25	6.30	1.00	7.70	1.28	9.00	1.58	9.70	1.74	10.30	1.90	11.40	2.25	12.60	2.65
	27	6.30	1.07	7.70	1.37	9.00	1.69	9.70	1.88	10.30	2.04	11.40	2.42	12.60	2.85
	29	6.30	1.15	7.70	1.47	9.00	1.82	9.70	2.02	10.30	2.20	11.40	2.61	12.60	3.08
	31	6.30	1.23	7.70	1.58	9.00	1.97	9.70	2.18	10.30	2.38	11.40	2.82	12.60	3.33
	33	6.30	1.33	7.70	1.71	9.00	2.12	9.70	2.35	10.30	2.56	11.40	3.05	12.60	3.59
	35	6.30	1.43	7.70	1.84	9.00	2.29	9.70	2.54	10.30	2.77	11.40	3.29	12.60	3.88
	37	6.30	1.54	7.70	1.99	9.00	2.47	9.70	2.74	10.30	2.99	11.40	3.55	12.50	3.98
	39	6.30	1.67	7.70	2.15	9.00	2.67	9.70	2.96	10.30	3.23	11.40	3.64	11.80	3.87
	43	6.30	1.94	7.70	2.50	8.70	2.94	9.00	3.09	9.30	3.20	9.90	3.43	10.30	3.66
	46	6.30	2.05	6.90	2.49	7.60	2.78	8.00	2.93	8.20	3.04	8.80	3.27	9.30	3.50
48	5.50	1.94	6.20	2.39	6.90	2.68	7.20	2.83	7.50	2.93	8.10	3.16	8.50	3.39	
70	10	5.50	0.57	6.70	0.71	7.90	0.86	8.50	0.94	9.00	1.02	10.00	1.18	11.00	1.37
	12	5.50	0.59	6.70	0.74	7.90	0.90	8.50	0.99	9.00	1.07	10.00	1.24	11.00	1.44
	14	5.50	0.62	6.70	0.78	7.90	0.94	8.50	1.04	9.00	1.12	10.00	1.31	11.00	1.53
	16	5.50	0.65	6.70	0.82	7.90	0.99	8.50	1.09	9.00	1.19	10.00	1.39	11.00	1.62
	18	5.50	0.68	6.70	0.86	7.90	1.05	8.50	1.16	9.00	1.26	10.00	1.48	11.00	1.73
	20	5.50	0.72	6.70	0.91	7.90	1.12	8.50	1.23	9.00	1.34	10.00	1.58	11.00	1.85
	21	5.50	0.74	6.70	0.94	7.90	1.15	8.50	1.27	9.00	1.38	10.00	1.63	11.00	1.91
	23	5.50	0.78	6.70	1.00	7.90	1.23	8.50	1.36	9.00	1.48	10.00	1.74	11.00	2.05
	25	5.50	0.84	6.70	1.07	7.90	1.32	8.50	1.46	9.00	1.58	10.00	1.87	11.00	2.20
	27	5.50	0.89	6.70	1.14	7.90	1.41	8.50	1.56	9.00	1.70	10.00	2.02	11.00	2.37
	29	5.50	0.96	6.70	1.22	7.90	1.52	8.50	1.68	9.00	1.83	10.00	2.17	11.00	2.56
	31	5.50	1.03	6.70	1.32	7.90	1.63	8.50	1.81	9.00	1.97	10.00	2.34	11.00	2.76
	33	5.50	1.10	6.70	1.42	7.90	1.76	8.50	1.95	9.00	2.13	10.00	2.53	11.00	2.98
	35	5.50	1.19	6.70	1.53	7.90	1.90	8.50	2.11	9.00	2.30	10.00	2.73	11.00	3.22
	37	5.50	1.28	6.70	1.65	7.90	2.05	8.50	2.28	9.00	2.48	10.00	2.95	11.00	3.48
	39	5.50	1.39	6.70	1.78	7.90	2.22	8.50	2.46	9.00	2.68	10.00	3.18	11.00	3.75
	43	5.50	1.62	6.70	2.08	7.90	2.58	8.40	2.71	8.70	2.96	9.20	3.15	9.70	3.54
	46	5.50	1.81	6.50	2.19	7.10	2.42	7.30	2.55	7.60	2.80	8.10	2.99	8.60	3.38
48	5.10	1.83	5.70	2.09	6.30	2.32	6.60	2.44	6.90	2.69	7.40	2.88	7.90	3.27	
60	10	4.70	0.47	5.70	0.59	6.80	0.72	7.30	0.79	7.70	0.85	8.60	0.99	9.40	1.15
	12	4.70	0.49	5.70	0.61	6.80	0.75	7.30	0.82	7.70	0.89	8.60	1.04	9.40	1.21
	14	4.70	0.51	5.70	0.64	6.80	0.79	7.30	0.86	7.70	0.94	8.60	1.09	9.40	1.27
	16	4.70	0.54	5.70	0.67	6.80	0.83	7.30	0.91	7.70	0.99	8.60	1.16	9.40	1.35
	18	4.70	0.56	5.70	0.71	6.80	0.87	7.30	0.96	7.70	1.04	8.60	1.22	9.40	1.43
	20	4.70	0.59	5.70	0.75	6.80	0.92	7.30	1.02	7.70	1.11	8.60	1.30	9.40	1.52
	21	4.70	0.61	5.70	0.77	6.80	0.95	7.30	1.05	7.70	1.14	8.60	1.34	9.40	1.57
	23	4.70	0.64	5.70	0.82	6.80	1.01	7.30	1.12	7.70	1.22	8.60	1.44	9.40	1.69
	25	4.70	0.69	5.70	0.87	6.80	1.08	7.30	1.19	7.70	1.30	8.60	1.54	9.40	1.81
	27	4.70	0.73	5.70	0.93	6.80	1.16	7.30	1.28	7.70	1.40	8.60	1.65	9.40	1.94
	29	4.70	0.78	5.70	1.00	6.80	1.24	7.30	1.38	7.70	1.50	8.60	1.78	9.40	2.09
	31	4.70	0.84	5.70	1.07	6.80	1.33	7.30	1.48	7.70	1.62	8.60	1.92	9.40	2.26
	33	4.70	0.90	5.70	1.15	6.80	1.44	7.30	1.59	7.70	1.74	8.60	2.07	9.40	2.44
	35	4.70	0.97	5.70	1.24	6.80	1.55	7.30	1.72	7.70	1.88	8.60	2.23	9.40	2.63
	37	4.70	1.05	5.70	1.34	6.80	1.67	7.30	1.86	7.70	2.03	8.60	2.41	9.40	2.84
	39	4.70	1.13	5.70	1.44	6.80	1.81	7.30	2.01	7.70	2.19	8.60	2.60	9.40	3.07
	43	4.70	1.32	5.70	1.69	6.80	2.11	7.30	2.34	7.70	2.56	8.50	2.87	8.90	3.21
	46	4.70	1.48	5.70	1.89	6.50	2.22	6.70	2.32	7.00	2.40	7.40	2.71	7.80	3.05
48	4.70	1.60	5.30	1.78	5.80	2.12	6.00	2.22	6.20	2.29	6.70	2.60	7.10	2.94	

10. Capacity Table

AM040BXMDEH

Cooling

TC : Total Capacity, PI : Power Input

Combination, % (Capacity index)	Outdoor temperature (°C, DB)	Indoor temperature (°C, WB)													
		14		16		18		19		20		22		24	
		TC kW	PI kW	TC kW	PI kW	TC kW	PI kW	TC kW	PI kW	TC kW	PI kW	TC kW	PI kW	TC kW	PI kW
50	10	3.90	0.38	4.80	0.48	5.60	0.59	6.10	0.65	6.40	0.70	7.10	0.81	7.90	0.94
	12	3.90	0.40	4.80	0.50	5.60	0.61	6.10	0.67	6.40	0.73	7.10	0.85	7.90	0.99
	14	3.90	0.41	4.80	0.52	5.60	0.64	6.10	0.70	6.40	0.76	7.10	0.89	7.90	1.04
	16	3.90	0.43	4.80	0.55	5.60	0.67	6.10	0.74	6.40	0.80	7.10	0.94	7.90	1.09
	18	3.90	0.45	4.80	0.57	5.60	0.70	6.10	0.78	6.40	0.84	7.10	0.99	7.90	1.16
	20	3.90	0.48	4.80	0.60	5.60	0.74	6.10	0.82	6.40	0.89	7.10	1.05	7.90	1.23
	21	3.90	0.49	4.80	0.62	5.60	0.76	6.10	0.85	6.40	0.92	7.10	1.08	7.90	1.27
	23	3.90	0.52	4.80	0.66	5.60	0.81	6.10	0.90	6.40	0.97	7.10	1.15	7.90	1.35
	25	3.90	0.55	4.80	0.70	5.60	0.86	6.10	0.96	6.40	1.04	7.10	1.23	7.90	1.45
	27	3.90	0.58	4.80	0.75	5.60	0.92	6.10	1.03	6.40	1.11	7.10	1.32	7.90	1.55
	29	3.90	0.62	4.80	0.80	5.60	0.99	6.10	1.10	6.40	1.19	7.10	1.42	7.90	1.67
	31	3.90	0.67	4.80	0.86	5.60	1.06	6.10	1.18	6.40	1.28	7.10	1.52	7.90	1.80
	33	3.90	0.72	4.80	0.92	5.60	1.14	6.10	1.27	6.40	1.38	7.10	1.64	7.90	1.94
	35	3.90	0.77	4.80	0.99	5.60	1.23	6.10	1.37	6.40	1.49	7.10	1.77	7.90	2.09
	37	3.90	0.83	4.80	1.07	5.60	1.33	6.10	1.48	6.40	1.61	7.10	1.91	7.90	2.26
	39	3.90	0.90	4.80	1.15	5.60	1.43	6.10	1.60	6.40	1.74	7.10	2.06	7.90	2.44
43	3.90	1.04	4.80	1.34	5.60	1.67	6.10	1.86	6.40	2.03	7.10	2.41	7.90	2.84	
46	3.90	1.17	4.80	1.51	5.60	1.88	6.10	2.09	6.30	2.13	6.70	2.39	7.00	2.68	
48	3.90	1.27	4.70	1.63	5.20	1.77	5.40	1.98	5.60	2.03	6.00	2.29	6.30	2.58	

NOTE

- The performance table shows the average value of each conditions.

10. Capacity Table

AM040BXMDEH

Heating

TC : Total Capacity, PI : Power Input

Combination, % (Capacity index)	Outdoor temperature (°C, DB)		Indoor temperature (°C, DB)												
			16		18		20		22		24				
			TC	PI	TC	PI	TC	PI	TC	PI	TC	PI			
130	DB	WB													
	-20.0	-20.2	11.60	3.74	11.40	3.93	11.10	4.13	10.90	4.39	10.60	4.68			
	-17.0	-17.3	12.90	4.03	12.70	4.23	12.50	4.42	12.20	4.68	11.30	4.78			
	-15.0	-15.3	13.80	4.23	13.60	4.42	13.40	4.62	12.90	4.81	11.70	4.85			
	-12.0	-12.4	15.20	4.52	15.00	4.72	14.60	4.91	13.50	4.91	12.40	4.94			
	-10.0	-10.5	16.10	4.72	15.90	4.91	15.00	4.98	14.00	4.98	12.80	5.01			
	-7.0	-7.6	17.20	5.01	16.20	5.01	15.30	5.01	14.10	5.01	13.00	5.01			
	-5.0	-5.6	17.30	5.01	16.30	5.01	15.40	5.01	14.30	5.01	13.20	5.01			
	-3.0	-3.7	17.40	5.01	16.50	5.01	15.50	5.01	14.40	5.01	13.30	5.01			
	0.0	-0.7	17.60	5.01	16.60	5.01	15.70	5.01	14.60	5.01	13.50	5.01			
	3.0	2.2	17.80	5.01	16.80	5.01	15.90	5.01	14.80	5.01	13.70	4.85			
	5.0	4.1	17.90	5.01	17.00	5.01	16.00	5.01	14.90	5.01	13.70	4.51			
	7.0	6.0	18.00	5.01	17.10	5.01	16.10	5.01	15.00	4.73	13.70	4.20			
	9.0	7.9	18.20	5.01	17.20	5.01	16.30	4.94	15.00	4.42	13.70	3.93			
	11.0	9.8	18.30	5.01	17.30	5.01	16.30	4.63	15.00	4.15	13.70	3.70			
	13.0	11.8	18.40	5.01	17.40	4.76	16.30	4.34	15.00	3.90	13.70	3.49			
15.0	13.7	18.50	4.89	17.40	4.48	16.30	4.09	15.00	3.69	13.70	3.30				
120	-20.0	-20.2	11.30	4.00	11.10	4.13	10.90	4.33	10.70	4.62	9.90	4.68			
	-17.0	-17.3	12.70	4.29	12.50	4.42	12.20	4.62	11.50	4.78	10.60	4.78			
	-15.0	-15.3	13.60	4.49	13.40	4.62	13.00	4.81	11.90	4.85	11.10	4.85			
	-12.0	-12.4	14.90	4.78	14.50	4.91	13.60	4.91	12.60	4.94	11.70	4.94			
	-10.0	-10.5	15.80	4.98	15.00	4.98	14.10	4.98	13.10	5.01	12.10	5.01			
	-7.0	-7.6	16.00	5.01	15.20	5.01	14.30	5.01	13.20	5.01	12.30	5.01			
	-5.0	-5.6	16.20	5.01	15.30	5.01	14.40	5.01	13.40	5.01	12.40	5.01			
	-3.0	-3.7	16.30	5.01	15.40	5.01	14.50	5.01	13.50	5.01	12.50	5.01			
	0.0	-0.7	16.50	5.01	15.60	5.01	14.70	5.01	13.70	5.01	12.60	4.61			
	3.0	2.2	16.70	5.01	15.80	5.01	14.90	5.01	13.80	4.65	12.60	4.12			
	5.0	4.1	16.80	5.01	15.90	5.01	15.00	4.85	13.80	4.32	12.60	3.83			
	7.0	6.0	16.90	5.01	16.10	4.98	15.00	4.51	13.80	4.03	12.60	3.58			
	9.0	7.9	17.00	5.01	16.10	4.65	15.00	4.21	13.80	3.77	12.60	3.36			
	11.0	9.8	17.10	4.76	16.10	4.35	15.00	3.95	13.80	3.54	12.60	3.16			
	13.0	11.8	17.10	4.46	16.10	4.08	15.00	3.72	13.80	3.34	12.60	2.99			
	15.0	13.7	17.10	4.20	16.10	3.85	15.00	3.51	13.80	3.16	12.60	2.84			
110	-20.0	-20.2	11.00	4.20	10.80	4.39	10.60	4.55	10.00	4.68	9.20	4.68			
	-17.0	-17.3	12.40	4.49	12.20	4.68	11.60	4.78	10.70	4.78	9.90	4.78			
	-15.0	-15.3	13.30	4.68	12.80	4.81	12.00	4.85	11.20	4.85	10.30	4.85			
	-12.0	-12.4	14.20	4.91	13.50	4.91	12.70	4.94	11.80	4.94	11.00	4.94			
	-10.0	-10.5	14.70	4.98	13.90	4.98	13.10	5.01	12.20	5.01	11.30	5.01			
	-7.0	-7.6	14.90	5.01	14.10	5.01	13.30	5.01	12.40	5.01	11.50	5.01			
	-5.0	-5.6	15.00	5.01	14.20	5.01	13.40	5.01	12.50	5.01	11.60	4.73			
	-3.0	-3.7	15.10	5.01	14.30	5.01	13.60	5.01	12.70	4.96	11.60	4.37			
	0.0	-0.7	15.30	5.01	14.50	5.01	13.80	4.97	12.70	4.41	11.60	3.89			
	3.0	2.2	15.50	5.01	14.70	4.91	13.80	4.43	12.70	3.95	11.60	3.49			
	5.0	4.1	15.60	5.01	14.70	4.55	13.80	4.12	12.70	3.67	11.60	3.25			
	7.0	6.0	15.70	4.66	14.70	4.24	13.80	3.84	12.70	3.43	11.60	3.04			
	9.0	7.9	15.70	4.35	14.70	3.96	13.80	3.60	12.70	3.22	11.60	2.86			
	11.0	9.8	15.70	4.07	14.70	3.72	13.80	3.38	12.70	3.03	11.60	2.69			
	13.0	11.8	15.70	3.83	14.70	3.50	13.80	3.18	12.70	2.86	11.60	2.55			
	15.0	13.7	15.70	3.61	14.70	3.31	13.80	3.01	12.70	2.72	11.60	2.43			
100	-20.0	-20.2	10.70	4.46	10.60	4.62	10.00	4.68	9.20	4.68	8.40	4.54			
	-17.0	-17.3	12.00	4.75	11.30	4.78	10.60	4.78	9.90	4.78	9.10	4.64			
	-15.0	-15.3	12.50	4.81	11.70	4.85	11.10	4.85	10.30	4.85	9.60	4.71			
	-12.0	-12.4	13.20	4.91	12.40	4.94	11.80	4.94	11.00	4.94	10.20	4.81			
	-10.0	-10.5	13.60	4.98	12.80	5.01	12.10	5.01	11.30	5.01	10.50	4.87			
	-7.0	-7.6	13.80	5.01	13.00	5.01	12.30	5.01	11.50	4.90	10.50	4.31			
	-5.0	-5.6	13.90	5.01	13.10	5.01	12.40	5.01	11.50	4.53	10.50	3.98			
	-3.0	-3.7	14.00	5.01	13.30	5.01	12.50	4.71	11.50	4.18	10.50	3.68			
	0.0	-0.7	14.20	5.01	13.40	4.65	12.50	4.20	11.50	3.73	10.50	3.29			
	3.0	2.2	14.30	4.56	13.40	4.15	12.50	3.75	11.50	3.34	10.50	2.95			
	5.0	4.1	14.30	4.24	13.40	3.86	12.50	3.49	11.50	3.11	10.50	2.75			
	7.0	6.0	14.30	3.95	13.40	3.60	12.50	3.26	11.50	2.91	10.50	2.58			
	9.0	7.9	14.30	3.70	13.40	3.37	12.50	3.06	11.50	2.73	10.50	2.43			
	11.0	9.8	14.30	3.47	13.40	3.17	12.50	2.88	11.50	2.58	10.50	2.30			
	13.0	11.8	14.30	3.27	13.40	2.99	12.50	2.72	11.50	2.44	10.50	2.18			
	15.0	13.7	14.30	3.09	13.40	2.83	12.50	2.58	11.50	2.32	10.50	2.08			

10. Capacity Table

AM040BXMDEH

Heating

TC : Total Capacity, PI : Power Input

Combination, % (Capacity index)	Outdoor temperature (°C, DB)		Indoor temperature (°C, DB)											
			16		18		20		22		24			
			TC	PI	TC	PI	TC	PI	TC	PI	TC	PI		
90	DB	WB												
	-20.0	-20.2	10.20	4.68	9.60	4.68	9.00	4.68	8.30	4.42	7.40	4.07		
	-17.0	-17.3	10.90	4.78	10.30	4.78	9.70	4.78	9.00	4.52	8.10	4.17		
	-15.0	-15.3	11.30	4.85	10.70	4.85	10.10	4.85	9.40	4.59	8.60	4.23		
	-12.0	-12.4	12.00	4.94	11.40	4.94	10.80	4.94	10.10	4.68	9.20	4.33		
	-10.0	-10.5	12.40	5.01	11.70	5.01	11.10	5.01	10.40	4.75	9.50	4.19		
	-7.0	-7.6	12.60	5.01	11.90	5.01	11.30	4.75	10.40	4.21	9.50	3.71		
	-5.0	-5.6	12.70	5.01	12.00	4.85	11.30	4.38	10.40	3.88	9.50	3.43		
	-3.0	-3.7	12.80	4.95	12.00	4.48	11.30	4.05	10.40	3.59	9.50	3.18		
	0.0	-0.7	12.80	4.41	12.00	3.99	11.30	3.61	10.40	3.21	9.50	2.84		
	3.0	2.2	12.80	3.94	12.00	3.57	11.30	3.23	10.40	2.88	9.50	2.55		
	5.0	4.1	12.80	3.66	12.00	3.33	11.30	3.02	10.40	2.69	9.50	2.39		
	7.0	6.0	12.80	3.42	12.00	3.11	11.30	2.82	10.40	2.52	9.50	2.24		
	9.0	7.9	12.80	3.21	12.00	2.92	11.30	2.65	10.40	2.37	9.50	2.11		
	11.0	9.8	12.80	3.02	12.00	2.75	11.30	2.50	10.40	2.24	9.50	2.00		
13.0	11.8	12.80	2.85	12.00	2.60	11.30	2.37	10.40	2.13	9.50	1.90			
15.0	13.7	12.80	2.70	12.00	2.47	11.30	2.25	10.40	2.03	9.50	1.82			
80	-20.0	-20.2	9.10	4.68	8.60	4.68	8.00	4.20	7.20	3.91	6.40	3.39		
	-17.0	-17.3	9.80	4.78	9.20	4.78	8.60	4.30	7.90	4.00	7.10	3.49		
	-15.0	-15.3	10.20	4.85	9.70	4.85	9.10	4.36	8.30	4.07	7.60	3.55		
	-12.0	-12.4	10.90	4.94	10.40	4.94	9.80	4.46	9.00	4.17	8.20	3.65		
	-10.0	-10.5	11.20	5.01	10.60	5.01	10.00	4.53	9.20	4.03	8.40	3.54		
	-7.0	-7.6	11.40	4.93	10.70	4.45	10.00	4.01	9.20	3.57	8.40	3.14		
	-5.0	-5.6	11.40	4.55	10.70	4.11	10.00	3.70	9.20	3.30	8.40	2.90		
	-3.0	-3.7	11.40	4.21	10.70	3.80	10.00	3.43	9.20	3.06	8.40	2.69		
	0.0	-0.7	11.40	3.75	10.70	3.39	10.00	3.06	9.20	2.74	8.40	2.41		
	3.0	2.2	11.40	3.36	10.70	3.04	10.00	2.75	9.20	2.46	8.40	2.17		
	5.0	4.1	11.40	3.13	10.70	2.84	10.00	2.57	9.20	2.30	8.40	2.03		
	7.0	6.0	11.40	2.93	10.70	2.66	10.00	2.41	9.20	2.16	8.40	1.91		
	9.0	7.9	11.40	2.75	10.70	2.50	10.00	2.27	9.20	2.04	8.40	1.81		
	11.0	9.8	11.40	2.60	10.70	2.36	10.00	2.15	9.20	1.93	8.40	1.71		
	13.0	11.8	11.40	2.46	10.70	2.24	10.00	2.04	9.20	1.84	8.40	1.63		
15.0	13.7	11.40	2.34	10.70	2.14	10.00	1.95	9.20	1.75	8.40	1.56			
70	-20.0	-20.2	7.90	4.31	7.30	4.08	6.80	3.65	6.10	3.20	5.40	2.78		
	-17.0	-17.3	8.60	4.41	8.00	4.18	7.40	3.75	6.80	3.30	6.10	2.88		
	-15.0	-15.3	9.10	4.47	8.50	4.24	7.90	3.81	7.20	3.37	6.60	2.94		
	-12.0	-12.4	9.70	4.57	9.10	4.34	8.60	3.91	7.90	3.46	7.20	3.04		
	-10.0	-10.5	10.00	4.64	9.40	4.20	8.80	3.79	8.10	3.36	7.40	2.95		
	-7.0	-7.6	10.00	4.11	9.40	3.72	8.80	3.36	8.10	2.98	7.40	2.62		
	-5.0	-5.6	10.00	3.80	9.40	3.44	8.80	3.11	8.10	2.76	7.40	2.43		
	-3.0	-3.7	10.00	3.51	9.40	3.19	8.80	2.88	8.10	2.55	7.40	2.25		
	0.0	-0.7	10.00	3.14	9.40	2.85	8.80	2.58	8.10	2.29	7.40	2.02		
	3.0	2.2	10.00	2.82	9.40	2.56	8.80	2.32	8.10	2.07	7.40	1.82		
	5.0	4.1	10.00	2.63	9.40	2.40	8.80	2.17	8.10	1.94	7.40	1.71		
	7.0	6.0	10.00	2.47	9.40	2.25	8.80	2.04	8.10	1.82	7.40	1.61		
	9.0	7.9	10.00	2.33	9.40	2.12	8.80	1.93	8.10	1.72	7.40	1.52		
	11.0	9.8	10.00	2.20	9.40	2.01	8.80	1.83	8.10	1.63	7.40	1.45		
	13.0	11.8	10.00	2.09	9.40	1.91	8.80	1.74	8.10	1.56	7.40	1.38		
15.0	13.7	10.00	2.00	9.40	1.83	8.80	1.66	8.10	1.49	7.40	1.33			
60	-20.0	-20.2	6.60	3.65	6.10	3.28	5.60	2.93	5.00	2.57	4.40	2.23		
	-17.0	-17.3	7.30	3.75	6.80	3.38	6.30	3.03	5.70	2.67	5.10	2.33		
	-15.0	-15.3	7.70	3.81	7.20	3.44	6.70	3.09	6.10	2.74	5.60	2.40		
	-12.0	-12.4	8.40	3.91	7.90	3.54	7.40	3.19	6.80	2.84	6.20	2.49		
	-10.0	-10.5	8.60	3.79	8.00	3.43	7.50	3.10	6.90	2.76	6.30	2.43		
	-7.0	-7.6	8.60	3.36	8.00	3.04	7.50	2.75	6.90	2.45	6.30	2.16		
	-5.0	-5.6	8.60	3.11	8.00	2.82	7.50	2.55	6.90	2.27	6.30	2.00		
	-3.0	-3.7	8.60	2.88	8.00	2.61	7.50	2.36	6.90	2.10	6.30	1.86		
	0.0	-0.7	8.60	2.58	8.00	2.34	7.50	2.12	6.90	1.89	6.30	1.67		
	3.0	2.2	8.60	2.32	8.00	2.11	7.50	1.91	6.90	1.71	6.30	1.51		
	5.0	4.1	8.60	2.17	8.00	1.98	7.50	1.80	6.90	1.60	6.30	1.42		
	7.0	6.0	8.60	2.04	8.00	1.86	7.50	1.69	6.90	1.51	6.30	1.34		
	9.0	7.9	8.60	1.93	8.00	1.76	7.50	1.60	6.90	1.43	6.30	1.27		
	11.0	9.8	8.60	1.83	8.00	1.67	7.50	1.52	6.90	1.36	6.30	1.21		
	13.0	11.8	8.60	1.74	8.00	1.59	7.50	1.45	6.90	1.30	6.30	1.16		
15.0	13.7	8.60	1.66	8.00	1.53	7.50	1.39	6.90	1.25	6.30	1.11			

10. Capacity Table

AM040BXMDEH

Heating

TC : Total Capacity, PI : Power Input

Combination, % (Capacity index)	Outdoor temperature (°C, DB)		Indoor temperature (°C, DB)									
			16		18		20		22		24	
	DB	WB	TC	PI	TC	PI	TC	PI	TC	PI	TC	PI
50	-20.0	-20.2	5.20	2.85	4.80	2.55	4.40	2.27	3.90	1.97	3.40	1.72
	-17.0	-17.3	5.90	2.95	5.50	2.65	5.10	2.36	4.60	2.07	4.10	1.82
	-15.0	-15.3	6.40	3.01	5.90	2.71	5.50	2.43	5.00	2.14	4.60	1.88
	-12.0	-12.4	7.00	3.11	6.60	2.81	6.20	2.53	5.70	2.23	5.20	1.98
	-10.0	-10.5	7.10	3.02	6.70	2.73	6.30	2.46	5.80	2.18	5.30	1.93
	-7.0	-7.6	7.10	2.68	6.70	2.43	6.30	2.19	5.80	1.94	5.30	1.72
	-5.0	-5.6	7.10	2.48	6.70	2.25	6.30	2.03	5.80	1.80	5.30	1.60
	-3.0	-3.7	7.10	2.30	6.70	2.09	6.30	1.88	5.80	1.67	5.30	1.48
	0.0	-0.7	7.10	2.07	6.70	1.87	6.30	1.69	5.80	1.50	5.30	1.34
	3.0	2.2	7.10	1.87	6.70	1.69	6.30	1.53	5.80	1.36	5.30	1.21
	5.0	4.1	7.10	1.75	6.70	1.59	6.30	1.44	5.80	1.28	5.30	1.14
	7.0	6.0	7.10	1.65	6.70	1.50	6.30	1.36	5.80	1.21	5.30	1.08
	9.0	7.9	7.10	1.56	6.70	1.42	6.30	1.29	5.80	1.15	5.30	1.03
	11.0	9.8	7.10	1.49	6.70	1.35	6.30	1.23	5.80	1.10	5.30	0.98
13.0	11.8	7.10	1.42	6.70	1.29	6.30	1.18	5.80	1.05	5.30	0.94	
15.0	13.7	7.10	1.36	6.70	1.24	6.30	1.13	5.80	1.01	5.30	0.90	

NOTE

- The performance table shows the average value of each conditions.

10. Capacity Table

AM050BXMDEH

Cooling

TC : Total Capacity, PI : Power Input

Combination, % (Capacity index)	Outdoor temperature (°C, DB)	Indoor temperature (°C, WB)													
		14		16		18		19		20		22		24	
		TC kW	PI kW	TC kW	PI kW	TC kW	PI kW	TC kW	PI kW	TC kW	PI kW	TC kW	PI kW	TC kW	PI kW
50	10	4.60	0.49	5.50	0.62	6.50	0.76	7.00	0.82	7.40	0.90	8.30	1.05	9.10	1.21
	12	4.60	0.51	5.50	0.64	6.50	0.79	7.00	0.86	7.40	0.93	8.30	1.09	9.10	1.26
	14	4.60	0.53	5.50	0.67	6.50	0.82	7.00	0.90	7.40	0.98	8.30	1.14	9.10	1.33
	16	4.60	0.55	5.50	0.70	6.50	0.86	7.00	0.94	7.40	1.02	8.30	1.20	9.10	1.40
	18	4.60	0.58	5.50	0.73	6.50	0.90	7.00	0.99	7.40	1.08	8.30	1.26	9.10	1.47
	20	4.60	0.61	5.50	0.77	6.50	0.95	7.00	1.04	7.40	1.14	8.30	1.34	9.10	1.56
	21	4.60	0.62	5.50	0.79	6.50	0.98	7.00	1.07	7.40	1.17	8.30	1.38	9.10	1.61
	23	4.60	0.66	5.50	0.84	6.50	1.04	7.00	1.14	7.40	1.25	8.30	1.47	9.10	1.72
	25	4.60	0.70	5.50	0.89	6.50	1.10	7.00	1.21	7.40	1.33	8.30	1.57	9.10	1.84
	27	4.60	0.74	5.50	0.95	6.50	1.18	7.00	1.30	7.40	1.42	8.30	1.68	9.10	1.97
	29	4.60	0.79	5.50	1.02	6.50	1.26	7.00	1.39	7.40	1.52	8.30	1.80	9.10	2.12
	31	4.60	0.85	5.50	1.09	6.50	1.36	7.00	1.49	7.40	1.64	8.30	1.94	9.10	2.28
	33	4.60	0.91	5.50	1.17	6.50	1.46	7.00	1.61	7.40	1.76	8.30	2.09	9.10	2.46
	35	4.60	0.98	5.50	1.26	6.50	1.57	7.00	1.73	7.40	1.90	8.30	2.25	9.10	2.65
	37	4.60	1.06	5.50	1.36	6.50	1.69	7.00	1.87	7.40	2.05	8.30	2.43	9.10	2.86
	39	4.60	1.14	5.50	1.47	6.50	1.83	7.00	2.02	7.40	2.21	8.30	2.62	9.10	3.09
43	4.60	1.33	5.50	1.71	6.50	2.13	7.00	2.35	7.40	2.58	8.30	3.06	9.10	3.60	
46	4.60	1.49	5.50	1.92	6.50	2.39	7.00	2.64	7.40	2.90	7.80	3.24	8.30	3.61	
48	4.60	1.61	5.50	2.07	6.10	2.42	6.40	2.50	6.60	2.76	7.00	3.10	7.40	3.47	

NOTE

- The performance table shows the average value of each conditions.

10. Capacity Table

AM050BXMDEH

Heating

TC : Total Capacity, PI : Power Input

Combination, % (Capacity index)	Outdoor temperature (°C, DB)		Indoor temperature (°C, DB)									
			16		18		20		22		24	
	DB	WB	TC	PI	TC	PI	TC	PI	TC	PI	TC	PI
130	-20.0	-20.2	12.80	3.51	12.50	3.85	12.20	4.08	11.90	4.42	10.80	4.46
	-17.0	-17.3	14.50	3.94	14.20	4.27	13.80	4.51	12.70	4.56	11.60	4.61
	-15.0	-15.3	15.70	4.23	15.40	4.56	14.40	4.61	13.30	4.65	12.20	4.70
	-12.0	-12.4	17.20	4.65	16.20	4.70	15.20	4.75	14.20	4.80	13.10	4.84
	-10.0	-10.5	17.70	4.75	16.80	4.80	15.80	4.84	14.70	4.89	13.60	4.94
	-7.0	-7.6	18.60	4.89	17.70	4.94	16.70	4.99	15.60	5.03	14.50	5.08
	-5.0	-5.6	19.20	4.99	18.30	5.03	17.30	5.08	16.20	5.13	15.10	5.18
	-3.0	-3.7	19.80	5.08	18.80	5.13	17.80	5.18	16.80	5.22	15.70	5.27
	0.0	-0.7	20.60	5.22	19.70	5.27	18.70	5.32	17.60	5.37	16.50	5.41
	3.0	2.2	21.50	5.37	20.60	5.41	19.50	5.46	18.20	5.46	16.80	5.46
	5.0	4.1	22.00	5.46	20.90	5.46	19.70	5.46	18.30	5.46	17.00	5.46
	7.0	6.0	22.20	5.46	21.10	5.46	19.80	5.46	18.50	5.46	17.20	5.46
	9.0	7.9	22.40	5.46	21.20	5.46	20.00	5.46	18.70	5.46	17.30	5.46
	11.0	9.8	22.50	5.46	21.40	5.46	20.20	5.46	18.80	5.46	17.50	5.40
	13.0	11.8	22.70	5.46	21.50	5.46	20.30	5.46	19.00	5.46	17.50	5.10
15.0	13.7	22.80	5.46	21.70	5.46	20.50	5.46	19.10	5.38	17.50	4.83	
120	-20.0	-20.2	12.40	3.85	12.20	4.08	11.90	4.32	11.00	4.46	10.00	4.51
	-17.0	-17.3	14.20	4.27	13.80	4.51	12.90	4.56	11.90	4.61	10.90	4.65
	-15.0	-15.3	15.20	4.56	14.30	4.61	13.50	4.65	12.40	4.70	11.50	4.75
	-12.0	-12.4	16.10	4.70	15.20	4.75	14.40	4.80	13.30	4.84	12.30	4.89
	-10.0	-10.5	16.70	4.80	15.80	4.84	14.90	4.89	13.90	4.94	12.90	4.99
	-7.0	-7.6	17.60	4.94	16.60	4.99	15.80	5.03	14.70	5.08	13.80	5.13
	-5.0	-5.6	18.10	5.03	17.20	5.08	16.40	5.13	15.30	5.18	14.30	5.22
	-3.0	-3.7	18.70	5.13	17.80	5.18	17.00	5.22	15.90	5.27	14.90	5.32
	0.0	-0.7	19.60	5.27	18.70	5.32	17.80	5.37	16.80	5.41	15.70	5.46
	3.0	2.2	20.40	5.41	19.40	5.46	18.40	5.46	17.10	5.46	15.90	5.46
	5.0	4.1	20.70	5.46	19.60	5.46	18.60	5.46	17.30	5.46	16.10	5.46
	7.0	6.0	20.90	5.46	19.70	5.46	18.70	5.46	17.40	5.46	16.10	5.21
	9.0	7.9	21.00	5.46	19.90	5.46	18.90	5.46	17.60	5.46	16.10	4.89
	11.0	9.8	21.20	5.46	20.10	5.46	19.00	5.46	17.70	5.17	16.10	4.61
	13.0	11.8	21.30	5.46	20.20	5.46	19.20	5.44	17.70	4.88	16.10	4.36
15.0	13.7	21.50	5.46	20.40	5.46	19.20	5.14	17.70	4.63	16.10	4.15	
110	-20.0	-20.2	12.10	4.08	11.80	4.32	11.10	4.46	10.10	4.51	9.20	4.56
	-17.0	-17.3	13.60	4.51	12.80	4.56	12.00	4.61	11.00	4.65	10.10	4.70
	-15.0	-15.3	14.20	4.61	13.40	4.65	12.60	4.70	11.60	4.75	10.60	4.80
	-12.0	-12.4	15.10	4.75	14.20	4.80	13.40	4.84	12.50	4.89	11.50	4.94
	-10.0	-10.5	15.60	4.84	14.80	4.89	14.00	4.94	13.00	4.99	12.10	5.03
	-7.0	-7.6	16.50	4.99	15.70	5.03	14.90	5.08	13.90	5.13	12.90	5.18
	-5.0	-5.6	17.10	5.08	16.30	5.13	15.40	5.18	14.50	5.22	13.50	5.27
	-3.0	-3.7	17.60	5.18	16.80	5.22	16.00	5.27	15.00	5.32	14.10	5.37
	0.0	-0.7	18.50	5.32	17.70	5.37	16.90	5.41	15.80	5.46	14.60	5.46
	3.0	2.2	19.20	5.46	18.20	5.46	17.20	5.46	16.00	5.46	14.80	5.08
	5.0	4.1	19.30	5.46	18.40	5.46	17.40	5.46	16.20	5.35	14.80	4.74
	7.0	6.0	19.50	5.46	18.50	5.46	17.50	5.46	16.20	5.00	14.80	4.44
	9.0	7.9	19.70	5.46	18.70	5.46	17.60	5.25	16.20	4.70	14.80	4.18
	11.0	9.8	19.80	5.46	18.80	5.43	17.60	4.94	16.20	4.43	14.80	3.94
	13.0	11.8	20.00	5.46	18.80	5.11	17.60	4.66	16.20	4.19	14.80	3.74
15.0	13.7	20.10	5.28	18.80	4.84	17.60	4.42	16.20	3.98	14.80	3.56	
100	-20.0	-20.2	11.60	4.42	10.90	4.46	10.20	4.51	9.30	4.56	8.40	4.29
	-17.0	-17.3	12.50	4.56	11.80	4.61	11.00	4.65	10.20	4.70	9.20	4.43
	-15.0	-15.3	13.10	4.65	12.30	4.70	11.60	4.75	10.70	4.80	9.80	4.52
	-12.0	-12.4	13.90	4.80	13.20	4.84	12.50	4.89	11.60	4.94	10.70	4.67
	-10.0	-10.5	14.50	4.89	13.80	4.94	13.00	4.99	12.20	5.03	11.20	4.76
	-7.0	-7.6	15.40	5.03	14.60	5.08	13.90	5.13	13.00	5.18	12.10	4.90
	-5.0	-5.6	15.90	5.13	15.20	5.18	14.50	5.22	13.60	5.27	12.70	5.00
	-3.0	-3.7	16.50	5.22	15.80	5.27	15.10	5.32	14.20	5.37	13.30	5.09
	0.0	-0.7	17.40	5.37	16.60	5.41	15.80	5.46	14.70	5.41	13.40	4.77
	3.0	2.2	17.80	5.46	16.90	5.46	16.00	5.46	14.70	4.85	13.40	4.29
	5.0	4.1	17.90	5.46	17.00	5.46	16.00	5.08	14.70	4.53	13.40	4.01
	7.0	6.0	18.10	5.46	17.10	5.24	16.00	4.75	14.70	4.24	13.40	3.76
	9.0	7.9	18.20	5.39	17.10	4.91	16.00	4.46	14.70	3.99	13.40	3.55
	11.0	9.8	18.20	5.07	17.10	4.62	16.00	4.20	14.70	3.77	13.40	3.36
	13.0	11.8	18.20	4.78	17.10	4.37	16.00	3.98	14.70	3.58	13.40	3.19
15.0	13.7	18.20	4.53	17.10	4.14	16.00	3.78	14.70	3.41	13.40	3.04	

10. Capacity Table

AM050BXMDEH

Heating

TC : Total Capacity, PI : Power Input

Combination, % (Capacity index)	Outdoor temperature (°C, DB)		Indoor temperature (°C, DB)																			
			16		18		20		22		24											
			TC	PI	TC	PI	TC	PI	TC	PI	TC	PI										
90	DB	WB																				
	-20.0	-20.2	10.30	4.51	9.80	4.51	9.10	4.54	8.20	4.16	7.30	3.79										
	-17.0	-17.3	11.20	4.65	10.60	4.65	10.00	4.68	9.10	4.31	8.20	3.93										
	-15.0	-15.3	11.80	4.75	11.20	4.75	10.60	4.77	9.60	4.40	8.70	4.03										
	-12.0	-12.4	12.60	4.89	12.10	4.89	11.40	4.92	10.50	4.54	9.60	4.17										
	-10.0	-10.5	13.20	4.99	12.60	4.99	12.00	5.01	11.10	4.64	10.20	4.26										
	-7.0	-7.6	14.10	5.13	13.50	5.13	12.90	5.15	12.00	4.78	11.00	4.41										
	-5.0	-5.6	14.70	5.22	14.10	5.22	13.40	5.25	12.50	4.88	11.60	4.50										
	-3.0	-3.7	15.20	5.32	14.70	5.32	14.00	5.34	13.10	4.97	12.10	4.60										
	0.0	-0.7	16.00	5.46	15.30	5.46	14.40	5.24	13.30	4.66	12.10	4.71										
	3.0	2.2	16.30	5.46	15.40	5.19	14.40	4.70	13.30	4.19	12.10	3.71										
	5.0	4.1	16.40	5.34	15.40	4.84	14.40	4.39	13.30	3.91	12.10	3.47										
	7.0	6.0	16.40	4.99	15.40	4.53	14.40	4.11	13.30	3.67	12.10	3.26										
	9.0	7.9	16.40	4.68	15.40	4.26	14.40	3.87	13.30	3.46	12.10	3.08										
	11.0	9.8	16.40	4.41	15.40	4.02	14.40	3.66	13.30	3.28	12.10	2.92										
13.0	11.8	16.40	4.17	15.40	3.81	14.40	3.47	13.30	3.11	12.10	2.78											
15.0	13.7	16.40	3.96	15.40	3.62	14.40	3.31	13.30	2.97	12.10	2.66											
80	-20.0	-20.2	9.20	4.56	8.60	4.46	7.90	3.95	7.00	3.61	6.20	3.29										
	-17.0	-17.3	10.10	4.70	9.40	4.60	8.70	4.09	7.90	3.76	7.10	3.44										
	-15.0	-15.3	10.60	4.80	10.00	4.69	9.30	4.18	8.50	3.85	7.70	3.53										
	-12.0	-12.4	11.50	4.94	10.90	4.84	10.20	4.33	9.30	3.99	8.50	3.67										
	-10.0	-10.5	12.10	5.03	11.40	4.93	10.70	4.42	9.90	4.09	9.10	3.77										
	-7.0	-7.6	12.90	5.18	12.30	5.07	11.60	4.56	10.80	4.23	10.00	3.91										
	-5.0	-5.6	13.50	5.27	12.90	5.17	12.20	4.66	11.40	4.33	10.50	4.01										
	-3.0	-3.7	14.10	5.37	13.50	5.26	12.70	4.75	11.80	4.42	10.80	3.90										
	0.0	-0.7	14.60	5.45	13.70	4.93	12.80	4.46	11.80	3.96	10.80	3.50										
	3.0	2.2	14.60	4.89	13.70	4.43	12.80	4.01	11.80	3.57	10.80	3.16										
	5.0	4.1	14.60	4.56	13.70	4.14	12.80	3.75	11.80	3.34	10.80	2.96										
	7.0	6.0	14.60	4.27	13.70	3.88	12.80	3.52	11.80	3.14	10.80	2.79										
	9.0	7.9	14.60	4.02	13.70	3.66	12.80	3.32	11.80	2.97	10.80	2.64										
	11.0	9.8	14.60	3.80	13.70	3.46	12.80	3.15	11.80	2.82	10.80	2.51										
	13.0	11.8	14.60	3.60	13.70	3.29	12.80	2.99	11.80	2.68	10.80	2.40										
15.0	13.7	14.60	3.43	13.70	3.14	12.80	2.86	11.80	2.57	10.80	2.30											
70	-20.0	-20.2	7.80	4.05	7.20	3.80	6.60	3.36	5.90	3.08	5.20	2.80										
	-17.0	-17.3	8.70	4.20	8.10	3.95	7.40	3.50	6.70	3.22	6.00	2.94										
	-15.0	-15.3	9.30	4.29	8.60	4.04	8.00	3.60	7.30	3.31	6.60	3.04										
	-12.0	-12.4	10.10	4.43	9.50	4.18	8.90	3.74	8.20	3.46	7.50	3.18										
	-10.0	-10.5	10.70	4.53	10.10	4.28	9.50	3.84	8.70	3.55	8.00	3.28										
	-7.0	-7.6	11.60	4.67	10.90	4.42	10.30	3.98	9.60	3.69	8.90	3.42										
	-5.0	-5.6	12.10	4.77	11.50	4.52	10.90	4.07	10.20	3.79	9.40	3.51										
	-3.0	-3.7	12.70	4.86	12.00	4.61	11.20	4.17	10.30	3.70	9.40	3.26										
	0.0	-0.7	12.80	4.56	12.00	4.13	11.20	3.74	10.30	3.32	9.40	2.93										
	3.0	2.2	12.80	4.10	12.00	3.72	11.20	3.37	10.30	3.00	9.40	2.65										
	5.0	4.1	12.80	3.84	12.00	3.48	11.20	3.16	10.30	2.81	9.40	2.49										
	7.0	6.0	12.80	3.60	12.00	3.27	11.20	2.97	10.30	2.65	9.40	2.35										
	9.0	7.9	12.80	3.40	12.00	3.09	11.20	2.81	10.30	2.51	9.40	2.23										
	11.0	9.8	12.80	3.22	12.00	2.93	11.20	2.67	10.30	2.39	9.40	2.12										
	13.0	11.8	12.80	3.06	12.00	2.79	11.20	2.54	10.30	2.28	9.40	2.03										
15.0	13.7	12.80	2.92	12.00	2.67	11.20	2.44	10.30	2.19	9.40	1.95											
60	-20.0	-20.2	6.40	3.58	5.80	3.16	5.30	2.97	4.70	2.54	4.10	2.33										
	-17.0	-17.3	7.20	3.72	6.70	3.31	6.20	3.11	5.60	2.69	4.90	2.47										
	-15.0	-15.3	7.80	3.81	7.30	3.40	6.70	3.20	6.10	2.78	5.50	2.57										
	-12.0	-12.4	8.70	3.96	8.10	3.54	7.60	3.35	7.00	2.92	6.40	2.71										
	-10.0	-10.5	9.30	4.05	8.70	3.64	8.20	3.44	7.60	3.02	7.00	2.80										
	-7.0	-7.6	10.10	4.19	9.60	3.78	9.00	3.58	8.40	3.16	7.80	2.95										
	-5.0	-5.6	10.70	4.29	10.20	3.88	9.60	3.68	8.80	3.26	8.10	2.88										
	-3.0	-3.7	10.90	4.18	10.30	3.78	9.60	3.42	8.80	3.03	8.10	2.68										
	0.0	-0.7	10.90	3.75	10.30	3.39	9.60	3.07	8.80	2.72	8.10	2.42										
	3.0	2.2	10.90	3.38	10.30	3.07	9.60	2.78	8.80	2.47	8.10	2.19										
	5.0	4.1	10.90	3.17	10.30	2.88	9.60	2.61	8.80	2.32	8.10	2.06										
	7.0	6.0	10.90	2.98	10.30	2.71	9.60	2.46	8.80	2.19	8.10	1.95										
	9.0	7.9	10.90	2.82	10.30	2.57	9.60	2.33	8.80	2.08	8.10	1.85										
	11.0	9.8	10.90	2.68	10.30	2.44	9.60	2.22	8.80	1.98	8.10	1.77										
	13.0	11.8	10.90	2.56	10.30	2.33	9.60	2.12	8.80	1.90	8.10	1.70										
15.0	13.7	10.90	2.45	10.30	2.24	9.60	2.04	8.80	1.83	8.10	1.63											

10. Capacity Table

AM050BXMDEH

Heating

TC : Total Capacity, PI : Power Input

Combination, % (Capacity index)	Outdoor temperature (°C, DB)		Indoor temperature (°C, DB)									
			16		18		20		22		24	
	DB	WB	TC	PI	TC	PI	TC	PI	TC	PI	TC	PI
50	-20.0	-20.2	4.90	2.86	4.50	2.52	4.00	2.37	3.50	2.03	3.00	1.86
	-17.0	-17.3	5.80	3.01	5.30	2.67	4.90	2.52	4.40	2.18	3.90	2.00
	-15.0	-15.3	6.40	3.10	5.90	2.76	5.50	2.61	5.00	2.27	4.50	2.09
	-12.0	-12.4	7.20	3.24	6.80	2.90	6.30	2.75	5.80	2.41	5.30	2.24
	-10.0	-10.5	7.80	3.34	7.40	3.00	6.90	2.85	6.40	2.51	5.90	2.33
	-7.0	-7.6	8.70	3.48	8.20	3.14	7.80	2.99	7.30	2.65	6.70	2.47
	-5.0	-5.6	9.10	3.58	8.60	3.24	8.00	2.93	7.40	2.60	6.70	2.30
	-3.0	-3.7	9.10	3.32	8.60	3.01	8.00	2.72	7.40	2.42	6.70	2.14
	0.0	-0.7	9.10	2.99	8.60	2.71	8.00	2.45	7.40	2.18	6.70	1.93
	3.0	2.2	9.10	2.71	8.60	2.45	8.00	2.23	7.40	1.98	6.70	1.76
	5.0	4.1	9.10	2.54	8.60	2.31	8.00	2.10	7.40	1.87	6.70	1.66
	7.0	6.0	9.10	2.40	8.60	2.18	8.00	1.98	7.40	1.77	6.70	1.57
	9.0	7.9	9.10	2.28	8.60	2.07	8.00	1.88	7.40	1.68	6.70	1.50
	11.0	9.8	9.10	2.17	8.60	1.98	8.00	1.80	7.40	1.61	6.70	1.43
13.0	11.8	9.10	2.08	8.60	1.89	8.00	1.72	7.40	1.55	6.70	1.37	
15.0	13.7	9.10	2.00	8.60	1.82	8.00	1.66	7.40	1.49	6.70	1.33	

NOTE

- The performance table shows the average value of each conditions.

10. Capacity Table

AM080BXMDGH

Cooling

TC : Total Capacity, PI : Power Input

Combination, % (Capacity index)	Outdoor temperature (°C, DB)	Indoor temperature (°C, WB)													
		14		16		18		19		20		22		24	
		TC kW	PI kW	TC kW	PI kW	TC kW	PI kW	TC kW	PI kW	TC kW	PI kW	TC kW	PI kW	TC kW	PI kW
50	10	7.30	0.97	8.90	1.21	10.40	1.48	11.20	1.62	11.90	1.75	13.20	2.04	14.60	2.37
	12	7.30	1.00	8.90	1.26	10.40	1.54	11.20	1.69	11.90	1.83	13.20	2.14	14.60	2.49
	14	7.30	1.05	8.90	1.32	10.40	1.61	11.20	1.77	11.90	1.92	13.20	2.25	14.60	2.62
	16	7.30	1.09	8.90	1.38	10.40	1.69	11.20	1.86	11.90	2.02	13.20	2.37	14.60	2.77
	18	7.30	1.15	8.90	1.45	10.40	1.79	11.20	1.97	11.90	2.14	13.20	2.51	14.60	2.94
	20	7.30	1.21	8.90	1.53	10.40	1.89	11.20	2.08	11.90	2.27	13.20	2.67	14.60	3.13
	21	7.30	1.25	8.90	1.58	10.40	1.95	11.20	2.15	11.90	2.34	13.20	2.75	14.60	3.23
	23	7.30	1.32	8.90	1.68	10.40	2.08	11.20	2.29	11.90	2.50	13.20	2.94	14.60	3.45
	25	7.30	1.40	8.90	1.79	10.40	2.22	11.20	2.45	11.90	2.67	13.20	3.15	14.60	3.70
	27	7.30	1.50	8.90	1.91	10.40	2.37	11.20	2.62	11.90	2.86	13.20	3.38	14.60	3.98
	29	7.30	1.60	8.90	2.05	10.40	2.55	11.20	2.81	11.90	3.08	13.20	3.64	14.60	4.28
	31	7.30	1.72	8.90	2.20	10.40	2.74	11.20	3.03	11.90	3.31	13.20	3.92	14.60	4.62
	33	7.30	1.85	8.90	2.37	10.40	2.95	11.20	3.26	11.90	3.57	13.20	4.22	14.60	4.98
	35	7.30	1.99	8.90	2.55	10.40	3.18	11.20	3.52	11.90	3.85	13.20	4.56	14.60	5.38
	37	7.30	2.15	8.90	2.75	10.40	3.43	11.20	3.80	11.90	4.16	13.20	4.93	14.60	5.81
	39	7.30	2.32	8.90	2.97	10.40	3.71	11.20	4.11	11.90	4.49	13.20	5.32	14.60	6.28
43	7.30	2.70	8.90	3.47	10.40	4.33	11.20	4.79	11.90	5.24	13.20	6.20	14.10	6.90	
46	7.30	3.03	8.90	3.89	10.00	4.53	10.40	4.70	10.70	5.17	11.40	5.79	12.00	6.49	
48	7.10	3.01	7.80	3.61	8.60	4.26	9.00	4.43	9.30	4.89	10.00	5.51	10.70	6.22	

NOTE

- The performance table shows the average value of each conditions.

10. Capacity Table

AM080BXMDGH

Heating

TC : Total Capacity, PI : Power Input

Combination, % (Capacity index)	Outdoor temperature (°C, DB)		Indoor temperature (°C, DB)																			
			16		18		20		22		24											
			TC	PI	TC	PI	TC	PI	TC	PI	TC	PI										
130	DB	WB																				
	-20.0	-20.2	20.70	8.93	20.20	9.47	19.80	9.81	19.30	10.04	18.20	9.40										
	-17.0	-17.3	23.40	9.54	22.90	10.08	22.50	10.42	21.50	10.52	19.60	9.60										
	-15.0	-15.3	25.20	9.94	24.70	10.49	24.10	10.82	22.40	10.65	20.50	9.74										
	-12.0	-12.4	27.90	10.55	26.90	10.96	25.50	11.03	23.70	10.86	21.80	9.94										
	-10.0	-10.5	29.40	10.96	27.80	11.09	26.40	11.16	24.60	10.99	22.70	10.08										
	-7.0	-7.6	30.80	11.16	29.10	11.30	27.70	11.37	26.00	11.19	24.10	10.28										
	-5.0	-5.6	31.70	11.30	30.00	11.43	28.60	11.50	26.90	11.33	25.00	10.42										
	-3.0	-3.7	32.60	11.43	30.90	11.57	29.50	11.64	27.80	11.47	25.90	10.55										
	0.0	-0.7	33.90	11.64	32.30	11.77	30.90	11.84	29.10	11.67	27.20	10.76										
	3.0	2.2	35.30	11.84	33.60	11.97	32.20	12.04	29.90	11.37	27.30	10.05										
	5.0	4.1	36.20	11.97	34.40	12.11	32.50	11.83	29.90	10.56	27.30	9.35										
	7.0	6.0	36.70	12.11	34.70	12.11	32.50	11.00	29.90	9.83	27.30	8.72										
	9.0	7.9	36.90	12.11	34.80	11.31	32.50	10.27	29.90	9.19	27.30	8.17										
	11.0	9.8	37.10	11.58	34.80	10.58	32.50	9.62	29.90	8.63	27.30	7.69										
13.0	11.8	37.10	10.84	34.80	9.92	32.50	9.04	29.90	8.13	27.30	7.26											
15.0	13.7	37.10	10.18	34.80	9.33	32.50	8.52	29.90	7.68	27.30	6.89											
120	-20.0	-20.2	20.10	9.47	19.70	9.24	19.30	9.36	18.40	8.98	16.70	8.62										
	-17.0	-17.3	22.80	10.08	22.40	9.85	21.50	9.97	19.80	9.18	18.10	8.82										
	-15.0	-15.3	24.60	10.49	24.00	10.25	22.40	10.10	20.70	9.31	19.00	8.96										
	-12.0	-12.4	26.70	10.96	25.30	10.46	23.80	10.30	22.00	9.52	20.30	9.16										
	-10.0	-10.5	27.60	11.09	26.20	10.59	24.70	10.44	22.90	9.65	21.20	9.30										
	-7.0	-7.6	29.00	11.30	27.60	10.80	26.00	10.64	24.30	9.86	22.60	9.50										
	-5.0	-5.6	29.90	11.43	28.50	10.93	26.90	10.78	25.20	9.99	23.50	9.64										
	-3.0	-3.7	30.80	11.57	29.40	11.07	27.80	10.91	26.10	10.13	24.40	9.77										
	0.0	-0.7	32.10	11.77	30.70	11.27	29.20	11.12	27.40	10.33	25.20	9.54										
	3.0	2.2	33.50	11.97	32.10	11.47	30.00	10.83	27.60	9.65	25.20	8.53										
	5.0	4.1	34.10	12.11	32.10	11.12	30.00	10.06	27.60	8.97	25.20	7.95										
	7.0	6.0	34.20	11.37	32.10	10.34	30.00	9.37	27.60	8.37	25.20	7.43										
	9.0	7.9	34.20	10.60	32.10	9.66	30.00	8.76	27.60	7.84	25.20	6.98										
	11.0	9.8	34.20	9.91	32.10	9.05	30.00	8.22	27.60	7.38	25.20	6.58										
	13.0	11.8	34.20	9.30	32.10	8.50	30.00	7.75	27.60	6.96	25.20	6.22										
15.0	13.7	34.20	8.75	32.10	8.02	30.00	7.32	27.60	6.60	25.20	5.91											
110	-20.0	-20.2	19.50	9.12	19.20	8.80	18.40	8.49	16.80	8.22	15.20	7.49										
	-17.0	-17.3	22.20	9.73	21.10	9.27	19.70	8.69	18.10	8.42	16.50	7.69										
	-15.0	-15.3	23.40	10.00	22.00	9.41	20.60	8.83	19.00	8.56	17.40	7.83										
	-12.0	-12.4	24.80	10.20	23.40	9.61	22.00	9.03	20.40	8.76	18.80	8.03										
	-10.0	-10.5	25.70	10.33	24.30	9.75	22.90	9.17	21.30	8.90	19.70	8.17										
	-7.0	-7.6	27.00	10.54	25.60	9.95	24.20	9.37	22.60	9.10	21.00	8.37										
	-5.0	-5.6	27.90	10.67	26.50	10.09	25.10	9.51	23.50	9.24	21.90	8.50										
	-3.0	-3.7	28.80	10.81	27.40	10.22	26.00	9.64	24.40	9.37	22.80	8.64										
	0.0	-0.7	30.20	11.01	28.80	10.43	27.40	9.84	25.30	9.15	23.10	8.07										
	3.0	2.2	31.40	11.21	29.40	10.17	27.50	9.20	25.30	8.19	23.10	7.24										
	5.0	4.1	31.40	10.41	29.40	9.45	27.50	8.56	25.30	7.63	23.10	6.75										
	7.0	6.0	31.40	9.68	29.40	8.80	27.50	7.98	25.30	7.13	23.10	6.32										
	9.0	7.9	31.40	9.04	29.40	8.23	27.50	7.48	25.30	6.70	23.10	5.95										
	11.0	9.8	31.40	8.47	29.40	7.73	27.50	7.03	25.30	6.31	23.10	5.61										
	13.0	11.8	31.40	7.97	29.40	7.28	27.50	6.64	25.30	5.97	23.10	5.32										
15.0	13.7	31.40	7.52	29.40	6.89	27.50	6.29	25.30	5.67	23.10	5.07											
100	-20.0	-20.2	19.00	8.66	17.80	8.27	16.60	7.74	15.10	7.11	13.70	6.46										
	-17.0	-17.3	20.50	9.00	19.20	8.47	17.90	7.94	16.50	7.31	15.00	6.67										
	-15.0	-15.3	21.40	9.13	20.10	8.61	18.80	8.08	17.40	7.44	15.90	6.80										
	-12.0	-12.4	22.70	9.33	21.40	8.81	20.20	8.28	18.70	7.65	17.30	7.00										
	-10.0	-10.5	23.60	9.47	22.30	8.95	21.10	8.42	19.60	7.78	18.20	7.14										
	-7.0	-7.6	25.00	9.67	23.70	9.15	22.40	8.62	21.00	7.99	19.50	7.34										
	-5.0	-5.6	25.90	9.81	24.60	9.28	23.30	8.76	21.90	8.12	20.40	7.48										
	-3.0	-3.7	26.80	9.94	25.50	9.42	24.20	8.89	22.80	8.26	21.00	7.61										
	0.0	-0.7	28.10	10.15	26.80	9.62	25.00	8.69	23.00	7.72	21.00	6.80										
	3.0	2.2	28.50	9.47	26.80	8.60	25.00	7.78	23.00	6.92	21.00	6.12										
	5.0	4.1	28.50	8.81	26.80	8.00	25.00	7.25	23.00	6.46	21.00	5.72										
	7.0	6.0	28.50	8.21	26.80	7.47	25.00	6.77	23.00	6.05	21.00	5.36										
	9.0	7.9	28.50	7.69	26.80	7.00	25.00	6.36	23.00	5.69	21.00	5.05										
	11.0	9.8	28.50	7.23	26.80	6.59	25.00	5.99	23.00	5.38	21.00	4.78										
	13.0	11.8	28.50	6.82	26.80	6.23	25.00	5.67	23.00	5.10	21.00	4.55										
15.0	13.7	28.50	6.45	26.80	5.91	25.00	5.39	23.00	4.86	21.00	4.34											

10. Capacity Table

AM080BXMDGH

Heating

TC : Total Capacity, PI : Power Input

Combination, % (Capacity index)	Outdoor temperature (°C, DB)		Indoor temperature (°C, DB)									
			16		18		20		22		24	
	DB	WB	TC	PI	TC	PI	TC	PI	TC	PI	TC	PI
50	-20.0	-20.2	8.80	4.62	8.10	4.36	7.50	3.86	6.80	3.56	6.00	3.28
	-17.0	-17.3	10.10	4.82	9.50	4.57	8.80	4.06	8.10	3.77	7.40	3.49
	-15.0	-15.3	11.00	4.96	10.40	4.70	9.70	4.20	9.00	3.90	8.30	3.62
	-12.0	-12.4	12.40	5.16	11.70	4.90	11.10	4.40	10.40	4.11	9.60	3.83
	-10.0	-10.5	13.30	5.30	12.60	5.04	12.00	4.54	11.30	4.24	10.50	3.96
	-7.0	-7.6	14.30	5.50	13.40	4.98	12.50	4.50	11.50	3.99	10.50	3.53
	-5.0	-5.6	14.30	5.10	13.40	4.62	12.50	4.17	11.50	3.70	10.50	3.28
	-3.0	-3.7	14.30	4.73	13.40	4.29	12.50	3.88	11.50	3.45	10.50	3.05
	0.0	-0.7	14.30	4.26	13.40	3.86	12.50	3.49	11.50	3.11	10.50	2.76
	3.0	2.2	14.30	3.86	13.40	3.50	12.50	3.17	11.50	2.83	10.50	2.51
	5.0	4.1	14.30	3.62	13.40	3.29	12.50	2.98	11.50	2.66	10.50	2.37
	7.0	6.0	14.30	3.42	13.40	3.11	12.50	2.82	11.50	2.52	10.50	2.24
	9.0	7.9	14.30	3.25	13.40	2.95	12.50	2.68	11.50	2.40	10.50	2.13
	11.0	9.8	14.30	3.09	13.40	2.82	12.50	2.56	11.50	2.29	10.50	2.04
	13.0	11.8	14.30	2.96	13.40	2.70	12.50	2.45	11.50	2.20	10.50	1.96
15.0	13.7	14.30	2.85	13.40	2.60	12.50	2.36	11.50	2.12	10.50	1.89	

NOTE

- The performance table shows the average value of each conditions.

10. Capacity Table

AM080BXMWGH

Cooling

TC : Total Capacity, PI : Power Input

Combination, % (Capacity index)	Outdoor temperature (°C, DB)	Indoor temperature (°C, WB)													
		14		16		18		19		20		22		24	
		TC kW	PI kW	TC kW	PI kW	TC kW	PI kW	TC kW	PI kW	TC kW	PI kW	TC kW	PI kW	TC kW	PI kW
130	10	18.90	3.01	23.00	3.71	27.10	4.49	29.10	4.91	30.90	5.32	34.40	6.24	37.90	7.31
	12	18.90	3.16	23.00	3.93	27.10	4.77	29.10	5.23	30.90	5.68	34.40	6.68	37.90	7.85
	14	18.90	3.34	23.00	4.16	27.10	5.08	29.10	5.59	30.90	6.08	34.40	7.17	37.90	8.45
	16	18.90	3.53	23.00	4.43	27.10	5.43	29.10	5.99	30.90	6.52	34.40	7.72	37.90	9.10
	18	18.90	3.75	23.00	4.73	27.10	5.83	29.10	6.43	30.90	7.01	34.40	8.31	37.90	9.82
	20	18.90	4.00	23.00	5.07	27.10	6.26	29.10	6.92	30.90	7.55	34.40	8.96	37.60	10.08
	21	18.90	4.14	23.00	5.25	27.10	6.49	29.10	7.18	30.90	7.84	34.40	9.31	37.00	9.95
	23	18.90	4.43	23.00	5.64	27.10	6.99	29.10	7.74	30.90	8.46	34.40	10.05	35.60	9.70
	25	18.90	4.76	23.00	6.07	27.10	7.54	29.10	8.35	30.90	9.13	33.60	9.80	34.30	9.46
	27	18.90	5.12	23.00	6.54	27.10	8.14	29.10	9.02	30.90	9.86	32.20	9.56	32.90	9.21
	29	18.90	5.51	23.00	7.06	27.10	8.79	29.10	9.74	30.20	9.61	30.90	9.31	31.60	8.96
	31	18.90	5.95	23.00	7.62	27.10	9.49	28.50	10.00	28.80	9.36	29.50	9.06	30.20	8.71
	33	18.90	6.42	23.00	8.23	26.70	9.74	27.10	9.75	27.50	9.12	28.20	8.81	28.90	8.46
	35	18.90	6.93	23.00	8.89	25.40	9.49	25.80	9.50	26.20	8.87	26.90	8.56	27.60	8.21
	37	18.90	7.48	23.00	9.60	24.10	9.24	24.50	9.25	24.80	8.62	25.50	8.31	26.20	7.96
	39	18.90	8.08	21.90	9.35	22.70	8.99	23.10	9.00	23.50	8.37	24.20	8.06	24.90	7.71
43	17.30	8.02	19.20	8.85	20.00	8.50	20.40	8.50	20.80	7.87	21.50	7.56	22.20	7.21	
46	15.30	7.65	17.20	8.48	18.00	8.12	18.40	8.13	18.80	7.50	19.50	7.19	20.20	6.84	
48	14.00	7.40	15.80	8.23	16.70	7.87	17.10	7.88	17.40	7.25	18.10	6.94	18.80	6.59	
120	10	17.50	2.70	21.20	3.33	25.00	4.02	26.90	4.39	28.50	4.76	31.70	5.56	34.90	6.49
	12	17.50	2.83	21.20	3.51	25.00	4.26	26.90	4.67	28.50	5.06	31.70	5.94	34.90	6.95
	14	17.50	2.98	21.20	3.71	25.00	4.53	26.90	4.98	28.50	5.41	31.70	6.36	34.90	7.47
	16	17.50	3.15	21.20	3.95	25.00	4.84	26.90	5.32	28.50	5.79	31.70	6.83	34.90	8.03
	18	17.50	3.34	21.20	4.21	25.00	5.17	26.90	5.70	28.50	6.21	31.70	7.34	34.90	8.66
	20	17.50	3.56	21.20	4.50	25.00	5.55	26.90	6.12	28.50	6.68	31.70	7.91	34.90	9.34
	21	17.50	3.67	21.20	4.65	25.00	5.75	26.90	6.35	28.50	6.93	31.70	8.22	34.90	9.70
	23	17.50	3.93	21.20	4.99	25.00	6.19	26.90	6.84	28.50	7.47	31.70	8.87	34.90	10.48
	25	17.50	4.21	21.20	5.37	25.00	6.67	26.90	7.38	28.50	8.06	31.70	9.57	33.70	10.23
	27	17.50	4.53	21.20	5.78	25.00	7.19	26.90	7.96	28.50	8.70	31.70	9.82	32.30	9.98
	29	17.50	4.87	21.20	6.24	25.00	7.76	26.90	8.60	28.50	9.40	30.40	9.57	31.00	9.73
	31	17.50	5.25	21.20	6.73	25.00	8.38	26.90	9.29	28.40	9.64	29.00	9.33	29.70	9.48
	33	17.50	5.67	21.20	7.27	25.00	9.06	26.70	9.53	27.00	9.39	27.70	9.08	28.30	9.23
	35	17.50	6.12	21.20	7.85	25.00	9.29	25.40	9.28	25.70	9.14	26.30	8.83	27.00	8.98
	37	17.50	6.61	21.20	8.48	23.60	9.04	24.00	9.03	24.30	8.89	25.00	8.58	25.60	8.73
	39	17.50	7.14	21.20	8.68	22.30	8.79	22.70	8.78	23.00	8.64	23.60	8.33	24.30	8.49
43	16.60	7.46	18.50	8.19	19.60	8.29	20.00	8.28	20.30	8.15	20.90	7.83	21.60	7.99	
46	14.60	7.09	16.50	7.81	17.60	7.92	18.00	7.91	18.30	7.77	18.90	7.46	19.60	7.61	
48	13.30	6.84	15.10	7.56	16.20	7.67	16.60	7.66	16.90	7.52	17.60	7.21	18.20	7.37	
110	10	16.00	2.41	19.50	2.97	22.90	3.59	24.60	3.92	26.10	4.24	29.10	4.94	32.00	5.75
	12	16.00	2.53	19.50	3.13	22.90	3.79	24.60	4.15	26.10	4.50	29.10	5.26	32.00	6.15
	14	16.00	2.65	19.50	3.30	22.90	4.02	24.60	4.41	26.10	4.79	29.10	5.62	32.00	6.59
	16	16.00	2.80	19.50	3.50	22.90	4.28	24.60	4.71	26.10	5.11	29.10	6.02	32.00	7.07
	18	16.00	2.96	19.50	3.72	22.90	4.57	24.60	5.04	26.10	5.48	29.10	6.47	32.00	7.61
	20	16.00	3.15	19.50	3.97	22.90	4.90	24.60	5.40	26.10	5.88	29.10	6.96	32.00	8.20
	21	16.00	3.25	19.50	4.11	22.90	5.07	24.60	5.60	26.10	6.10	29.10	7.22	32.00	8.51
	23	16.00	3.47	19.50	4.40	22.90	5.45	24.60	6.02	26.10	6.57	29.10	7.78	32.00	9.19
	25	16.00	3.72	19.50	4.73	22.90	5.86	24.60	6.49	26.10	7.08	29.10	8.40	32.00	9.92
	27	16.00	3.99	19.50	5.09	22.90	6.32	24.60	6.99	26.10	7.64	29.10	9.07	31.80	10.19
	29	16.00	4.29	19.50	5.48	22.90	6.82	24.60	7.55	26.10	8.25	29.10	9.79	30.40	9.94
	31	16.00	4.62	19.50	5.91	22.90	7.36	24.60	8.15	26.10	8.91	28.50	10.06	29.10	9.69
	33	16.00	4.98	19.50	6.38	22.90	7.95	24.60	8.81	26.10	9.62	27.10	9.81	27.70	9.44
	35	16.00	5.38	19.50	6.89	22.90	8.59	24.60	9.51	25.20	9.37	25.80	9.56	26.40	9.19
	37	16.00	5.81	19.50	7.44	22.90	9.28	23.60	9.26	23.90	9.12	24.50	9.31	25.00	8.94
	39	16.00	6.28	19.50	8.04	21.90	9.03	22.20	9.01	22.50	8.88	23.10	9.06	23.70	8.69
43	15.90	6.92	17.60	7.98	19.20	8.53	19.50	8.51	19.80	8.38	20.40	8.56	21.00	8.19	
46	13.90	6.54	15.60	7.60	17.20	8.15	17.50	8.14	17.80	8.00	18.40	8.19	19.00	7.82	
48	12.50	6.29	14.30	7.35	15.80	7.91	16.20	7.89	16.50	7.75	17.10	7.94	17.60	7.57	
100	10	14.60	2.14	17.70	2.65	20.80	3.19	22.40	3.48	23.70	3.77	26.40	4.38	29.10	5.08
	12	14.60	2.23	17.70	2.78	20.80	3.36	22.40	3.68	23.70	3.99	26.40	4.65	29.10	5.41
	14	14.60	2.34	17.70	2.93	20.80	3.55	22.40	3.90	23.70	4.23	26.40	4.95	29.10	5.79
	16	14.60	2.47	17.70	3.09	20.80	3.77	22.40	4.15	23.70	4.51	26.40	5.29	29.10	6.20
	18	14.60	2.61	17.70	3.28	20.80	4.02	22.40	4.43	23.70	4.82	26.40	5.67	29.10	6.66
	20	14.60	2.77	17.70	3.50	20.80	4.30	22.40	4.74	23.70	5.16	26.40	6.09	29.10	7.16
	21	14.60	2.85	17.70	3.61	20.80	4.45	22.40	4.91	23.70	5.35	26.40	6.32	29.10	7.43
	23	14.60	3.04	17.70	3.86	20.80	4.77	22.40	5.27	23.70	5.75	26.40	6.80	29.10	8.01
	25	14.60	3.25	17.70	4.14	20.80	5.13	22.40	5.67	23.70	6.19	26.40	7.33	29.10	8.64
	27	14.60	3.49	17.70	4.45	20.80	5.52	22.40	6.11	23.70	6.67	26.40	7.91	29.10	9.33
	29	14.60	3.75	17.70	4.79	20.80	5.95	22.40	6.59	23.70	7.20	26.40	8.54	29.10	10.08
	31	14.60	4.03	17.70	5.17	20.80	6.42	22.40	7.12	23.70	7.77	26.40	9.23	28.50	10.35
	33	14.60	4.35	17.70	5.58	20.80	6.93	22.40	7.69	23.70	8.40	26.40	9.96	27.10	10.10
	35	14.60	4.69	17.70	6.02	20.80	7.49	22.40	8.30	23.70	9.07	25.30	9.72	25.80	9.85
	37	14.60	5.06	17.70	6.50	20.80	8.09	22.40	8.96	23.40	9.30	23.90	9.47	24.50	9.61
	39	14.60	5.47	17.70	7.02	20.80	8.73	21.80	9.20	22.00	9.05	22.60	9.22	23.10	9.36
43	14.60	6.38	16.70	7.33	18.30	8.24	19.10	8.70	19.40	8.55	19.90	8.72	20.40	8.86	
46	13.10	6.01	14.70	6.96	16.30	7.86	17.10	8.32	17.30	8.18	17.90	8.35	18.40	8.49	
48	11.80	5.76	13.40	6.71	14.90	7.61	15.70	8.07	16.00	7.93	16.50	8.10	17.10	8.24	

10. Capacity Table

AM080BXMWGH

Cooling

TC : Total Capacity, PI : Power Input

Combination, % (Capacity index)	Outdoor temperature (°C, DB)	Indoor temperature (°C, WB)													
		14		16		18		19		20		22		24	
		TC kW	PI kW	TC kW	PI kW	TC kW	PI kW	TC kW	PI kW	TC kW	PI kW	TC kW	PI kW	TC kW	PI kW
90	10	13.10	1.85	15.90	2.29	18.80	2.76	20.20	3.02	21.40	3.26	23.80	3.79	26.20	4.39
	12	13.10	1.93	15.90	2.40	18.80	2.90	20.20	3.18	21.40	3.44	23.80	4.01	26.20	4.66
	14	13.10	2.02	15.90	2.52	18.80	3.06	20.20	3.36	21.40	3.64	23.80	4.26	26.20	4.97
	16	13.10	2.12	15.90	2.66	18.80	3.24	20.20	3.57	21.40	3.87	23.80	4.54	26.20	5.31
	18	13.10	2.24	15.90	2.82	18.80	3.45	20.20	3.80	21.40	4.12	23.80	4.85	26.20	5.68
	20	13.10	2.37	15.90	2.99	18.80	3.68	20.20	4.05	21.40	4.41	23.80	5.20	26.20	6.10
	21	13.10	2.44	15.90	3.09	18.80	3.80	20.20	4.19	21.40	4.56	23.80	5.39	26.20	6.33
	23	13.10	2.60	15.90	3.30	18.80	4.07	20.20	4.50	21.40	4.90	23.80	5.79	26.20	6.81
	25	13.10	2.77	15.90	3.53	18.80	4.37	20.20	4.83	21.40	5.27	23.80	6.24	26.20	7.35
	27	13.10	2.97	15.90	3.79	18.80	4.70	20.20	5.20	21.40	5.67	23.80	6.72	26.20	7.93
	29	13.10	3.19	15.90	4.08	18.80	5.06	20.20	5.60	21.40	6.12	23.80	7.26	26.20	8.56
	31	13.10	3.43	15.90	4.39	18.80	5.46	20.20	6.05	21.40	6.60	23.80	7.84	26.20	9.24
	33	13.10	3.69	15.90	4.73	18.80	5.89	20.20	6.53	21.40	7.13	23.80	8.46	26.20	9.98
	35	13.10	3.98	15.90	5.11	18.80	6.36	20.20	7.05	21.40	7.70	23.80	9.14	26.20	9.73
	37	13.10	4.30	15.90	5.52	18.80	6.87	20.20	7.61	21.40	8.32	23.40	9.37	23.90	9.49
	39	13.10	4.64	15.90	5.96	18.80	7.42	20.20	8.22	21.30	8.52	22.00	9.12	22.50	9.24
43	13.10	5.41	15.80	6.56	17.30	7.34	18.00	7.72	18.60	8.02	19.40	8.63	19.80	8.74	
46	12.40	5.38	13.80	6.19	15.20	6.96	15.90	7.35	16.60	7.64	17.30	8.25	17.80	8.36	
48	11.10	5.13	12.50	5.94	13.90	6.71	14.60	7.10	15.20	7.40	16.00	8.00	16.50	8.12	
80	10	11.70	1.58	14.20	1.97	16.70	2.38	17.90	2.60	19.00	2.81	21.20	3.26	23.30	3.78
	12	11.70	1.65	14.20	2.06	16.70	2.49	17.90	2.73	19.00	2.95	21.20	3.44	23.30	4.00
	14	11.70	1.72	14.20	2.16	16.70	2.62	17.90	2.88	19.00	3.12	21.20	3.64	23.30	4.24
	16	11.70	1.81	14.20	2.27	16.70	2.77	17.90	3.04	19.00	3.30	21.20	3.87	23.30	4.52
	18	11.70	1.90	14.20	2.40	16.70	2.93	17.90	3.23	19.00	3.51	21.20	4.12	23.30	4.82
	20	11.70	2.01	14.20	2.54	16.70	3.12	17.90	3.44	19.00	3.74	21.20	4.41	23.30	5.17
	21	11.70	2.07	14.20	2.62	16.70	3.22	17.90	3.55	19.00	3.87	21.20	4.56	23.30	5.35
	23	11.70	2.20	14.20	2.79	16.70	3.44	17.90	3.80	19.00	4.14	21.20	4.89	23.30	5.75
	25	11.70	2.35	14.20	2.99	16.70	3.69	17.90	4.08	19.00	4.45	21.20	5.26	23.30	6.19
	27	11.70	2.51	14.20	3.20	16.70	3.96	17.90	4.38	19.00	4.78	21.20	5.67	23.30	6.67
	29	11.70	2.69	14.20	3.44	16.70	4.26	17.90	4.72	19.00	5.15	21.20	6.11	23.30	7.20
	31	11.70	2.89	14.20	3.70	16.70	4.59	17.90	5.09	19.00	5.56	21.20	6.59	23.30	7.78
	33	11.70	3.11	14.20	3.99	16.70	4.96	17.90	5.49	19.00	6.00	21.20	7.12	23.30	8.40
	35	11.70	3.35	14.20	4.30	16.70	5.35	17.90	5.93	19.00	6.48	21.20	7.69	23.30	9.07
	37	11.70	3.62	14.20	4.64	16.70	5.78	17.90	6.41	19.00	7.00	21.20	8.30	23.30	9.30
	39	11.70	3.90	14.20	5.01	16.70	6.24	17.90	6.92	19.00	7.56	21.10	8.50	22.00	9.05
43	11.70	4.55	14.20	5.85	16.20	6.88	16.80	7.22	17.40	7.48	18.50	8.01	19.30	8.55	
46	11.70	5.11	12.90	5.83	14.20	6.50	14.80	6.85	15.40	7.11	16.40	7.63	17.20	8.18	
48	10.30	4.86	11.60	5.58	12.90	6.26	13.50	6.60	14.00	6.86	15.10	7.38	15.90	7.93	
70	10	10.20	1.34	12.40	1.67	14.60	2.03	15.70	2.21	16.60	2.39	18.50	2.78	20.40	3.22
	12	10.20	1.39	12.40	1.74	14.60	2.12	15.70	2.32	16.60	2.51	18.50	2.92	20.40	3.39
	14	10.20	1.45	12.40	1.82	14.60	2.22	15.70	2.43	16.60	2.64	18.50	3.08	20.40	3.59
	16	10.20	1.52	12.40	1.91	14.60	2.34	15.70	2.57	16.60	2.78	18.50	3.26	20.40	3.81
	18	10.20	1.60	12.40	2.02	14.60	2.47	15.70	2.72	16.60	2.95	18.50	3.46	20.40	4.05
	20	10.20	1.69	12.40	2.13	14.60	2.62	15.70	2.88	16.60	3.14	18.50	3.69	20.40	4.33
	21	10.20	1.73	12.40	2.20	14.60	2.71	15.70	2.98	16.60	3.24	18.50	3.82	20.40	4.48
	23	10.20	1.84	12.40	2.34	14.60	2.89	15.70	3.18	16.60	3.46	18.50	4.09	20.40	4.80
	25	10.20	1.96	12.40	2.49	14.60	3.09	15.70	3.40	16.60	3.71	18.50	4.38	20.40	5.16
	27	10.20	2.09	12.40	2.67	14.60	3.31	15.70	3.65	16.60	3.98	18.50	4.71	20.40	5.55
	29	10.20	2.24	12.40	2.86	14.60	3.56	15.70	3.93	16.60	4.29	18.50	5.08	20.40	5.98
	31	10.20	2.40	12.40	3.08	14.60	3.83	15.70	4.23	16.60	4.62	18.50	5.47	20.40	6.46
	33	10.20	2.58	12.40	3.31	14.60	4.12	15.70	4.56	16.60	4.98	18.50	5.91	20.40	6.97
	35	10.20	2.78	12.40	3.57	14.60	4.45	15.70	4.92	16.60	5.38	18.50	6.38	20.40	7.53
	37	10.20	3.00	12.40	3.85	14.60	4.81	15.70	5.31	16.60	5.81	18.50	6.89	20.40	8.13
	39	10.20	3.24	12.40	4.16	14.60	5.19	15.70	5.74	16.60	6.28	18.50	7.44	20.40	8.78
43	10.20	3.78	12.40	4.85	14.60	6.05	15.70	6.69	16.20	6.92	17.10	7.36	18.10	8.28	
46	10.20	4.24	12.10	5.12	13.20	5.68	13.70	6.32	14.20	6.54	15.10	6.99	16.10	7.91	
48	9.60	4.28	10.70	4.87	11.80	5.43	12.40	6.07	12.80	6.29	13.80	6.74	14.70	7.66	
60	10	8.70	1.12	10.60	1.39	12.50	1.70	13.40	1.86	14.30	2.01	15.90	2.34	17.50	2.70
	12	8.70	1.16	10.60	1.45	12.50	1.77	13.40	1.94	14.30	2.10	15.90	2.45	17.50	2.84
	14	8.70	1.21	10.60	1.51	12.50	1.85	13.40	2.03	14.30	2.20	15.90	2.57	17.50	2.99
	16	8.70	1.26	10.60	1.59	12.50	1.94	13.40	2.13	14.30	2.31	15.90	2.71	17.50	3.16
	18	8.70	1.32	10.60	1.67	12.50	2.05	13.40	2.25	14.30	2.45	15.90	2.87	17.50	3.35
	20	8.70	1.39	10.60	1.76	12.50	2.17	13.40	2.39	14.30	2.59	15.90	3.05	17.50	3.57
	21	8.70	1.43	10.60	1.81	12.50	2.23	13.40	2.46	14.30	2.67	15.90	3.15	17.50	3.69
	23	8.70	1.51	10.60	1.92	12.50	2.37	13.40	2.62	14.30	2.85	15.90	3.36	17.50	3.94
	25	8.70	1.61	10.60	2.04	12.50	2.53	13.40	2.80	14.30	3.05	15.90	3.60	17.50	4.23
	27	8.70	1.71	10.60	2.18	12.50	2.71	13.40	3.00	14.30	3.27	15.90	3.86	17.50	4.54
	29	8.70	1.83	10.60	2.34	12.50	2.91	13.40	3.22	14.30	3.51	15.90	4.16	17.50	4.89
	31	8.70	1.96	10.60	2.51	12.50	3.13	13.40	3.46	14.30	3.78	15.90	4.48	17.50	5.27
	33	8.70	2.11	10.60	2.70	12.50	3.37	13.40	3.73	14.30	4.07	15.90	4.83	17.50	5.69
	35	8.70	2.27	10.60	2.91	12.50	3.63	13.40	4.02	14.30	4.39	15.90	5.21	17.50	6.14
	37	8.70	2.45	10.60	3.14	12.50	3.92	13.40	4.34	14.30	4.74	15.90	5.63	17.50	6.63
	39	8.70	2.64	10.60	3.39	12.50	4.23	13.40	4.69	14.30	5.12	15.90	6.08	17.50	7.16
43	8.70	3.08	10.60	3.95	12.50	4.94	13.40	5.47	14.30	5.97	15.80	6.70	16.60	7.48	
46	8.70	3.46	10.60	4.44	12.10	5.20	12.60	5.43	13.00	5.95	13.80	6.32	14.60	7.11	
48	8.70	3.73	9.80	4.19	10.80	4.96	11.20	5.18	11.60	5.71	12.50	6.07	13.30	6.86	

10. Capacity Table

AM080BXMWGH

Cooling

TC : Total Capacity, PI : Power Input

Combination, % (Capacity index)	Outdoor temperature (°C, DB)	Indoor temperature (°C, WB)													
		14		16		18		19		20		22		24	
		TC kW	PI kW	TC kW	PI kW	TC kW	PI kW	TC kW	PI kW	TC kW	PI kW	TC kW	PI kW	TC kW	PI kW
50	10	7.30	0.90	8.90	1.13	10.40	1.39	11.20	1.52	11.90	1.65	13.20	1.92	14.60	2.22
	12	7.30	0.94	8.90	1.18	10.40	1.44	11.20	1.58	11.90	1.71	13.20	2.00	14.60	2.32
	14	7.30	0.97	8.90	1.23	10.40	1.50	11.20	1.65	11.90	1.79	13.20	2.10	14.60	2.44
	16	7.30	1.01	8.90	1.28	10.40	1.57	11.20	1.73	11.90	1.88	13.20	2.20	14.60	2.57
	18	7.30	1.06	8.90	1.34	10.40	1.65	11.20	1.82	11.90	1.98	13.20	2.32	14.60	2.71
	20	7.30	1.12	8.90	1.41	10.40	1.74	11.20	1.92	11.90	2.09	13.20	2.46	14.60	2.88
	21	7.30	1.14	8.90	1.45	10.40	1.79	11.20	1.98	11.90	2.15	13.20	2.54	14.60	2.97
	23	7.30	1.21	8.90	1.54	10.40	1.90	11.20	2.10	11.90	2.29	13.20	2.70	14.60	3.17
	25	7.30	1.28	8.90	1.63	10.40	2.03	11.20	2.24	11.90	2.44	13.20	2.88	14.60	3.38
	27	7.30	1.36	8.90	1.74	10.40	2.16	11.20	2.39	11.90	2.61	13.20	3.09	14.60	3.63
	29	7.30	1.46	8.90	1.86	10.40	2.32	11.20	2.56	11.90	2.80	13.20	3.31	14.60	3.90
	31	7.30	1.56	8.90	2.00	10.40	2.49	11.20	2.75	11.90	3.01	13.20	3.56	14.60	4.20
	33	7.30	1.67	8.90	2.15	10.40	2.67	11.20	2.96	11.90	3.24	13.20	3.84	14.60	4.52
	35	7.30	1.80	8.90	2.31	10.40	2.88	11.20	3.19	11.90	3.49	13.20	4.14	14.60	4.88
	37	7.30	1.94	8.90	2.49	10.40	3.11	11.20	3.44	11.90	3.77	13.20	4.47	14.60	5.27
	39	7.30	2.09	8.90	2.69	10.40	3.35	11.20	3.72	11.90	4.07	13.20	4.83	14.60	5.69
43	7.30	2.44	8.90	3.14	10.40	3.91	11.20	4.34	11.90	4.75	13.20	5.63	14.60	6.64	
46	7.30	2.74	8.90	3.52	10.40	4.39	11.20	4.86	11.80	5.00	12.50	5.60	13.10	6.26	
48	7.30	2.96	8.90	3.80	9.70	4.14	10.10	4.62	10.50	4.75	11.10	5.35	11.80	6.02	

NOTE

- The performance table shows the average value of each conditions.

10. Capacity Table

AM080BXMWGH

Heating

TC : Total Capacity, PI : Power Input

Combination, % (Capacity index)	Outdoor temperature (°C, DB)		Indoor temperature (°C, DB)										
			16		18		20		22		24		
			TC	PI	TC	PI	TC	PI	TC	PI	TC	PI	
130	DB	WB											
	-25.0	-25.1	19.90	8.26	19.50	8.70	19.00	9.01	18.50	9.51	18.00	9.95	
	-22.0	-22.2	22.60	8.82	22.20	9.26	21.70	9.57	21.20	10.07	20.20	10.38	
	-20.0	-20.2	24.40	9.20	24.00	9.64	23.50	9.95	22.80	10.45	21.10	10.51	
	-17.0	-17.3	27.10	9.76	26.70	10.20	25.90	10.51	24.20	10.63	22.40	10.70	
	-15.0	-15.3	28.90	10.13	28.40	10.57	26.80	10.63	25.10	10.76	23.30	10.82	
	-12.0	-12.4	31.20	10.70	29.80	10.76	28.10	10.82	26.40	10.95	24.70	11.01	
	-10.0	-10.5	32.10	10.82	30.70	10.88	29.00	10.95	27.30	11.07	25.60	11.13	
	-7.0	-7.6	33.50	11.01	32.00	11.07	30.40	11.13	28.70	11.26	26.70	11.32	
	-5.0	-5.6	34.40	11.13	32.90	11.20	31.30	11.26	29.20	11.32	26.90	11.32	
	-3.0	-3.7	35.30	11.26	33.50	11.32	31.50	11.32	29.40	11.32	27.20	11.32	
	0.0	-0.7	35.80	11.32	33.90	11.32	31.90	11.32	29.80	11.32	27.30	10.36	
	3.0	2.2	36.20	11.32	34.30	11.32	32.30	11.32	29.90	10.47	27.30	9.26	
	5.0	4.1	36.40	11.32	34.50	11.32	32.50	10.91	29.90	9.73	27.30	8.61	
	7.0	6.0	36.70	11.32	34.80	11.19	32.50	10.14	29.90	9.06	27.30	8.04	
	9.0	7.9	36.90	11.32	34.80	10.43	32.50	9.47	29.90	8.48	27.30	7.54	
11.0	9.8	37.10	10.68	34.80	9.75	32.50	8.87	29.90	7.96	27.30	7.10		
13.0	11.8	37.10	10.00	34.80	9.14	32.50	8.33	29.90	7.50	27.30	6.70		
15.0	13.7	37.10	9.40	34.80	8.60	32.50	7.86	29.90	7.09	27.30	6.36		
120	-25.0	-25.1	19.40	8.70	18.90	9.07	18.50	9.51	18.00	9.82	17.60	10.13	
	-22.0	-22.2	22.10	9.26	21.60	9.64	21.20	10.07	20.50	10.38	18.90	10.45	
	-20.0	-20.2	23.90	9.64	23.40	10.01	23.00	10.45	21.40	10.51	19.80	10.57	
	-17.0	-17.3	26.60	10.20	25.70	10.57	24.40	10.63	22.80	10.70	21.20	10.76	
	-15.0	-15.3	28.20	10.57	26.60	10.70	25.30	10.76	23.70	10.82	22.10	10.88	
	-12.0	-12.4	29.60	10.76	28.00	10.88	26.60	10.95	25.00	11.01	23.40	11.07	
	-10.0	-10.5	30.50	10.88	28.90	11.01	27.50	11.07	25.90	11.13	24.30	11.20	
	-7.0	-7.6	31.80	11.07	30.20	11.20	28.90	11.26	27.10	11.32	25.10	11.32	
	-5.0	-5.6	32.70	11.20	31.10	11.32	29.40	11.32	27.40	11.32	25.20	10.67	
	-3.0	-3.7	33.20	11.32	31.40	11.32	29.60	11.32	27.60	11.19	25.20	9.86	
	0.0	-0.7	33.60	11.32	31.70	11.32	30.00	11.20	27.60	9.95	25.20	8.78	
	3.0	2.2	34.00	11.32	32.10	11.05	30.00	9.98	27.60	8.89	25.20	7.86	
	5.0	4.1	34.20	11.28	32.10	10.25	30.00	9.28	27.60	8.27	25.20	7.33	
	7.0	6.0	34.20	10.48	32.10	9.53	30.00	8.64	27.60	7.72	25.20	6.85	
	9.0	7.9	34.20	9.77	32.10	8.90	30.00	8.08	27.60	7.24	25.20	6.44	
	11.0	9.8	34.20	9.14	32.10	8.34	30.00	7.59	27.60	6.81	25.20	6.07	
13.0	11.8	34.20	8.58	32.10	7.84	30.00	7.15	27.60	6.43	25.20	5.74		
15.0	13.7	34.20	8.08	32.10	7.40	30.00	6.76	27.60	6.10	25.20	5.46		
110	-25.0	-25.1	18.80	9.20	18.40	9.51	18.00	9.82	17.60	10.13	16.20	9.59	
	-22.0	-22.2	21.50	9.76	21.10	10.07	20.60	10.38	19.10	10.45	17.60	9.77	
	-20.0	-20.2	23.30	10.13	22.70	10.45	21.50	10.51	20.00	10.57	18.50	9.90	
	-17.0	-17.3	25.40	10.57	24.00	10.63	22.80	10.70	21.40	10.76	19.80	10.09	
	-15.0	-15.3	26.30	10.70	24.90	10.76	23.70	10.82	22.30	10.88	20.70	10.21	
	-12.0	-12.4	27.60	10.88	26.30	10.95	25.10	11.01	23.60	11.07	22.10	10.40	
	-10.0	-10.5	28.50	11.01	27.20	11.07	26.00	11.13	24.50	11.20	23.00	10.52	
	-7.0	-7.6	29.90	11.20	28.50	11.26	27.10	11.32	25.30	11.09	23.10	9.76	
	-5.0	-5.6	30.60	11.32	28.90	11.32	27.40	11.32	25.30	10.23	23.10	9.02	
	-3.0	-3.7	30.90	11.32	29.20	11.32	27.50	10.65	25.30	9.45	23.10	8.34	
	0.0	-0.7	31.20	11.32	29.40	10.50	27.50	9.48	25.30	8.42	23.10	7.44	
	3.0	2.2	31.40	10.33	29.40	9.37	27.50	8.47	25.30	7.54	23.10	6.67	
	5.0	4.1	31.40	9.59	29.40	8.70	27.50	7.88	25.30	7.03	23.10	6.23	
	7.0	6.0	31.40	8.92	29.40	8.11	27.50	7.35	25.30	6.57	23.10	5.83	
	9.0	7.9	31.40	8.33	29.40	7.59	27.50	6.89	25.30	6.17	23.10	5.49	
	11.0	9.8	31.40	7.81	29.40	7.13	27.50	6.48	25.30	5.82	23.10	5.18	
13.0	11.8	31.40	7.35	29.40	6.72	27.50	6.12	25.30	5.51	23.10	4.92		
15.0	13.7	31.40	6.94	29.40	6.36	27.50	5.80	25.30	5.24	23.10	4.68		
100	-25.0	-25.1	18.20	9.64	17.90	9.82	17.50	9.91	16.20	9.10	14.60	8.30	
	-22.0	-22.2	20.90	10.20	20.20	10.38	19.00	10.09	17.50	9.28	16.00	8.49	
	-20.0	-20.2	22.20	10.45	21.10	10.51	19.90	10.22	18.40	9.41	16.90	8.62	
	-17.0	-17.3	23.60	10.63	22.50	10.70	21.30	10.40	19.80	9.60	18.20	8.80	
	-15.0	-15.3	24.50	10.76	23.40	10.82	22.20	10.53	20.70	9.72	19.10	8.93	
	-12.0	-12.4	25.80	10.95	24.70	11.01	23.50	10.72	22.00	9.91	20.50	9.12	
	-10.0	-10.5	26.70	11.07	25.60	11.13	24.40	10.84	22.90	10.03	21.00	9.24	
	-7.0	-7.6	28.10	11.26	26.60	11.32	25.00	10.53	23.00	9.31	21.00	8.19	
	-5.0	-5.6	28.30	11.32	26.80	10.77	25.00	9.72	23.00	8.60	21.00	7.57	
	-3.0	-3.7	28.50	11.00	26.80	9.95	25.00	8.98	23.00	7.95	21.00	7.01	
	0.0	-0.7	28.50	9.78	26.80	8.85	25.00	8.00	23.00	7.10	21.00	6.26	
	3.0	2.2	28.50	8.73	26.80	7.92	25.00	7.16	23.00	6.37	21.00	5.63	
	5.0	4.1	28.50	8.12	26.80	7.37	25.00	6.68	23.00	5.95	21.00	5.27	
	7.0	6.0	28.50	7.57	26.80	6.88	25.00	6.24	23.00	5.57	21.00	4.94	
	9.0	7.9	28.50	7.09	26.80	6.45	25.00	5.86	23.00	5.24	21.00	4.66	
	11.0	9.8	28.50	6.67	26.80	6.08	25.00	5.53	23.00	4.96	21.00	4.41	
13.0	11.8	28.50	6.29	26.80	5.74	25.00	5.23	23.00	4.70	21.00	4.20		
15.0	13.7	28.50	5.96	26.80	5.45	25.00	4.97	23.00	4.48	21.00	4.01		

10. Capacity Table

AM080BXMWGH

Heating

TC : Total Capacity, PI : Power Input

Combination, % (Capacity index)	Outdoor temperature (°C, DB)		Indoor temperature (°C, DB)																			
			16		18		20		22		24											
			TC	PI	TC	PI	TC	PI	TC	PI	TC	PI										
90	DB	WB																				
	-25.0	-25.1	17.70	10.13	17.00	9.86	15.80	9.24	14.40	8.50	13.00	7.38										
	-22.0	-22.2	19.40	10.45	18.30	10.05	17.10	9.43	15.80	8.69	14.40	7.57										
	-20.0	-20.2	20.30	10.57	19.20	10.17	18.00	9.55	16.70	8.81	15.30	7.69										
	-17.0	-17.3	21.70	10.76	20.60	10.36	19.40	9.74	18.00	9.00	16.60	7.88										
	-15.0	-15.3	22.60	10.88	21.50	10.48	20.30	9.86	18.90	9.12	17.50	8.01										
	-12.0	-12.4	23.90	11.07	22.80	10.67	21.60	10.05	20.30	9.31	18.90	8.19										
	-10.0	-10.5	24.80	11.20	23.70	10.80	22.50	10.18	20.70	9.00	18.90	7.93										
	-7.0	-7.6	25.70	11.07	24.10	10.01	22.50	9.01	20.70	7.98	18.90	7.03										
	-5.0	-5.6	25.70	10.21	24.10	9.24	22.50	8.32	20.70	7.37	18.90	6.50										
	-3.0	-3.7	25.70	9.44	24.10	8.54	22.50	7.70	20.70	6.83	18.90	6.03										
	0.0	-0.7	25.70	8.41	24.10	7.62	22.50	6.88	20.70	6.10	18.90	5.40										
	3.0	2.2	25.70	7.52	24.10	6.83	22.50	6.17	20.70	5.49	18.90	4.86										
	5.0	4.1	25.70	7.01	24.10	6.37	22.50	5.76	20.70	5.14	18.90	4.55										
	7.0	6.0	25.70	6.55	24.10	5.96	22.50	5.40	20.70	4.82	18.90	4.28										
	9.0	7.9	25.70	6.15	24.10	5.60	22.50	5.09	20.70	4.55	18.90	4.04										
11.0	9.8	25.70	5.80	24.10	5.29	22.50	4.81	20.70	4.31	18.90	3.84											
13.0	11.8	25.70	5.49	24.10	5.01	22.50	4.56	20.70	4.10	18.90	3.66											
15.0	13.7	25.70	5.21	24.10	4.77	22.50	4.35	20.70	3.91	18.90	3.50											
80	-25.0	-25.1	16.00	9.17	14.90	8.62	13.90	8.09	12.60	7.47	11.40	6.83										
	-22.0	-22.2	17.40	9.36	16.30	8.81	15.20	8.28	14.00	7.66	12.80	7.01										
	-20.0	-20.2	18.30	9.48	17.20	8.93	16.10	8.40	14.90	7.78	13.70	7.14										
	-17.0	-17.3	19.60	9.67	18.50	9.12	17.50	8.59	16.20	7.97	15.00	7.32										
	-15.0	-15.3	20.50	9.79	19.40	9.25	18.40	8.72	17.10	8.09	15.90	7.45										
	-12.0	-12.4	21.90	9.98	20.80	9.43	19.70	8.90	18.40	8.28	16.80	7.27										
	-10.0	-10.5	22.80	10.11	21.40	9.56	20.00	8.61	18.40	7.63	16.80	6.71										
	-7.0	-7.6	22.80	9.38	21.40	8.47	20.00	7.63	18.40	6.77	16.80	5.96										
	-5.0	-5.6	22.80	8.66	21.40	7.83	20.00	7.06	18.40	6.27	16.80	5.51										
	-3.0	-3.7	22.80	8.01	21.40	7.24	20.00	6.53	18.40	5.81	16.80	5.11										
	0.0	-0.7	22.80	7.15	21.40	6.47	20.00	5.85	18.40	5.20	16.80	4.59										
	3.0	2.2	22.80	6.42	21.40	5.82	20.00	5.26	18.40	4.69	16.80	4.14										
	5.0	4.1	22.80	5.99	21.40	5.44	20.00	4.92	18.40	4.39	16.80	3.89										
	7.0	6.0	22.80	5.61	21.40	5.10	20.00	4.62	18.40	4.13	16.80	3.66										
	9.0	7.9	22.80	5.28	21.40	4.81	20.00	4.36	18.40	3.90	16.80	3.47										
	11.0	9.8	22.80	4.99	21.40	4.55	20.00	4.13	18.40	3.71	16.80	3.30										
13.0	11.8	22.80	4.74	21.40	4.33	20.00	3.93	18.40	3.53	16.80	3.15											
15.0	13.7	22.80	4.51	21.40	4.13	20.00	3.76	18.40	3.38	16.80	3.02											
70	-25.0	-25.1	13.80	8.31	12.90	7.81	12.00	6.96	10.90	6.42	9.80	5.88										
	-22.0	-22.2	15.20	8.49	14.20	8.00	13.30	7.14	12.20	6.61	11.20	6.07										
	-20.0	-20.2	16.10	8.62	15.10	8.12	14.20	7.27	13.10	6.73	12.10	6.19										
	-17.0	-17.3	17.40	8.80	16.50	8.31	15.60	7.45	14.50	6.92	13.40	6.38										
	-15.0	-15.3	18.30	8.93	17.40	8.43	16.50	7.58	15.40	7.04	14.30	6.50										
	-12.0	-12.4	19.70	9.12	18.70	8.62	17.50	7.77	16.10	6.88	14.70	6.05										
	-10.0	-10.5	20.00	8.81	18.70	7.95	17.50	7.16	16.10	6.35	14.70	5.59										
	-7.0	-7.6	20.00	7.81	18.70	7.05	17.50	6.36	16.10	5.64	14.70	4.97										
	-5.0	-5.6	20.00	7.22	18.70	6.52	17.50	5.89	16.10	5.22	14.70	4.60										
	-3.0	-3.7	20.00	6.69	18.70	6.05	17.50	5.46	16.10	4.85	14.70	4.28										
	0.0	-0.7	20.00	5.98	18.70	5.42	17.50	4.90	16.10	4.35	14.70	3.85										
	3.0	2.2	20.00	5.39	18.70	4.88	17.50	4.42	16.10	3.93	14.70	3.48										
	5.0	4.1	20.00	5.04	18.70	4.57	17.50	4.14	16.10	3.69	14.70	3.27										
	7.0	6.0	20.00	4.73	18.70	4.30	17.50	3.90	16.10	3.48	14.70	3.09										
	9.0	7.9	20.00	4.47	18.70	4.07	17.50	3.69	16.10	3.30	14.70	2.93										
	11.0	9.8	20.00	4.23	18.70	3.86	17.50	3.51	16.10	3.14	14.70	2.80										
13.0	11.8	20.00	4.03	18.70	3.68	17.50	3.35	16.10	3.00	14.70	2.68											
15.0	13.7	20.00	3.85	18.70	3.52	17.50	3.21	16.10	2.88	14.70	2.57											
60	-25.0	-25.1	11.70	6.96	10.90	6.58	10.10	6.19	9.10	5.40	8.20	4.97										
	-22.0	-22.2	13.00	7.14	12.20	6.77	11.40	6.38	10.50	5.59	9.60	5.15										
	-20.0	-20.2	13.90	7.27	13.10	6.90	12.30	6.51	11.40	5.71	10.50	5.28										
	-17.0	-17.3	15.30	7.46	14.50	7.08	13.70	6.69	12.70	5.90	11.80	5.47										
	-15.0	-15.3	16.20	7.58	15.40	7.21	14.60	6.82	13.60	6.02	12.60	5.59										
	-12.0	-12.4	17.10	7.77	16.10	7.04	15.00	6.34	13.80	5.61	12.60	4.95										
	-10.0	-10.5	17.10	7.17	16.10	6.50	15.00	5.85	13.80	5.18	12.60	4.57										
	-7.0	-7.6	17.10	6.36	16.10	5.77	15.00	5.20	13.80	4.61	12.60	4.07										
	-5.0	-5.6	17.10	5.89	16.10	5.34	15.00	4.82	13.80	4.27	12.60	3.78										
	-3.0	-3.7	17.10	5.46	16.10	4.96	15.00	4.48	13.80	3.97	12.60	3.51										
	0.0	-0.7	17.10	4.90	16.10	4.45	15.00	4.03	13.80	3.58	12.60	3.17										
	3.0	2.2	17.10	4.43	16.10	4.03	15.00	3.64	13.80	3.24	12.60	2.88										
	5.0	4.1	17.10	4.15	16.10	3.78	15.00	3.42	13.80	3.05	12.60	2.71										
	7.0	6.0	17.10	3.91	16.10	3.56	15.00	3.23	13.80	2.88	12.60	2.56										
	9.0	7.9	17.10	3.70	16.10	3.37	15.00	3.06	13.80	2.74	12.60	2.44										
	11.0	9.8	17.10	3.52	16.10	3.21	15.00	2.92	13.80	2.61	12.60	2.33										
13.0	11.8	17.10	3.36	16.10	3.07	15.00	2.79	13.80	2.50	12.60	2.23											
15.0	13.7	17.10	3.22	16.10	2.94	15.00	2.68	13.80	2.40	12.60	2.15											

10. Capacity Table

AM080BXMWGH

Heating

TC : Total Capacity, PI : Power Input

Combination, % (Capacity index)	Outdoor temperature (°C, DB)		Indoor temperature (°C, DB)									
			16		18		20		22		24	
	DB	WB	TC	PI	TC	PI	TC	PI	TC	PI	TC	PI
50	-25.0	-25.1	9.50	5.99	8.80	5.36	8.10	5.04	7.40	4.40	6.60	4.04
	-22.0	-22.2	10.80	6.18	10.20	5.55	9.50	5.23	8.70	4.59	8.00	4.23
	-20.0	-20.2	11.70	6.30	11.10	5.68	10.40	5.35	9.60	4.71	8.90	4.36
	-17.0	-17.3	13.10	6.49	12.40	5.86	11.70	5.54	11.00	4.90	10.20	4.54
	-15.0	-15.3	14.00	6.61	13.30	5.99	12.50	5.66	11.50	5.02	10.50	4.42
	-12.0	-12.4	14.30	6.16	13.40	5.58	12.50	5.02	11.50	4.45	10.50	3.92
	-10.0	-10.5	14.30	5.68	13.40	5.15	12.50	4.63	11.50	4.11	10.50	3.62
	-7.0	-7.6	14.30	5.05	13.40	4.59	12.50	4.13	11.50	3.67	10.50	3.23
	-5.0	-5.6	14.30	4.68	13.40	4.25	12.50	3.83	11.50	3.40	10.50	3.00
	-3.0	-3.7	14.30	4.35	13.40	3.95	12.50	3.56	11.50	3.17	10.50	2.80
	0.0	-0.7	14.30	3.92	13.40	3.56	12.50	3.21	11.50	2.86	10.50	2.53
	3.0	2.2	14.30	3.55	13.40	3.23	12.50	2.92	11.50	2.60	10.50	2.30
	5.0	4.1	14.30	3.34	13.40	3.04	12.50	2.75	11.50	2.45	10.50	2.17
	7.0	6.0	14.30	3.15	13.40	2.87	12.50	2.60	11.50	2.32	10.50	2.06
	9.0	7.9	14.30	2.99	13.40	2.73	12.50	2.47	11.50	2.21	10.50	1.96
	11.0	9.8	14.30	2.85	13.40	2.60	12.50	2.36	11.50	2.11	10.50	1.88
13.0	11.8	14.30	2.73	13.40	2.49	12.50	2.27	11.50	2.03	10.50	1.81	
15.0	13.7	14.30	2.63	13.40	2.40	12.50	2.18	11.50	1.96	10.50	1.74	

NOTE

- The performance table shows the average value of each conditions.

10. Capacity Table

AM100BXMWGH

Cooling

TC : Total Capacity, PI : Power Input

Combination, % (Capacity index)	Outdoor temperature (°C, DB)	Indoor temperature (°C, WB)													
		14		16		18		19		20		22		24	
		TC kW	PI kW	TC kW	PI kW	TC kW	PI kW	TC kW	PI kW	TC kW	PI kW	TC kW	PI kW	TC kW	PI kW
130	10	23.70	4.00	28.80	4.92	33.90	5.92	36.40	6.46	38.60	6.98	43.00	8.13	47.30	9.46
	12	23.70	4.19	28.80	5.17	33.90	6.25	36.40	6.84	38.60	7.41	43.00	8.66	47.30	10.11
	14	23.70	4.40	28.80	5.46	33.90	6.63	36.40	7.27	38.60	7.89	43.00	9.26	47.30	10.84
	16	23.70	4.63	28.80	5.79	33.90	7.06	36.40	7.76	38.60	8.43	43.00	9.92	47.30	11.65
	18	23.70	4.90	28.80	6.15	33.90	7.54	36.40	8.30	38.60	9.03	43.00	10.65	47.30	12.53
	20	23.70	5.21	28.80	6.56	33.90	8.07	36.40	8.90	38.60	9.70	43.00	11.46	47.30	13.51
	21	23.70	5.37	28.80	6.78	33.90	8.36	36.40	9.22	38.60	10.06	43.00	11.90	47.30	14.03
	23	23.70	5.73	28.80	7.26	33.90	8.98	36.40	9.92	38.60	10.83	43.00	12.83	46.10	13.71
	25	23.70	6.13	28.80	7.80	33.90	9.66	36.40	10.69	38.60	11.67	43.00	13.84	44.50	13.39
	27	23.70	6.58	28.80	8.39	33.90	10.41	36.40	11.52	38.60	12.60	41.90	15.52	42.80	13.07
	29	23.70	7.07	28.80	9.04	33.90	11.24	36.40	12.44	38.60	13.60	40.20	13.21	41.10	12.75
	31	23.70	7.61	28.80	9.75	33.90	12.13	36.40	13.43	37.70	13.28	38.60	12.89	39.40	12.44
	33	23.70	8.21	28.80	10.52	33.90	13.10	35.60	13.12	36.00	12.96	36.90	12.57	37.70	12.12
	35	23.70	8.86	28.80	11.36	33.40	13.46	33.90	12.80	34.30	12.65	35.20	12.25	36.10	11.80
	37	23.70	9.57	28.80	12.27	31.70	13.14	32.20	12.48	32.60	12.33	33.50	11.93	34.40	11.48
	39	23.70	10.33	28.80	13.25	30.00	12.82	30.50	12.16	31.00	12.01	31.80	11.61	32.70	11.16
	43	23.30	11.44	25.60	12.61	26.70	12.18	27.20	11.52	27.60	11.37	28.50	10.98	29.30	10.53
	46	20.80	10.96	23.10	12.14	24.10	11.71	24.60	11.05	25.10	10.89	26.00	10.50	26.80	10.05
48	19.10	10.64	21.40	11.82	22.50	11.39	23.00	10.73	23.40	10.58	24.30	10.18	25.10	9.73	
54	14.10	9.69	16.40	10.86	17.40	10.43	17.90	9.77	18.40	9.62	19.20	9.23	20.10	8.78	
120	10	21.80	3.59	26.50	4.43	31.30	5.32	33.60	5.80	35.60	6.26	39.70	7.28	43.70	8.44
	12	21.80	3.75	26.50	4.64	31.30	5.61	33.60	6.13	35.60	6.62	39.70	7.73	43.70	9.00
	14	21.80	3.93	26.50	4.89	31.30	5.93	33.60	6.50	35.60	7.04	39.70	8.24	43.70	9.63
	16	21.80	4.13	26.50	5.17	31.30	6.30	33.60	6.91	35.60	7.50	39.70	8.81	43.70	10.32
	18	21.80	4.36	26.50	5.48	31.30	6.71	33.60	7.38	35.60	8.02	39.70	9.45	43.70	11.09
	20	21.80	4.63	26.50	5.83	31.30	7.17	33.60	7.90	35.60	8.59	39.70	10.15	43.70	11.94
	21	21.80	4.77	26.50	6.03	31.30	7.42	33.60	8.18	35.60	8.91	39.70	10.53	43.70	12.39
	23	21.80	5.08	26.50	6.44	31.30	7.96	33.60	8.78	35.60	9.58	39.70	11.34	43.70	13.36
	25	21.80	5.43	26.50	6.91	31.30	8.56	33.60	9.45	35.60	10.31	39.70	12.23	43.70	14.09
	27	21.80	5.82	26.50	7.42	31.30	9.21	33.60	10.19	35.60	11.12	39.70	13.20	42.10	13.77
	29	21.80	6.25	26.50	7.99	31.30	9.93	33.60	10.99	35.60	12.00	39.60	13.55	40.40	13.45
	31	21.80	6.73	26.50	8.61	31.30	10.72	33.60	11.86	35.60	12.96	37.90	13.24	38.70	13.14
	33	21.80	7.25	26.50	9.29	31.30	11.57	33.60	12.81	35.40	13.31	36.20	12.92	37.00	12.82
	35	21.80	7.82	26.50	10.03	31.30	12.50	33.30	13.16	33.70	12.99	34.50	12.60	35.30	12.50
	37	21.80	8.44	26.50	10.83	31.20	12.83	31.60	12.84	32.00	12.67	32.90	12.28	33.70	12.18
	39	21.80	9.12	26.50	11.70	29.50	12.51	30.00	12.52	30.40	12.36	31.20	11.96	32.00	11.86
	43	21.80	10.64	24.80	11.68	26.10	11.88	26.60	11.88	27.00	11.72	27.80	11.33	28.60	11.23
	46	19.90	10.16	22.20	11.20	23.60	11.40	24.10	11.41	24.50	11.24	25.30	10.85	26.10	10.75
48	18.20	9.84	20.60	10.89	21.90	11.08	22.40	11.09	22.80	10.92	23.60	10.53	24.40	10.43	
54	13.20	8.88	15.50	9.93	16.90	10.13	17.40	10.13	17.80	9.97	18.60	9.58	19.40	9.47	
110	10	20.00	3.21	24.30	3.96	28.60	4.76	30.80	5.19	32.70	5.61	36.30	6.49	40.00	7.52
	12	20.00	3.35	24.30	4.14	28.60	5.01	30.80	5.47	32.70	5.92	36.30	6.88	40.00	8.00
	14	20.00	3.50	24.30	4.35	28.60	5.28	30.80	5.78	32.70	6.27	36.30	7.31	40.00	8.53
	16	20.00	3.67	24.30	4.59	28.60	5.60	30.80	6.14	32.70	6.66	36.30	7.80	40.00	9.12
	18	20.00	3.87	24.30	4.86	28.60	5.95	30.80	6.53	32.70	7.10	36.30	8.34	40.00	9.78
	20	20.00	4.10	24.30	5.16	28.60	6.34	30.80	6.98	32.70	7.60	36.30	8.95	40.00	10.51
	21	20.00	4.22	24.30	5.33	28.60	6.56	30.80	7.22	32.70	7.87	36.30	9.27	40.00	10.90
	23	20.00	4.49	24.30	5.69	28.60	7.02	30.80	7.75	32.70	8.45	36.30	9.98	40.00	11.74
	25	20.00	4.79	24.30	6.09	28.60	7.54	30.80	8.33	32.70	9.08	36.30	10.75	40.00	12.66
	27	20.00	5.13	24.30	6.53	28.60	8.11	30.80	8.96	32.70	9.79	36.30	11.59	40.00	13.67
	29	20.00	5.50	24.30	7.03	28.60	8.73	30.80	9.66	32.70	10.56	36.30	12.51	39.60	13.93
	31	20.00	5.92	24.30	7.57	28.60	9.42	30.80	10.43	32.70	11.39	36.30	13.51	38.00	13.61
	33	20.00	6.37	24.30	8.16	28.60	10.17	30.80	11.26	32.70	12.31	35.50	13.88	36.30	13.29
	35	20.00	6.87	24.30	8.81	28.60	10.98	30.80	12.16	32.70	13.29	33.90	13.56	34.60	12.98
	37	20.00	7.42	24.30	9.52	28.60	11.86	30.80	13.13	31.50	12.97	32.20	13.25	32.90	12.66
	39	20.00	8.01	24.30	10.28	28.60	12.81	29.40	12.81	29.80	12.65	30.50	12.93	31.20	12.34
	43	20.00	9.34	23.60	11.37	25.60	12.17	26.00	12.18	26.40	12.02	27.10	12.29	27.90	11.70
	46	19.00	9.39	21.10	10.90	23.10	11.69	23.50	11.70	23.90	11.54	24.60	11.81	25.40	11.23
48	17.30	9.07	19.40	10.58	21.40	11.37	21.80	11.38	22.20	11.22	22.90	11.50	23.70	10.91	
54	12.30	8.12	14.40	9.62	16.40	10.42	16.80	10.43	17.20	10.27	17.90	10.54	18.60	9.95	

10. Capacity Table

AM100BXMWGH

Cooling

TC : Total Capacity, PI : Power Input

Combination, % (Capacity index)	Outdoor temperature (°C, DB)	Indoor temperature (°C, WB)													
		14		16		18		19		20		22		24	
		TC kW	PI kW	TC kW	PI kW	TC kW	PI kW	TC kW	PI kW	TC kW	PI kW	TC kW	PI kW	TC kW	PI kW
100	10	18.20	2.85	22.10	3.52	26.00	4.24	28.00	4.63	29.70	4.99	33.00	5.79	36.40	6.69
	12	18.20	2.97	22.10	3.68	26.00	4.45	28.00	4.86	29.70	5.25	33.00	6.11	36.40	7.09
	14	18.20	3.10	22.10	3.86	26.00	4.68	28.00	5.12	29.70	5.54	33.00	6.48	36.40	7.53
	16	18.20	3.25	22.10	4.06	26.00	4.94	28.00	5.42	29.70	5.88	33.00	6.89	36.40	8.03
	18	18.20	3.42	22.10	4.29	26.00	5.24	28.00	5.76	29.70	6.25	33.00	7.35	36.40	8.59
	20	18.20	3.61	22.10	4.55	26.00	5.58	28.00	6.14	29.70	6.67	33.00	7.86	36.40	9.21
	21	18.20	3.71	22.10	4.69	26.00	5.76	28.00	6.35	29.70	6.90	33.00	8.14	36.40	9.55
	23	18.20	3.95	22.10	5.00	26.00	6.16	28.00	6.79	29.70	7.40	33.00	8.74	36.40	10.27
	25	18.20	4.20	22.10	5.34	26.00	6.60	28.00	7.29	29.70	7.95	33.00	9.40	36.40	11.07
	27	18.20	4.49	22.10	5.72	26.00	7.09	28.00	7.84	29.70	8.55	33.00	10.13	36.40	11.94
	29	18.20	4.82	22.10	6.15	26.00	7.63	28.00	8.44	29.70	9.21	33.00	10.93	36.40	12.88
	31	18.20	5.17	22.10	6.62	26.00	8.22	28.00	9.10	29.70	9.94	33.00	11.80	36.40	13.91
	33	18.20	5.57	22.10	7.13	26.00	8.87	28.00	9.83	29.70	10.73	33.00	12.74	36.40	15.00
	35	18.20	6.00	22.10	7.69	26.00	9.58	28.00	10.61	29.70	11.59	33.00	13.76	36.40	16.25
	37	18.20	6.48	22.10	8.30	26.00	10.35	28.00	11.46	29.70	12.52	33.00	14.84	36.40	17.66
	39	18.20	6.99	22.10	8.97	26.00	11.18	28.00	12.38	29.70	13.25	33.00	15.96	36.40	19.23
43	18.20	8.16	22.10	10.46	24.50	11.75	25.50	12.38	25.80	12.21	26.50	12.49	27.20	12.00	
46	18.10	8.65	20.00	9.98	22.00	11.27	23.00	11.90	23.30	11.74	24.00	12.01	24.60	11.53	
48	16.40	8.33	18.30	9.66	20.30	10.95	21.30	11.59	21.60	11.42	22.30	11.69	23.00	11.21	
54	11.30	7.37	13.30	8.71	15.30	10.00	16.20	10.63	16.60	10.46	17.20	10.74	17.90	10.25	
90	10	16.40	2.46	19.90	3.05	23.40	3.68	25.20	4.02	26.70	4.33	29.70	5.03	32.80	5.80
	12	16.40	2.56	19.90	3.18	23.40	3.85	25.20	4.21	26.70	4.55	29.70	5.29	32.80	6.13
	14	16.40	2.67	19.90	3.33	23.40	4.04	25.20	4.43	26.70	4.79	29.70	5.59	32.80	6.49
	16	16.40	2.79	19.90	3.49	23.40	4.26	25.20	4.67	26.70	5.06	29.70	5.92	32.80	6.90
	18	16.40	2.93	19.90	3.68	23.40	4.50	25.20	4.95	26.70	5.37	29.70	6.30	32.80	7.36
	20	16.40	3.09	19.90	3.90	23.40	4.78	25.20	5.26	26.70	5.72	29.70	6.73	32.80	7.88
	21	16.40	3.18	19.90	4.01	23.40	4.93	25.20	5.43	26.70	5.91	29.70	6.96	32.80	8.15
	23	16.40	3.37	19.90	4.27	23.40	5.26	25.20	5.81	26.70	6.32	29.70	7.46	32.80	8.76
	25	16.40	3.59	19.90	4.56	23.40	5.63	25.20	6.22	26.70	6.77	29.70	8.01	32.80	9.42
	27	16.40	3.83	19.90	4.88	23.40	6.04	25.20	6.68	26.70	7.28	29.70	8.62	32.80	10.15
	29	16.40	4.10	19.90	5.23	23.40	6.49	25.20	7.18	26.70	7.84	29.70	9.29	32.80	10.94
	31	16.40	4.40	19.90	5.62	23.40	6.99	25.20	7.74	26.70	8.45	29.70	10.02	32.80	11.81
	33	16.40	4.73	19.90	6.06	23.40	7.53	25.20	8.35	26.70	9.11	29.70	10.82	32.80	12.76
	35	16.40	5.09	19.90	6.53	23.40	8.13	25.20	9.01	26.70	9.84	29.70	11.68	32.80	13.78
	37	16.40	5.49	19.90	7.05	23.40	8.78	25.20	9.73	26.70	10.63	29.70	12.62	31.50	13.46
	39	16.40	5.93	19.90	7.61	23.40	9.48	25.20	10.51	26.70	11.48	29.20	12.95	29.80	13.14
43	16.40	6.92	19.90	8.88	23.20	10.48	24.10	11.03	24.80	11.45	25.80	12.31	26.40	12.51	
46	16.40	7.76	18.90	8.91	20.70	10.01	21.60	10.55	22.30	10.97	23.30	11.84	23.90	12.03	
48	15.50	7.44	17.20	8.59	19.00	9.69	19.90	10.23	20.60	10.65	21.60	11.52	22.20	11.71	
54	10.40	6.49	12.20	7.64	14.00	8.73	14.80	9.28	15.60	9.70	16.60	10.56	17.20	10.76	
80	10	14.60	2.11	17.70	2.62	20.80	3.17	22.40	3.46	23.70	3.74	26.40	4.34	29.10	5.01
	12	14.60	2.19	17.70	2.73	20.80	3.30	22.40	3.62	23.70	3.91	26.40	4.55	29.10	5.27
	14	14.60	2.28	17.70	2.85	20.80	3.46	22.40	3.79	23.70	4.10	26.40	4.79	29.10	5.56
	16	14.60	2.38	17.70	2.98	20.80	3.64	22.40	3.99	23.70	4.33	26.40	5.06	29.10	5.89
	18	14.60	2.49	17.70	3.14	20.80	3.84	22.40	4.22	23.70	4.58	26.40	5.37	29.10	6.27
	20	14.60	2.62	17.70	3.31	20.80	4.06	22.40	4.47	23.70	4.86	26.40	5.72	29.10	6.69
	21	14.60	2.70	17.70	3.41	20.80	4.19	22.40	4.61	23.70	5.02	26.40	5.91	29.10	6.91
	23	14.60	2.85	17.70	3.62	20.80	4.46	22.40	4.92	23.70	5.35	26.40	6.31	29.10	7.41
	25	14.60	3.03	17.70	3.85	20.80	4.76	22.40	5.26	23.70	5.73	26.40	6.77	29.10	7.95
	27	14.60	3.23	17.70	4.12	20.80	5.10	22.40	5.64	23.70	6.15	26.40	7.27	29.10	8.56
	29	14.60	3.45	17.70	4.41	20.80	5.47	22.40	6.06	23.70	6.61	26.40	7.83	29.10	9.22
	31	14.60	3.70	17.70	4.74	20.80	5.89	22.40	6.52	23.70	7.12	26.40	8.44	29.10	9.94
	33	14.60	3.98	17.70	5.10	20.80	6.34	22.40	7.03	23.70	7.67	26.40	9.10	29.10	10.73
	35	14.60	4.28	17.70	5.49	20.80	6.84	22.40	7.58	23.70	8.28	26.40	9.83	29.10	11.59
	37	14.60	4.62	17.70	5.92	20.80	7.39	22.40	8.19	23.70	8.94	26.40	10.62	29.10	12.52
	39	14.60	4.98	17.70	6.40	20.80	7.98	22.40	8.84	23.70	9.66	26.40	11.47	29.10	12.85
43	14.60	5.81	17.70	7.46	20.80	9.30	22.40	10.31	23.40	10.68	24.70	11.44	25.70	12.21	
46	14.60	6.52	17.70	8.37	19.40	9.35	20.20	9.83	20.80	10.20	22.20	10.96	23.20	11.74	
48	14.60	6.62	16.10	8.05	17.70	9.03	18.50	9.51	19.20	9.88	20.50	10.64	21.50	11.42	
54	9.50	5.66	11.10	7.10	12.70	8.07	13.40	8.56	14.10	8.93	15.50	9.69	16.50	10.46	

10. Capacity Table

AM100BXMWGH

Cooling

TC : Total Capacity, PI : Power Input

Combination, % (Capacity index)	Outdoor temperature (°C, DB)	Indoor temperature (°C, WB)													
		14		16		18		19		20		22		24	
		TC kW	PI kW	TC kW	PI kW	TC kW	PI kW	TC kW	PI kW	TC kW	PI kW	TC kW	PI kW	TC kW	PI kW
70	10	12.70	1.79	15.50	2.22	18.20	2.70	19.60	2.95	20.80	3.19	23.10	3.70	25.50	4.28
	12	12.70	1.85	15.50	2.31	18.20	2.81	19.60	3.07	20.80	3.33	23.10	3.87	25.50	4.49
	14	12.70	1.92	15.50	2.41	18.20	2.93	19.60	3.21	20.80	3.49	23.10	4.06	25.50	4.72
	16	12.70	2.01	15.50	2.52	18.20	3.07	19.60	3.37	20.80	3.66	23.10	4.28	25.50	4.98
	18	12.70	2.10	15.50	2.64	18.20	3.23	19.60	3.55	20.80	3.86	23.10	4.52	25.50	5.28
	20	12.70	2.21	15.50	2.78	18.20	3.42	19.60	3.76	20.80	4.09	23.10	4.80	25.50	5.62
	21	12.70	2.26	15.50	2.86	18.20	3.52	19.60	3.87	20.80	4.22	23.10	4.95	25.50	5.80
	23	12.70	2.39	15.50	3.03	18.20	3.74	19.60	4.12	20.80	4.49	23.10	5.28	25.50	6.20
	25	12.70	2.54	15.50	3.22	18.20	3.98	19.60	4.39	20.80	4.79	23.10	5.65	25.50	6.64
	27	12.70	2.70	15.50	3.44	18.20	4.25	19.60	4.70	20.80	5.13	23.10	6.06	25.50	7.13
	29	12.70	2.88	15.50	3.67	18.20	4.56	19.60	5.04	20.80	5.51	23.10	6.52	25.50	7.68
	31	12.70	3.09	15.50	3.94	18.20	4.90	19.60	5.42	20.80	5.92	23.10	7.01	25.50	8.27
	33	12.70	3.31	15.50	4.24	18.20	5.27	19.60	5.83	20.80	6.38	23.10	7.56	25.50	8.92
	35	12.70	3.56	15.50	4.56	18.20	5.68	19.60	6.29	20.80	6.88	23.10	8.16	25.50	9.63
	37	12.70	3.84	15.50	4.92	18.20	6.13	19.60	6.79	20.80	7.43	23.10	8.81	25.50	10.40
	39	12.70	4.14	15.50	5.31	18.20	6.62	19.60	7.33	20.80	8.02	23.10	9.52	25.50	11.23
	43	12.70	4.83	15.50	6.19	18.20	7.72	19.60	8.55	20.80	9.36	23.10	10.52	24.20	11.81
	46	12.70	5.42	15.50	6.95	18.10	8.18	18.80	8.57	19.40	9.40	20.50	10.04	21.70	11.34
48	12.70	5.85	15.00	7.06	16.40	7.86	17.10	8.25	17.70	9.09	18.80	9.73	20.00	11.02	
54	8.60	5.28	10.00	6.11	11.40	6.91	12.00	7.30	12.60	8.13	13.80	8.77	15.00	10.06	
60	10	10.90	1.48	13.30	1.86	15.60	2.26	16.80	2.47	17.80	2.67	19.80	3.12	21.80	3.60
	12	10.90	1.53	13.30	1.92	15.60	2.35	16.80	2.57	17.80	2.78	19.80	3.25	21.80	3.76
	14	10.90	1.59	13.30	2.00	15.60	2.45	16.80	2.68	17.80	2.91	19.80	3.40	21.80	3.94
	16	10.90	1.66	13.30	2.09	15.60	2.56	16.80	2.80	17.80	3.04	19.80	3.57	21.80	4.15
	18	10.90	1.73	13.30	2.19	15.60	2.69	16.80	2.95	17.80	3.20	19.80	3.76	21.80	4.38
	20	10.90	1.82	13.30	2.30	15.60	2.83	16.80	3.11	17.80	3.38	19.80	3.98	21.80	4.65
	21	10.90	1.86	13.30	2.36	15.60	2.91	16.80	3.20	17.80	3.48	19.80	4.10	21.80	4.79
	23	10.90	1.96	13.30	2.49	15.60	3.08	16.80	3.39	17.80	3.69	19.80	4.36	21.80	5.10
	25	10.90	2.08	13.30	2.65	15.60	3.28	16.80	3.61	17.80	3.94	19.80	4.65	21.80	5.45
	27	10.90	2.21	13.30	2.82	15.60	3.50	16.80	3.85	17.80	4.21	19.80	4.98	21.80	5.84
	29	10.90	2.35	13.30	3.01	15.60	3.74	16.80	4.13	17.80	4.51	19.80	5.34	21.80	6.28
	31	10.90	2.52	13.30	3.22	15.60	4.01	16.80	4.43	17.80	4.84	19.80	5.74	21.80	6.75
	33	10.90	2.70	13.30	3.46	15.60	4.31	16.80	4.76	17.80	5.21	19.80	6.18	21.80	7.28
	35	10.90	2.90	13.30	3.72	15.60	4.64	16.80	5.13	17.80	5.61	19.80	6.66	21.80	7.85
	37	10.90	3.12	13.30	4.01	15.60	5.00	16.80	5.53	17.80	6.05	19.80	7.19	21.80	8.48
	39	10.90	3.37	13.30	4.33	15.60	5.40	16.80	5.98	17.80	6.54	19.80	7.76	21.80	9.15
	43	10.90	3.93	13.30	5.05	15.60	6.30	16.80	6.97	17.80	7.63	19.80	9.06	21.80	10.68
	46	10.90	4.41	13.30	5.66	15.60	7.07	16.80	7.82	17.80	8.56	18.90	9.09	19.90	10.20
48	10.90	4.76	13.30	6.11	15.10	7.19	15.70	7.50	16.20	8.24	17.20	8.77	18.20	9.88	
54	7.70	4.50	8.90	5.16	10.10	6.23	10.60	6.55	11.10	7.28	12.20	7.82	13.20	8.93	
50	10	9.10	1.20	11.10	1.51	13.00	1.84	14.00	2.02	14.80	2.19	16.50	2.55	18.20	2.96
	12	9.10	1.24	11.10	1.56	13.00	1.91	14.00	2.10	14.80	2.27	16.50	2.66	18.20	3.08
	14	9.10	1.29	11.10	1.62	13.00	1.98	14.00	2.18	14.80	2.37	16.50	2.77	18.20	3.22
	16	9.10	1.34	11.10	1.69	13.00	2.07	14.00	2.28	14.80	2.47	16.50	2.90	18.20	3.38
	18	9.10	1.40	11.10	1.76	13.00	2.17	14.00	2.39	14.80	2.59	16.50	3.04	18.20	3.55
	20	9.10	1.46	11.10	1.85	13.00	2.28	14.00	2.51	14.80	2.73	16.50	3.21	18.20	3.75
	21	9.10	1.50	11.10	1.90	13.00	2.34	14.00	2.58	14.80	2.81	16.50	3.30	18.20	3.86
	23	9.10	1.58	11.10	2.00	13.00	2.47	14.00	2.73	14.80	2.97	16.50	3.50	18.20	4.10
	25	9.10	1.67	11.10	2.12	13.00	2.62	14.00	2.89	14.80	3.16	16.50	3.72	18.20	4.37
	27	9.10	1.77	11.10	2.25	13.00	2.79	14.00	3.08	14.80	3.37	16.50	3.98	18.20	4.67
	29	9.10	1.88	11.10	2.40	13.00	2.98	14.00	3.30	14.80	3.60	16.50	4.26	18.20	5.01
	31	9.10	2.01	11.10	2.57	13.00	3.19	14.00	3.53	14.80	3.86	16.50	4.57	18.20	5.38
	33	9.10	2.15	11.10	2.75	13.00	3.42	14.00	3.79	14.80	4.14	16.50	4.91	18.20	5.79
	35	9.10	2.31	11.10	2.96	13.00	3.68	14.00	4.08	14.80	4.46	16.50	5.29	18.20	6.24
	37	9.10	2.49	11.10	3.19	13.00	3.97	14.00	4.40	14.80	4.81	16.50	5.71	18.20	6.73
	39	9.10	2.68	11.10	3.44	13.00	4.28	14.00	4.75	14.80	5.19	16.50	6.16	18.20	7.27
	43	9.10	3.12	11.10	4.01	13.00	4.99	14.00	5.54	14.80	6.05	16.50	7.19	18.20	8.48
	46	9.10	3.50	11.10	4.50	13.00	5.60	14.00	6.21	14.80	6.79	16.50	8.07	18.10	9.00
48	9.10	3.78	11.10	4.86	13.00	6.05	14.00	6.71	14.70	6.90	15.50	7.75	16.40	8.68	
54	6.80	3.77	7.80	4.61	8.70	5.09	9.20	5.75	9.70	5.95	10.50	6.79	11.30	7.73	

NOTE

- The performance table shows the average value of each conditions.

10. Capacity Table

AM100BXMWGH

Heating

TC : Total Capacity, PI : Power Input

Combination, % (Capacity index)	Outdoor temperature (°C, DB)		Indoor temperature (°C, DB)									
			16		18		20		22		24	
	DB	WB	TC	PI	TC	PI	TC	PI	TC	PI	TC	PI
130	-25.0	-25.1	26.70	8.52	26.10	9.02	25.60	9.44	24.90	10.02	24.20	10.61
	-22.0	-22.2	30.10	9.27	29.50	9.77	29.00	10.19	28.30	10.77	27.50	11.36
	-20.0	-20.2	32.40	9.77	31.80	10.27	31.20	10.69	30.60	11.28	28.50	11.53
	-17.0	-17.3	35.80	10.52	35.20	11.02	34.60	11.44	32.30	11.69	29.90	11.78
	-15.0	-15.3	38.00	11.02	37.50	11.53	35.90	11.78	33.30	11.86	30.80	11.94
	-12.0	-12.4	41.40	11.78	39.50	11.94	37.30	12.03	34.50	12.11	31.90	12.11
	-10.0	-10.5	42.40	12.11	40.00	12.11	37.60	12.11	34.80	12.11	32.20	12.11
	-7.0	-7.6	42.90	12.11	40.50	12.11	38.10	12.11	35.30	12.11	32.70	12.11
	-5.0	-5.6	43.20	12.11	40.80	12.11	38.40	12.11	35.60	12.11	33.00	12.11
	-3.0	-3.7	43.50	12.11	41.10	12.11	38.70	12.11	35.90	12.11	33.30	12.11
	0.0	-0.7	44.00	12.11	41.60	12.11	39.20	12.11	36.40	12.11	33.80	12.11
	3.0	2.2	44.50	12.11	42.10	12.11	39.70	12.11	36.90	12.11	34.20	12.11
	5.0	4.1	44.80	12.11	42.40	12.11	40.00	12.11	37.20	12.11	34.40	11.52
	7.0	6.0	45.10	12.11	42.70	12.11	40.30	12.11	37.50	12.11	34.40	10.75
	9.0	7.9	45.40	12.11	43.00	12.11	40.60	12.11	37.70	11.34	34.40	10.08
	11.0	9.8	45.70	12.11	43.30	12.11	41.00	11.86	37.70	10.64	34.40	9.48
13.0	11.8	46.10	12.11	43.70	12.11	41.00	11.15	37.70	10.02	34.40	8.95	
15.0	13.7	46.40	12.11	43.80	11.51	41.00	10.52	37.70	9.47	34.40	8.49	
120	-25.0	-25.1	26.00	9.10	25.50	9.44	24.90	9.86	24.30	10.44	23.70	10.77
	-22.0	-22.2	29.40	9.86	28.90	10.19	28.30	10.61	27.70	11.19	25.80	11.36
	-20.0	-20.2	31.70	10.36	31.10	10.69	30.60	11.11	29.00	11.53	26.70	11.53
	-17.0	-17.3	35.10	11.11	34.50	11.44	32.80	11.69	30.40	11.78	28.20	11.78
	-15.0	-15.3	37.30	11.61	35.80	11.78	33.70	11.86	31.30	11.94	29.10	11.94
	-12.0	-12.4	39.00	12.03	37.20	12.03	35.00	12.11	32.40	12.11	29.90	12.11
	-10.0	-10.5	39.60	12.11	37.50	12.11	35.30	12.11	32.70	12.11	30.20	12.11
	-7.0	-7.6	40.10	12.11	37.90	12.11	35.80	12.11	33.20	12.11	30.60	12.11
	-5.0	-5.6	40.40	12.11	38.20	12.11	36.10	12.11	33.50	12.11	31.00	12.11
	-3.0	-3.7	40.70	12.11	38.60	12.11	36.40	12.11	33.80	12.11	31.30	12.11
	0.0	-0.7	41.20	12.11	39.00	12.11	36.90	12.11	34.30	12.11	31.80	11.76
	3.0	2.2	41.70	12.11	39.50	12.11	37.30	12.11	34.80	11.91	31.80	10.52
	5.0	4.1	42.00	12.11	39.80	12.11	37.60	12.11	34.80	11.08	31.80	9.80
	7.0	6.0	42.30	12.11	40.10	12.11	37.80	11.56	34.80	10.33	31.80	9.16
	9.0	7.9	42.60	12.11	40.50	11.91	37.80	10.81	34.80	9.68	31.80	8.60
	11.0	9.8	42.90	12.11	40.50	11.15	37.80	10.15	34.80	9.10	31.80	8.11
13.0	11.8	43.10	11.46	40.50	10.49	37.80	9.56	34.80	8.59	31.80	7.67	
15.0	13.7	43.10	10.79	40.50	9.89	37.80	9.03	34.80	8.14	31.80	7.29	
110	-25.0	-25.1	25.30	9.61	24.80	10.02	24.30	10.44	23.70	10.77	22.50	11.02
	-22.0	-22.2	28.70	10.36	28.20	10.77	27.70	11.19	26.10	11.36	24.10	11.44
	-20.0	-20.2	30.90	10.86	30.50	11.28	29.00	11.53	27.00	11.53	25.00	11.61
	-17.0	-17.3	34.30	11.61	32.40	11.69	30.40	11.78	28.40	11.78	26.40	11.86
	-15.0	-15.3	35.20	11.78	33.40	11.86	31.40	11.94	29.40	11.94	27.40	12.03
	-12.0	-12.4	36.60	12.03	34.60	12.11	32.40	12.11	30.10	12.11	28.00	12.11
	-10.0	-10.5	36.80	12.11	34.90	12.11	32.80	12.11	30.50	12.11	28.30	12.11
	-7.0	-7.6	37.30	12.11	35.30	12.11	33.20	12.11	30.90	12.11	28.80	12.11
	-5.0	-5.6	37.60	12.11	35.70	12.11	33.50	12.11	31.30	12.11	29.10	12.08
	-3.0	-3.7	37.90	12.11	36.00	12.11	33.90	12.11	31.60	12.11	29.10	11.17
	0.0	-0.7	38.40	12.11	36.50	12.11	34.30	12.11	31.90	11.28	29.10	9.96
	3.0	2.2	38.90	12.11	36.90	12.11	34.70	11.34	31.90	10.10	29.10	8.93
	5.0	4.1	39.20	12.11	37.10	11.66	34.70	10.55	31.90	9.41	29.10	8.33
	7.0	6.0	39.50	11.93	37.10	10.86	34.70	9.84	31.90	8.79	29.10	7.80
	9.0	7.9	39.50	11.14	37.10	10.16	34.70	9.22	31.90	8.25	29.10	7.34
	11.0	9.8	39.50	10.44	37.10	9.54	34.70	8.67	31.90	7.78	29.10	6.93
13.0	11.8	39.50	9.82	37.10	8.99	34.70	8.19	31.90	7.36	29.10	6.57	
15.0	13.7	39.50	9.27	37.10	8.50	34.70	7.76	31.90	6.99	29.10	6.25	
100	-25.0	-25.1	24.60	10.19	24.10	10.44	23.70	10.96	22.40	11.02	20.90	11.19
	-22.0	-22.2	28.00	10.94	27.50	11.19	26.10	11.36	24.10	11.44	22.40	11.44
	-20.0	-20.2	30.10	11.44	28.50	11.53	27.00	11.53	25.10	11.61	23.30	11.61
	-17.0	-17.3	31.60	11.69	29.90	11.78	28.40	11.78	26.50	11.86	24.70	11.86
	-15.0	-15.3	32.50	11.86	30.90	11.94	29.40	11.94	27.40	12.03	25.70	12.03
	-12.0	-12.4	33.50	12.11	31.80	12.11	30.10	12.11	28.00	12.11	26.00	12.11
	-10.0	-10.5	33.90	12.11	32.10	12.11	30.40	12.11	28.40	12.11	26.30	12.11
	-7.0	-7.6	34.30	12.11	32.60	12.11	30.90	12.11	28.80	12.11	26.50	10.99
	-5.0	-5.6	34.70	12.11	32.90	12.11	31.20	12.11	29.00	11.54	26.50	10.16
	-3.0	-3.7	35.00	12.11	33.20	12.11	31.50	12.03	29.00	10.67	26.50	9.40
	0.0	-0.7	35.40	12.11	33.70	11.86	31.50	10.72	29.00	9.52	26.50	8.40
	3.0	2.2	35.90	11.69	33.70	10.60	31.50	9.59	29.00	8.54	26.50	7.55
	5.0	4.1	35.90	10.87	33.70	9.87	31.50	8.94	29.00	7.97	26.50	7.06
	7.0	6.0	35.90	10.13	33.70	9.21	31.50	8.35	29.00	7.46	26.50	6.62
	9.0	7.9	35.90	9.49	33.70	8.64	31.50	7.84	29.00	7.02	26.50	6.24
	11.0	9.8	35.90	8.92	33.70	8.13	31.50	7.39	29.00	6.63	26.50	5.91
13.0	11.8	35.90	8.41	33.70	7.68	31.50	6.99	29.00	6.29	26.50	5.62	
15.0	13.7	35.90	7.96	33.70	7.28	31.50	6.64	29.00	5.99	26.50	5.36	

10. Capacity Table

AM100BXMWGH

Heating

TC : Total Capacity, PI : Power Input

Combination, % (Capacity index)	Outdoor temperature (°C, DB)		Indoor temperature (°C, DB)									
			16		18		20		22		24	
			TC	PI	TC	PI	TC	PI	TC	PI	TC	PI
	DB	WB	kW	kW	kW	kW	kW	kW	kW	kW	kW	kW
90	-25.0	-25.1	23.80	10.77	23.10	11.02	22.10	11.02	20.60	11.28	19.00	11.28
	-22.0	-22.2	26.50	11.36	25.00	11.44	23.70	11.44	22.00	11.53	20.50	11.53
	-20.0	-20.2	27.40	11.53	26.00	11.61	24.70	11.61	23.00	11.69	21.40	11.69
	-17.0	-17.3	28.80	11.78	27.40	11.86	26.10	11.86	24.40	11.94	22.80	11.94
	-15.0	-15.3	29.80	11.94	28.30	12.03	27.00	12.03	25.30	12.11	23.50	12.11
	-12.0	-12.4	30.60	12.11	29.10	12.11	27.60	12.11	25.80	12.11	23.80	11.53
	-10.0	-10.5	30.90	12.11	29.40	12.11	27.90	12.11	26.10	12.09	23.80	10.63
	-7.0	-7.6	31.40	12.11	29.90	12.11	28.40	12.09	26.10	10.71	23.80	9.43
	-5.0	-5.6	31.70	12.11	30.20	12.11	28.40	11.16	26.10	9.90	23.80	8.72
	-3.0	-3.7	32.00	12.11	30.30	11.44	28.40	10.32	26.10	9.16	23.80	8.08
	0.0	-0.7	32.30	11.25	30.30	10.20	28.40	9.22	26.10	8.19	23.80	7.23
	3.0	2.2	32.30	10.07	30.30	9.14	28.40	8.27	26.10	7.36	23.80	6.51
	5.0	4.1	32.30	9.38	30.30	8.52	28.40	7.72	26.10	6.88	23.80	6.10
	7.0	6.0	32.30	8.76	30.30	7.97	28.40	7.23	26.10	6.45	23.80	5.73
	9.0	7.9	32.30	8.22	30.30	7.49	28.40	6.81	26.10	6.08	23.80	5.41
	11.0	9.8	32.30	7.75	30.30	7.07	28.40	6.43	26.10	5.76	23.80	5.13
	13.0	11.8	32.30	7.33	30.30	6.70	28.40	6.10	26.10	5.47	23.80	4.89
15.0	13.7	32.30	6.96	30.30	6.37	28.40	5.82	26.10	5.22	23.80	4.68	
80	-25.0	-25.1	22.30	11.02	21.20	11.19	20.00	11.28	18.60	11.28	17.00	10.75
	-22.0	-22.2	23.90	11.44	22.60	11.44	21.40	11.53	20.10	11.53	18.40	11.00
	-20.0	-20.2	24.80	11.61	23.60	11.61	22.30	11.69	21.00	11.69	19.40	11.16
	-17.0	-17.3	26.30	11.86	25.00	11.86	23.70	11.94	22.40	11.94	20.80	11.41
	-15.0	-15.3	27.20	12.03	25.90	12.03	24.60	12.11	23.00	12.11	21.20	11.03
	-12.0	-12.4	27.80	12.11	26.30	12.11	25.00	12.11	23.20	11.09	21.20	9.76
	-10.0	-10.5	28.10	12.11	26.60	12.11	25.20	11.56	23.20	10.22	21.20	9.00
	-7.0	-7.6	28.60	12.11	27.00	11.35	25.20	10.24	23.20	9.07	21.20	7.99
	-5.0	-5.6	28.70	11.60	27.00	10.48	25.20	9.47	23.20	8.39	21.20	7.40
	-3.0	-3.7	28.70	10.72	27.00	9.70	25.20	8.77	23.20	7.77	21.20	6.86
	0.0	-0.7	28.70	9.57	27.00	8.67	25.20	7.84	23.20	6.96	21.20	6.15
	3.0	2.2	28.70	8.58	27.00	7.79	25.20	7.05	23.20	6.27	21.20	5.55
	5.0	4.1	28.70	8.01	27.00	7.28	25.20	6.60	23.20	5.87	21.20	5.21
	7.0	6.0	28.70	7.50	27.00	6.82	25.20	6.19	23.20	5.52	21.20	4.90
	9.0	7.9	28.70	7.06	27.00	6.43	25.20	5.84	23.20	5.22	21.20	4.64
	11.0	9.8	28.70	6.67	27.00	6.08	25.20	5.53	23.20	4.95	21.20	4.41
	13.0	11.8	28.70	6.32	27.00	5.78	25.20	5.26	23.20	4.72	21.20	4.21
15.0	13.7	28.70	6.02	27.00	5.51	25.20	5.03	23.20	4.51	21.20	4.03	
70	-25.0	-25.1	19.80	11.28	18.90	11.28	17.80	10.97	16.20	10.13	14.70	8.84
	-22.0	-22.2	21.20	11.53	20.30	11.53	19.20	11.22	17.60	10.38	16.10	9.09
	-20.0	-20.2	22.10	11.69	21.20	11.69	20.20	11.39	18.60	10.55	17.00	9.26
	-17.0	-17.3	23.50	11.94	22.60	11.94	21.60	11.64	20.00	10.80	18.40	9.51
	-15.0	-15.3	24.40	12.11	23.30	12.11	22.10	11.81	20.30	10.44	18.50	9.21
	-12.0	-12.4	24.80	12.11	23.60	11.60	22.10	10.44	20.30	9.24	18.50	8.15
	-10.0	-10.5	25.10	11.82	23.60	10.69	22.10	9.63	20.30	8.52	18.50	7.52
	-7.0	-7.6	25.10	10.48	23.60	9.48	22.10	8.54	20.30	7.57	18.50	6.68
	-5.0	-5.6	25.10	9.68	23.60	8.77	22.10	7.91	20.30	7.01	18.50	6.19
	-3.0	-3.7	25.10	8.96	23.60	8.12	22.10	7.33	20.30	6.50	18.50	5.75
	0.0	-0.7	25.10	8.02	23.60	7.27	22.10	6.57	20.30	5.84	18.50	5.17
	3.0	2.2	25.10	7.21	23.60	6.55	22.10	5.92	20.30	5.27	18.50	4.67
	5.0	4.1	25.10	6.74	23.60	6.13	22.10	5.55	20.30	4.95	18.50	4.39
	7.0	6.0	25.10	6.33	23.60	5.76	22.10	5.22	20.30	4.66	18.50	4.14
	9.0	7.9	25.10	5.97	23.60	5.44	22.10	4.94	20.30	4.41	18.50	3.93
	11.0	9.8	25.10	5.66	23.60	5.16	22.10	4.69	20.30	4.20	18.50	3.74
	13.0	11.8	25.10	5.38	23.60	4.92	22.10	4.47	20.30	4.01	18.50	3.58
15.0	13.7	25.10	5.14	23.60	4.70	22.10	4.28	20.30	3.85	18.50	3.43	
60	-25.0	-25.1	17.20	11.36	16.20	10.36	15.00	9.26	13.60	8.58	12.30	7.46
	-22.0	-22.2	18.60	11.61	17.60	10.61	16.40	9.51	15.10	8.83	13.70	7.71
	-20.0	-20.2	19.60	11.78	18.50	10.78	17.40	9.68	16.00	9.00	14.70	7.88
	-17.0	-17.3	21.00	12.03	19.90	11.03	18.80	9.93	17.40	9.25	15.90	8.13
	-15.0	-15.3	21.60	11.83	20.20	10.67	18.90	9.61	17.40	8.52	15.90	7.49
	-12.0	-12.4	21.60	10.46	20.20	9.44	18.90	8.50	17.40	7.54	15.90	6.63
	-10.0	-10.5	21.60	9.64	20.20	8.70	18.90	7.85	17.40	6.96	15.90	6.12
	-7.0	-7.6	21.60	8.56	20.20	7.73	18.90	6.97	17.40	6.19	15.90	5.45
	-5.0	-5.6	21.60	7.92	20.20	7.16	18.90	6.46	17.40	5.74	15.90	5.06
	-3.0	-3.7	21.60	7.34	20.20	6.64	18.90	6.00	17.40	5.33	15.90	4.70
	0.0	-0.7	21.60	6.59	20.20	5.96	18.90	5.39	17.40	4.80	15.90	4.24
	3.0	2.2	21.60	5.94	20.20	5.39	18.90	4.88	17.40	4.35	15.90	3.84
	5.0	4.1	21.60	5.57	20.20	5.05	18.90	4.58	17.40	4.09	15.90	3.62
	7.0	6.0	21.60	5.24	20.20	4.76	18.90	4.32	17.40	3.86	15.90	3.42
	9.0	7.9	21.60	4.96	20.20	4.51	18.90	4.10	17.40	3.67	15.90	3.25
	11.0	9.8	21.60	4.71	20.20	4.29	18.90	3.90	17.40	3.49	15.90	3.10
	13.0	11.8	21.60	4.49	20.20	4.10	18.90	3.73	17.40	3.35	15.90	2.98
15.0	13.7	21.60	4.30	20.20	3.93	18.90	3.58	17.40	3.22	15.90	2.86	

10. Capacity Table

AM100BXMWGH

Heating

TC : Total Capacity, PI : Power Input

Combination, % (Capacity index)	Outdoor temperature (°C, DB)		Indoor temperature (°C, DB)									
			16		18		20		22		24	
	DB	WB	TC	PI	TC	PI	TC	PI	TC	PI	TC	PI
50	-25.0	-25.1	14.20	8.98	13.20	8.51	12.20	7.60	11.10	6.66	9.90	6.15
	-22.0	-22.2	15.60	9.23	14.60	8.76	13.60	7.85	12.50	6.91	11.40	6.40
	-20.0	-20.2	16.50	9.40	15.50	8.93	14.50	8.02	13.40	7.08	12.30	6.57
	-17.0	-17.3	17.90	9.65	16.90	9.18	15.80	8.27	14.50	7.33	13.20	6.47
	-15.0	-15.3	18.00	9.34	16.90	8.45	15.80	7.62	14.50	6.75	13.20	5.96
	-12.0	-12.4	18.00	8.27	16.90	7.49	15.80	6.75	14.50	5.98	13.20	5.28
	-10.0	-10.5	18.00	7.63	16.90	6.91	15.80	6.23	14.50	5.53	13.20	4.88
	-7.0	-7.6	18.00	6.78	16.90	6.15	15.80	5.55	14.50	4.92	13.20	4.35
	-5.0	-5.6	18.00	6.29	16.90	5.70	15.80	5.15	14.50	4.57	13.20	4.04
	-3.0	-3.7	18.00	5.84	16.90	5.30	15.80	4.78	14.50	4.25	13.20	3.76
	0.0	-0.7	18.00	5.25	16.90	4.77	15.80	4.31	14.50	3.84	13.20	3.40
	3.0	2.2	18.00	4.76	16.90	4.32	15.80	3.91	14.50	3.49	13.20	3.09
	5.0	4.1	18.00	4.47	16.90	4.07	15.80	3.68	14.50	3.29	13.20	2.91
	7.0	6.0	18.00	4.22	16.90	3.84	15.80	3.48	14.50	3.11	13.20	2.76
	9.0	7.9	18.00	4.01	16.90	3.65	15.80	3.31	14.50	2.96	13.20	2.63
	11.0	9.8	18.00	3.82	16.90	3.48	15.80	3.16	14.50	2.83	13.20	2.52
13.0	11.8	18.00	3.65	16.90	3.33	15.80	3.03	14.50	2.72	13.20	2.42	
15.0	13.7	18.00	3.51	16.90	3.21	15.80	2.91	14.50	2.62	13.20	2.33	

NOTE

- The performance table shows the average value of each conditions.

10. Capacity Table

AM120BXMWGH

Cooling

TC : Total Capacity, PI : Power Input

Combination, % (Capacity index)	Outdoor temperature (°C, DB)	Indoor temperature (°C, WB)													
		14		16		18		19		20		22		24	
		TC kW	PI kW	TC kW	PI kW	TC kW	PI kW	TC kW	PI kW	TC kW	PI kW	TC kW	PI kW	TC kW	PI kW
130	10	28.40	4.27	34.50	5.28	40.60	6.40	43.70	7.01	46.30	7.60	51.50	8.93	56.80	10.48
	12	28.40	4.49	34.50	5.59	40.60	6.81	43.70	7.48	46.30	8.12	51.50	9.57	56.80	11.27
	14	28.40	4.75	34.50	5.94	40.60	7.27	43.70	8.00	46.30	8.71	51.50	10.29	56.80	12.14
	16	28.40	5.04	34.50	6.33	40.60	7.78	43.70	8.58	46.30	9.35	51.50	11.08	56.80	13.09
	18	28.40	5.36	34.50	6.77	40.60	8.35	43.70	9.22	46.30	10.06	51.50	11.94	56.80	14.13
	20	28.40	5.72	34.50	7.25	40.60	8.98	43.70	9.93	46.30	10.84	51.50	12.88	56.10	14.50
	21	28.40	5.92	34.50	7.52	40.60	9.32	43.70	10.31	46.30	11.26	51.50	13.39	55.10	14.32
	23	28.40	6.35	34.50	8.08	40.60	10.04	43.70	11.12	46.30	12.15	51.50	14.46	53.00	13.96
	25	28.40	6.82	34.50	8.70	40.60	10.83	43.70	12.00	46.30	13.12	50.00	14.10	51.00	13.61
	27	28.40	7.34	34.50	9.39	40.60	11.69	43.70	12.96	46.30	14.17	48.00	13.74	49.00	13.25
	29	28.40	7.91	34.50	10.13	40.60	12.63	43.70	14.00	44.90	13.81	45.90	13.38	47.00	12.89
	31	28.40	8.53	34.50	10.94	40.60	13.64	42.40	13.64	42.90	13.46	43.90	13.03	45.00	12.53
	33	28.40	9.21	34.50	11.81	39.70	14.00	40.30	13.28	40.90	13.10	41.90	12.67	43.00	12.18
	35	28.40	9.95	34.50	12.76	37.70	13.64	38.30	12.92	38.80	12.74	39.90	12.31	40.90	11.82
37	28.40	10.75	34.50	13.08	35.70	13.28	36.30	12.57	36.80	12.38	37.90	11.95	38.90	11.46	
39	28.40	11.60	32.50	12.72	33.70	12.92	34.30	12.21	34.80	12.03	35.90	11.59	36.90	11.10	
43	25.60	11.52	28.40	12.01	29.60	12.21	30.30	11.49	30.80	11.31	31.80	10.88	32.90	10.39	
46	22.60	10.98	25.40	11.47	26.60	11.67	27.20	10.96	27.80	10.77	28.80	10.34	29.90	9.85	
48	20.60	10.62	23.40	11.11	24.60	11.31	25.20	10.60	25.70	10.42	26.80	9.99	27.80	9.49	
54	14.50	9.55	17.30	10.04	18.60	10.24	19.20	9.53	19.70	9.34	20.70	8.91	21.80	8.42	
120	10	26.20	3.83	31.90	4.74	37.50	5.72	40.30	6.26	42.70	6.78	47.60	7.94	52.40	9.29
	12	26.20	4.02	31.90	5.00	37.50	6.07	40.30	6.66	42.70	7.23	47.60	8.50	52.40	9.97
	14	26.20	4.24	31.90	5.30	37.50	6.47	40.30	7.11	42.70	7.73	47.60	9.11	52.40	10.72
	16	26.20	4.49	31.90	5.64	37.50	6.91	40.30	7.61	42.70	8.29	47.60	9.79	52.40	11.54
	18	26.20	4.77	31.90	6.02	37.50	7.40	40.30	8.17	42.70	8.90	47.60	10.54	52.40	12.44
	20	26.20	5.09	31.90	6.44	37.50	7.95	40.30	8.78	42.70	9.58	47.60	11.36	52.40	13.43
	21	26.20	5.26	31.90	6.66	37.50	8.24	40.30	9.11	42.70	9.95	47.60	11.80	52.40	13.95
	23	26.20	5.63	31.90	7.16	37.50	8.87	40.30	9.82	42.70	10.72	47.60	12.74	52.20	14.32
	25	26.20	6.04	31.90	7.70	37.50	9.57	40.30	10.59	42.70	11.57	47.60	13.76	50.20	13.96
	27	26.20	6.49	31.90	8.30	37.50	10.32	40.30	11.43	42.70	12.50	47.20	14.12	48.10	13.60
	29	26.20	7.00	31.90	8.95	37.50	11.15	40.30	12.35	42.70	13.50	45.20	13.76	46.10	13.25
	31	26.20	7.54	31.90	9.66	37.50	12.04	40.30	13.34	42.20	13.85	43.10	13.40	44.10	12.89
	33	26.20	8.14	31.90	10.43	37.50	13.00	39.70	13.68	40.20	13.49	41.10	13.04	42.10	12.53
	35	26.20	8.79	31.90	11.27	37.10	13.33	37.70	13.32	38.10	13.14	39.10	12.69	40.10	12.17
37	26.20	9.49	31.90	12.17	35.10	12.98	35.60	12.97	36.10	12.78	37.10	12.33	38.10	11.82	
39	26.20	10.25	31.40	12.47	33.10	12.62	33.60	12.61	34.10	12.42	35.10	11.97	36.00	11.46	
43	24.50	10.71	27.40	11.75	29.00	11.90	29.60	11.89	30.10	11.71	31.00	11.26	32.00	10.74	
46	21.50	10.17	24.30	11.21	26.00	11.37	26.60	11.36	27.00	11.17	28.00	10.72	29.00	10.21	
48	19.50	9.82	22.30	10.86	24.00	11.01	24.50	11.00	25.00	10.81	26.00	10.36	27.00	9.85	
54	13.50	8.74	16.30	9.78	17.90	9.94	18.50	9.93	19.00	9.74	20.00	9.29	20.90	8.78	
110	10	24.00	3.42	29.20	4.23	34.40	5.10	37.00	5.59	39.20	6.04	43.60	7.05	48.10	8.22
	12	24.00	3.59	29.20	4.46	34.40	5.40	37.00	5.92	39.20	6.42	43.60	7.52	48.10	8.79
	14	24.00	3.77	29.20	4.71	34.40	5.74	37.00	6.31	39.20	6.85	43.60	8.04	48.10	9.43
	16	24.00	3.99	29.20	5.00	34.40	6.12	37.00	6.73	39.20	7.32	43.60	8.63	48.10	10.14
	18	24.00	4.23	29.20	5.32	34.40	6.54	37.00	7.21	39.20	7.85	43.60	9.27	48.10	10.92
	20	24.00	4.50	29.20	5.69	34.40	7.01	37.00	7.74	39.20	8.44	43.60	9.98	48.10	11.77
	21	24.00	4.65	29.20	5.88	34.40	7.26	37.00	8.02	39.20	8.75	43.60	10.36	48.10	12.23
	23	24.00	4.97	29.20	6.31	34.40	7.81	37.00	8.64	39.20	9.43	43.60	11.18	48.10	13.20
	25	24.00	5.32	29.20	6.78	34.40	8.41	37.00	9.31	39.20	10.17	43.60	12.07	48.10	14.26
	27	24.00	5.72	29.20	7.30	34.40	9.07	37.00	10.04	39.20	10.98	43.60	13.03	47.30	14.64
	29	24.00	6.15	29.20	7.87	34.40	9.79	37.00	10.84	39.20	11.85	43.60	14.08	45.20	14.28
	31	24.00	6.63	29.20	8.49	34.40	10.57	37.00	11.71	39.20	12.80	42.30	13.72	43.20	13.92
	33	24.00	7.15	29.20	9.17	34.40	11.42	37.00	12.65	39.20	13.83	40.30	13.36	41.20	13.57
	35	24.00	7.72	29.20	9.90	34.40	12.33	37.00	13.66	37.40	13.47	38.30	13.00	39.20	13.21
37	24.00	8.34	29.20	10.69	34.40	13.31	35.00	13.30	35.40	13.11	36.30	12.64	37.20	12.85	
39	24.00	9.01	29.20	11.54	32.40	12.95	32.90	12.94	33.40	12.76	34.30	12.29	35.20	12.49	
43	23.50	9.92	26.00	10.83	28.40	12.24	28.90	12.23	29.40	12.04	30.20	11.57	31.10	11.78	
46	20.40	9.39	23.00	10.29	25.40	11.70	25.90	11.69	26.30	11.50	27.20	11.04	28.10	11.24	
48	18.40	9.03	21.00	9.93	23.40	11.34	23.90	11.34	24.30	11.15	25.20	10.68	26.10	10.88	
54	12.40	7.96	15.00	8.86	17.30	10.27	17.80	10.26	18.30	10.07	19.20	9.61	20.00	9.81	

10. Capacity Table

AM120BXMWGH

Cooling

TC : Total Capacity, PI : Power Input

Combination, % (Capacity index)	Outdoor temperature (°C, DB)	Indoor temperature (°C, WB)													
		14		16		18		19		20		22		24	
		TC kW	PI kW	TC kW	PI kW	TC kW	PI kW	TC kW	PI kW	TC kW	PI kW	TC kW	PI kW	TC kW	PI kW
100	10	21.80	3.04	26.50	3.76	31.30	4.53	33.60	4.96	35.60	5.36	39.70	6.24	43.70	7.26
	12	21.80	3.18	26.50	3.95	31.30	4.78	33.60	5.24	35.60	5.68	39.70	6.64	43.70	7.74
	14	21.80	3.34	26.50	4.17	31.30	5.07	33.60	5.56	35.60	6.04	39.70	7.08	43.70	8.28
	16	21.80	3.52	26.50	4.41	31.30	5.39	33.60	5.93	35.60	6.44	39.70	7.58	43.70	8.88
	18	21.80	3.72	26.50	4.69	31.30	5.75	33.60	6.33	35.60	6.89	39.70	8.13	43.70	9.55
	20	21.80	3.95	26.50	5.00	31.30	6.15	33.60	6.79	35.60	7.39	39.70	8.73	43.70	10.28
	21	21.80	4.08	26.50	5.17	31.30	6.37	33.60	7.03	35.60	7.66	39.70	9.06	43.70	10.67
	23	21.80	4.36	26.50	5.53	31.30	6.84	33.60	7.56	35.60	8.25	39.70	9.76	43.70	11.51
	25	21.80	4.66	26.50	5.93	31.30	7.35	33.60	8.13	35.60	8.88	39.70	10.53	43.70	12.42
	27	21.80	5.00	26.50	6.38	31.30	7.92	33.60	8.77	35.60	9.58	39.70	11.37	43.70	13.41
	29	21.80	5.38	26.50	6.87	31.30	8.55	33.60	9.46	35.60	10.34	39.70	12.28	43.70	14.49
	31	21.80	5.79	26.50	7.41	31.30	9.23	33.60	10.22	35.60	11.17	39.70	13.26	42.40	14.13
	33	21.80	6.25	26.50	8.00	31.30	9.96	33.60	11.04	35.60	12.07	39.50	13.60	40.30	13.77
	35	21.80	6.74	26.50	8.64	31.30	10.76	33.60	11.92	35.60	13.03	37.50	13.24	38.30	13.42
	37	21.80	7.28	26.50	9.33	31.30	11.62	33.60	12.87	34.70	13.36	35.50	12.89	36.30	13.06
	39	21.80	7.86	26.50	10.08	31.10	11.89	32.30	12.63	32.70	13.00	33.50	12.53	34.30	12.70
	43	21.80	9.17	24.70	10.52	27.10	11.18	28.20	11.92	28.60	12.29	29.50	11.81	30.30	11.99
	46	19.30	8.63	21.70	9.98	24.00	10.64	25.20	11.38	25.60	11.75	26.40	11.28	27.20	11.45
	48	17.30	8.27	19.70	9.63	22.00	10.28	23.20	11.02	23.60	11.39	24.40	10.92	25.20	11.09
54	11.30	7.20	13.60	8.55	16.00	9.21	17.20	9.95	17.60	10.32	18.40	9.85	19.20	10.02	
90	10	19.70	2.63	23.90	3.25	28.10	3.93	30.20	4.29	32.10	4.64	35.70	5.40	39.30	6.26
	12	19.70	2.74	23.90	3.41	28.10	4.14	30.20	4.52	32.10	4.90	35.70	5.72	39.30	6.65
	14	19.70	2.87	23.90	3.59	28.10	4.37	30.20	4.79	32.10	5.20	35.70	6.08	39.30	7.10
	16	19.70	3.02	23.90	3.79	28.10	4.64	30.20	5.09	32.10	5.53	35.70	6.49	39.30	7.59
	18	19.70	3.19	23.90	4.02	28.10	4.93	30.20	5.42	32.10	5.90	35.70	6.94	39.30	8.14
	20	19.70	3.38	23.90	4.28	28.10	5.26	30.20	5.80	32.10	6.31	35.70	7.45	39.30	8.75
	21	19.70	3.49	23.90	4.42	28.10	5.44	30.20	6.00	32.10	6.54	35.70	7.72	39.30	9.07
	23	19.70	3.72	23.90	4.72	28.10	5.83	30.20	6.44	32.10	7.02	35.70	8.30	39.30	9.78
	25	19.70	3.97	23.90	5.06	28.10	6.27	30.20	6.92	32.10	7.56	35.70	8.95	39.30	10.54
	27	19.70	4.26	23.90	5.43	28.10	6.74	30.20	7.46	32.10	8.14	35.70	9.65	39.30	11.38
	29	19.70	4.57	23.90	5.85	28.10	7.27	30.20	8.04	32.10	8.78	35.70	10.41	39.30	12.29
	31	19.70	4.92	23.90	6.30	28.10	7.84	30.20	8.68	32.10	9.48	35.70	11.25	39.30	13.28
	33	19.70	5.30	23.90	6.80	28.10	8.46	30.20	9.37	32.10	10.24	35.70	12.15	39.30	14.34
	35	19.70	5.72	23.90	7.34	28.10	9.14	30.20	10.12	32.10	11.06	35.70	13.12	37.40	13.98
	37	19.70	6.18	23.90	7.93	28.10	9.87	30.20	10.93	32.10	11.94	34.70	13.45	35.40	13.62
	39	19.70	6.67	23.90	8.56	28.10	10.66	30.20	11.80	31.50	12.23	32.70	13.10	33.40	13.26
	43	19.70	7.78	23.40	9.43	25.50	10.54	26.60	11.08	27.50	11.51	28.70	12.38	29.40	12.55
	46	18.20	7.72	20.40	8.89	22.50	10.00	23.50	10.55	24.40	10.98	25.60	11.84	26.40	12.01
	48	16.20	7.37	18.30	8.53	20.50	9.64	21.50	10.19	22.40	10.62	23.60	11.49	24.30	11.66
54	10.20	6.29	12.30	7.46	14.40	8.57	15.50	9.12	16.40	9.55	17.60	10.41	18.30	10.58	
80	10	17.50	2.25	21.20	2.79	25.00	3.38	26.90	3.69	28.50	3.99	31.70	4.64	34.90	5.37
	12	17.50	2.35	21.20	2.92	25.00	3.55	26.90	3.88	28.50	4.20	31.70	4.90	34.90	5.69
	14	17.50	2.45	21.20	3.07	25.00	3.74	26.90	4.10	28.50	4.44	31.70	5.19	34.90	6.05
	16	17.50	2.58	21.20	3.23	25.00	3.95	26.90	4.34	28.50	4.71	31.70	5.52	34.90	6.45
	18	17.50	2.72	21.20	3.42	25.00	4.19	26.90	4.61	28.50	5.01	31.70	5.89	34.90	6.90
	20	17.50	2.87	21.20	3.63	25.00	4.47	26.90	4.92	28.50	5.35	31.70	6.31	34.90	7.39
	21	17.50	2.96	21.20	3.74	25.00	4.61	26.90	5.08	28.50	5.53	31.70	6.53	34.90	7.66
	23	17.50	3.15	21.20	3.99	25.00	4.94	26.90	5.44	28.50	5.93	31.70	7.01	34.90	8.24
	25	17.50	3.36	21.20	4.27	25.00	5.29	26.90	5.84	28.50	6.37	31.70	7.54	34.90	8.88
	27	17.50	3.59	21.20	4.58	25.00	5.69	26.90	6.28	28.50	6.86	31.70	8.13	34.90	9.58
	29	17.50	3.85	21.20	4.93	25.00	6.12	26.90	6.77	28.50	7.39	31.70	8.77	34.90	10.34
	31	17.50	4.14	21.20	5.30	25.00	6.60	26.90	7.30	28.50	7.98	31.70	9.47	34.90	11.16
	33	17.50	4.46	21.20	5.72	25.00	7.12	26.90	7.88	28.50	8.61	31.70	10.22	34.90	12.06
	35	17.50	4.81	21.20	6.17	25.00	7.69	26.90	8.51	28.50	9.30	31.70	11.04	34.90	13.02
	37	17.50	5.19	21.20	6.66	25.00	8.31	26.90	9.19	28.50	10.04	31.70	11.92	34.60	13.35
	39	17.50	5.61	21.20	7.20	25.00	8.97	26.90	9.92	28.50	10.85	31.30	12.21	32.50	12.99
	43	17.50	6.54	21.20	8.39	23.90	9.33	24.90	10.36	25.70	10.73	27.30	11.49	28.50	12.28
	46	17.20	6.88	19.00	7.85	20.90	8.79	21.90	9.82	22.70	10.19	24.30	10.96	25.50	11.74
	48	15.10	6.53	17.00	7.50	18.90	8.43	19.80	9.46	20.60	9.84	22.30	10.60	23.50	11.38
54	9.10	5.45	11.00	6.42	12.90	7.36	13.80	8.39	14.60	8.76	16.20	9.53	17.40	10.31	

10. Capacity Table

AM120BXMWGH

Cooling

TC : Total Capacity, PI : Power Input

Combination, % (Capacity index)	Outdoor temperature (°C, DB)	Indoor temperature (°C, WB)													
		14		16		18		19		20		22		24	
		TC kW	PI kW	TC kW	PI kW	TC kW	PI kW	TC kW	PI kW	TC kW	PI kW	TC kW	PI kW	TC kW	PI kW
70	10	15.30	1.91	18.60	2.37	21.90	2.87	23.50	3.14	24.90	3.40	27.80	3.96	30.60	4.58
	12	15.30	1.99	18.60	2.47	21.90	3.01	23.50	3.29	24.90	3.57	27.80	4.16	30.60	4.83
	14	15.30	2.07	18.60	2.59	21.90	3.16	23.50	3.47	24.90	3.76	27.80	4.39	30.60	5.11
	16	15.30	2.17	18.60	2.72	21.90	3.33	23.50	3.66	24.90	3.97	27.80	4.66	30.60	5.43
	18	15.30	2.29	18.60	2.87	21.90	3.52	23.50	3.88	24.90	4.22	27.80	4.95	30.60	5.79
	20	15.30	2.41	18.60	3.04	21.90	3.74	23.50	4.15	24.90	4.49	27.80	5.29	30.60	6.19
	21	15.30	2.48	18.60	3.13	21.90	3.86	23.50	4.26	24.90	4.64	27.80	5.47	30.60	6.41
	23	15.30	2.64	18.60	3.34	21.90	4.12	23.50	4.55	24.90	4.96	27.80	5.86	30.60	6.88
	25	15.30	2.81	18.60	3.56	21.90	4.41	23.50	4.88	24.90	5.32	27.80	6.29	30.60	7.39
	27	15.30	3.00	18.60	3.82	21.90	4.74	23.50	5.24	24.90	5.72	27.80	6.77	30.60	7.96
	29	15.30	3.21	18.60	4.10	21.90	5.09	23.50	5.64	24.90	6.16	27.80	7.29	30.60	8.59
	31	15.30	3.45	18.60	4.41	21.90	5.48	23.50	6.07	24.90	6.63	27.80	7.87	30.60	9.27
	33	15.30	3.71	18.60	4.75	21.90	5.91	23.50	6.55	24.90	7.16	27.80	8.49	30.60	10.01
	35	15.30	4.00	18.60	5.12	21.90	6.38	23.50	7.07	24.90	7.73	27.80	9.17	30.60	10.81
	37	15.30	4.32	18.60	5.53	21.90	6.89	23.50	7.64	24.90	8.35	27.80	9.90	30.60	11.67
	39	15.30	4.66	18.60	5.97	21.90	7.44	23.50	8.25	24.90	9.02	27.80	10.69	30.60	12.60
43	15.30	5.44	18.60	6.96	21.90	8.68	23.20	9.07	23.90	9.38	25.30	10.58	26.70	11.89	
46	15.30	6.10	17.70	7.34	19.40	8.14	20.20	8.54	20.90	8.84	22.30	10.04	23.70	11.35	
48	14.00	5.74	15.70	6.98	17.30	7.78	18.20	8.18	18.90	8.48	20.30	9.68	21.70	10.99	
54	8.00	4.67	9.60	5.91	11.30	6.71	12.10	7.11	12.80	7.41	14.20	8.61	15.60	9.92	
60	10	13.10	1.59	15.90	1.98	18.80	2.41	20.20	2.64	21.40	2.85	23.80	3.32	26.20	3.84
	12	13.10	1.65	15.90	2.06	18.80	2.52	20.20	2.76	21.40	2.98	23.80	3.48	26.20	4.04
	14	13.10	1.72	15.90	2.15	18.80	2.64	20.20	2.89	21.40	3.13	23.80	3.66	26.20	4.26
	16	13.10	1.80	15.90	2.26	18.80	2.77	20.20	3.04	21.40	3.30	23.80	3.87	26.20	4.51
	18	13.10	1.89	15.90	2.38	18.80	2.92	20.20	3.21	21.40	3.49	23.80	4.10	26.20	4.79
	20	13.10	1.99	15.90	2.51	18.80	3.10	20.20	3.41	21.40	3.70	23.80	4.36	26.20	5.10
	21	13.10	2.04	15.90	2.59	18.80	3.19	20.20	3.51	21.40	3.82	23.80	4.50	26.20	5.28
	23	13.10	2.16	15.90	2.75	18.80	3.40	20.20	3.75	21.40	4.08	23.80	4.81	26.20	5.65
	25	13.10	2.30	15.90	2.93	18.80	3.63	20.20	4.00	21.40	4.36	23.80	5.16	26.20	6.06
	27	13.10	2.45	15.90	3.13	18.80	3.88	20.20	4.29	21.40	4.68	23.80	5.54	26.20	6.52
	29	13.10	2.63	15.90	3.36	18.80	4.17	20.20	4.61	21.40	5.03	23.80	5.96	26.20	7.02
	31	13.10	2.82	15.90	3.60	18.80	4.48	20.20	4.96	21.40	5.42	23.80	6.42	26.20	7.57
	33	13.10	3.03	15.90	3.88	18.80	4.83	20.20	5.35	21.40	5.84	23.80	6.93	26.20	8.17
	35	13.10	3.26	15.90	4.18	18.80	5.21	20.20	5.77	21.40	6.30	23.80	7.48	26.20	8.82
	37	13.10	3.52	15.90	4.51	18.80	5.63	20.20	6.23	21.40	6.80	23.80	8.08	26.20	9.53
	39	13.10	3.80	15.90	4.87	18.80	6.08	20.20	6.73	21.40	7.35	23.80	8.72	26.20	10.29
43	13.10	4.43	15.90	5.68	18.80	7.09	20.20	7.85	21.40	8.57	23.30	9.61	24.50	10.75	
46	13.10	4.97	15.90	6.37	17.80	7.47	18.50	7.80	19.10	8.03	20.30	9.07	21.50	10.21	
48	13.00	4.98	14.40	6.02	15.80	7.11	16.50	7.44	17.10	7.67	18.30	8.72	19.50	9.85	
54	6.90	3.91	8.30	4.94	9.70	6.04	10.40	6.37	11.00	6.60	12.20	7.64	13.50	8.78	
50	10	10.90	1.29	13.30	1.61	15.60	1.97	16.80	2.15	17.80	2.34	19.80	2.72	21.80	3.16
	12	10.90	1.34	13.30	1.67	15.60	2.05	16.80	2.25	17.80	2.44	19.80	2.84	21.80	3.30
	14	10.90	1.39	13.30	1.75	15.60	2.14	16.80	2.35	17.80	2.55	19.80	2.98	21.80	3.47
	16	10.90	1.45	13.30	1.83	15.60	2.24	16.80	2.46	17.80	2.68	19.80	3.14	21.80	3.66
	18	10.90	1.52	13.30	1.92	15.60	2.36	16.80	2.59	17.80	2.82	19.80	3.31	21.80	3.87
	20	10.90	1.60	13.30	2.02	15.60	2.49	16.80	2.74	17.80	2.99	19.80	3.51	21.80	4.11
	21	10.90	1.64	13.30	2.08	15.60	2.57	16.80	2.82	17.80	3.08	19.80	3.62	21.80	4.24
	23	10.90	1.73	13.30	2.20	15.60	2.72	16.80	3.00	17.80	3.27	19.80	3.86	21.80	4.53
	25	10.90	1.84	13.30	2.34	15.60	2.90	16.80	3.20	17.80	3.49	19.80	4.12	21.80	4.85
	27	10.90	1.96	13.30	2.50	15.60	3.10	16.80	3.42	17.80	3.74	19.80	4.42	21.80	5.20
	29	10.90	2.09	13.30	2.67	15.60	3.32	16.80	3.67	17.80	4.01	19.80	4.75	21.80	5.59
	31	10.90	2.24	13.30	2.87	15.60	3.57	16.80	3.95	17.80	4.31	19.80	5.11	21.80	6.02
	33	10.90	2.41	13.30	3.08	15.60	3.84	16.80	4.25	17.80	4.65	19.80	5.51	21.80	6.50
	35	10.90	2.59	13.30	3.32	15.60	4.14	16.80	4.58	17.80	5.01	19.80	5.94	21.80	7.01
	37	10.90	2.79	13.30	3.58	15.60	4.47	16.80	4.94	17.80	5.41	19.80	6.41	21.80	7.57
	39	10.90	3.01	13.30	3.87	15.60	4.82	16.80	5.34	17.80	5.84	19.80	6.93	21.80	8.18
43	10.90	3.51	13.30	4.51	15.60	5.63	16.80	6.23	17.80	6.81	19.80	8.08	21.80	9.53	
46	10.90	3.94	13.30	5.06	15.60	6.31	16.80	6.98	17.30	7.18	18.30	8.04	19.30	9.00	
48	10.90	4.26	13.00	5.08	14.20	5.96	14.80	6.63	15.30	6.82	16.30	7.68	17.30	8.64	
54	5.80	3.18	7.00	4.01	8.20	4.88	8.80	5.55	9.30	5.75	10.30	6.61	11.30	7.57	

NOTE

- The performance table shows the average value of each conditions.

10. Capacity Table

AM120BXMWGH

Heating

TC : Total Capacity, PI : Power Input

Combination, % (Capacity index)	Outdoor temperature (°C, DB)		Indoor temperature (°C, DB)									
			16		18		20		22		24	
	DB	WB	TC kW	PI kW	TC kW	PI kW	TC kW	PI kW	TC kW	PI kW	TC kW	PI kW
130	-25.0	-25.1	29.10	10.43	28.40	10.92	27.70	11.50	26.90	11.99	26.20	12.77
	-22.0	-22.2	33.10	11.31	32.50	11.79	31.80	12.38	31.00	12.87	30.20	13.65
	-20.0	-20.2	35.80	11.89	35.20	12.38	34.50	12.96	33.70	13.45	31.70	14.04
	-17.0	-17.3	39.90	12.77	39.20	13.26	38.50	13.84	36.30	14.13	33.40	14.33
	-15.0	-15.3	42.60	13.35	41.90	13.84	40.10	14.23	37.40	14.33	34.50	14.52
	-12.0	-12.4	46.60	14.23	44.20	14.33	41.80	14.52	39.10	14.62	36.20	14.82
	-10.0	-10.5	47.70	14.43	45.40	14.52	42.90	14.72	40.20	14.82	37.30	15.01
	-7.0	-7.6	49.40	14.72	47.10	14.82	44.60	15.01	41.90	15.11	39.00	15.30
	-5.0	-5.6	50.50	14.91	48.20	15.01	45.70	15.21	43.00	15.30	39.60	15.40
	-3.0	-3.7	51.60	15.11	49.30	15.21	46.70	15.40	43.40	15.40	40.00	15.40
	0.0	-0.7	53.00	15.40	50.10	15.40	47.30	15.40	43.90	15.40	40.60	15.40
	3.0	2.2	53.50	15.40	50.70	15.40	47.80	15.40	44.50	15.40	41.00	14.48
	5.0	4.1	53.90	15.40	51.00	15.40	48.20	15.40	44.90	15.20	41.00	13.47
	7.0	6.0	54.30	15.40	51.40	15.40	48.60	15.40	44.90	14.15	41.00	12.56
	9.0	7.9	54.60	15.40	51.80	15.40	48.80	14.78	44.90	13.23	41.00	11.77
	11.0	9.8	55.00	15.40	52.20	15.22	48.80	13.84	44.90	12.41	41.00	11.07
	13.0	11.8	55.40	15.40	52.20	14.27	48.80	13.00	44.90	11.69	41.00	10.45
15.0	13.7	55.60	14.66	52.20	13.42	48.80	12.26	44.90	11.04	41.00	9.90	
120	-25.0	-25.1	28.20	11.01	27.60	11.50	27.00	11.99	26.20	12.57	25.50	13.26
	-22.0	-22.2	32.30	11.89	31.60	12.38	31.00	12.87	30.30	13.45	28.70	13.94
	-20.0	-20.2	35.00	12.48	34.30	12.96	33.70	13.45	32.20	14.04	29.80	14.13
	-17.0	-17.3	39.00	13.35	38.40	13.84	36.60	14.13	33.90	14.33	31.50	14.43
	-15.0	-15.3	41.70	13.94	39.80	14.23	37.70	14.33	35.00	14.52	32.60	14.62
	-12.0	-12.4	43.80	14.43	41.50	14.52	39.40	14.62	36.70	14.82	34.30	14.91
	-10.0	-10.5	44.90	14.62	42.60	14.72	40.50	14.82	37.90	15.01	35.40	15.11
	-7.0	-7.6	46.60	14.91	44.30	15.01	42.20	15.11	39.50	15.30	36.90	15.40
	-5.0	-5.6	47.70	15.11	45.40	15.21	43.30	15.30	40.30	15.40	37.20	15.40
	-3.0	-3.7	48.80	15.30	46.30	15.40	43.70	15.40	40.70	15.40	37.60	15.40
	0.0	-0.7	49.60	15.40	46.80	15.40	44.30	15.40	41.20	15.40	37.80	13.75
	3.0	2.2	50.20	15.40	47.40	15.40	44.80	15.40	41.40	13.91	37.80	12.30
	5.0	4.1	50.60	15.40	47.80	15.40	45.00	14.50	41.40	12.93	37.80	11.45
	7.0	6.0	50.90	15.40	48.20	14.89	45.00	13.50	41.40	12.06	37.80	10.70
	9.0	7.9	51.30	15.26	48.20	13.90	45.00	12.62	41.40	11.30	37.80	10.04
	11.0	9.8	51.30	14.27	48.20	13.02	45.00	11.84	41.40	10.62	37.80	9.46
	13.0	11.8	51.30	13.38	48.20	12.23	45.00	11.15	41.40	10.02	37.80	8.95
15.0	13.7	51.30	12.60	48.20	11.54	45.00	10.54	41.40	9.49	37.80	8.50	
110	-25.0	-25.1	27.40	11.70	26.80	11.99	26.20	12.57	25.60	13.06	24.00	13.35
	-22.0	-22.2	31.40	12.57	30.80	12.87	30.30	13.45	29.10	13.94	26.90	14.04
	-20.0	-20.2	34.10	13.16	33.50	13.45	32.30	14.04	30.30	14.13	28.10	14.23
	-17.0	-17.3	38.20	14.04	36.30	14.13	34.00	14.33	32.00	14.43	29.70	14.52
	-15.0	-15.3	39.30	14.23	37.40	14.33	35.10	14.52	33.10	14.62	30.90	14.72
	-12.0	-12.4	41.00	14.52	39.10	14.62	36.80	14.82	34.80	14.91	32.60	15.01
	-10.0	-10.5	42.10	14.72	40.20	14.82	37.90	15.01	35.90	15.11	33.70	15.21
	-7.0	-7.6	43.80	15.01	41.90	15.11	39.60	15.30	37.40	15.40	34.70	15.30
	-5.0	-5.6	44.90	15.21	43.00	15.30	40.30	15.40	37.80	15.40	34.70	14.13
	-3.0	-3.7	45.50	15.40	43.20	15.40	40.70	15.40	38.00	14.80	34.70	13.06
	0.0	-0.7	46.10	15.40	43.80	15.40	41.30	14.84	38.00	13.18	34.70	11.65
	3.0	2.2	46.70	15.40	44.10	14.65	41.30	13.25	38.00	11.79	34.70	10.44
	5.0	4.1	47.00	14.99	44.10	13.61	41.30	12.32	38.00	10.98	34.70	9.74
	7.0	6.0	47.00	13.94	44.10	12.68	41.30	11.49	38.00	10.26	34.70	9.11
	9.0	7.9	47.00	13.02	44.10	11.86	41.30	10.76	38.00	9.63	34.70	8.57
	11.0	9.8	47.00	12.20	44.10	11.14	41.30	10.12	38.00	9.07	34.70	8.09
	13.0	11.8	47.00	11.48	44.10	10.49	41.30	9.55	38.00	8.58	34.70	7.66
15.0	13.7	47.00	10.83	44.10	9.92	41.30	9.05	38.00	8.15	34.70	7.29	
100	-25.0	-25.1	26.50	12.28	26.00	12.77	25.50	13.30	24.00	13.19	22.50	12.21
	-22.0	-22.2	30.60	13.16	30.00	13.65	29.00	13.94	27.00	13.87	24.60	12.69
	-20.0	-20.2	33.30	13.74	31.80	14.04	30.10	14.13	28.10	14.07	25.80	12.89
	-17.0	-17.3	35.40	14.23	33.50	14.33	31.80	14.43	29.80	14.36	27.50	13.18
	-15.0	-15.3	36.50	14.43	34.60	14.52	32.90	14.62	30.90	14.55	28.60	13.38
	-12.0	-12.4	38.20	14.72	36.30	14.82	34.60	14.91	32.60	14.85	30.30	13.67
	-10.0	-10.5	39.30	14.91	37.40	15.01	35.70	15.11	33.80	15.04	31.40	13.86
	-7.0	-7.6	41.00	15.21	39.10	15.30	37.10	15.40	34.50	14.63	31.50	12.88
	-5.0	-5.6	41.80	15.40	39.60	15.40	37.50	15.23	34.50	13.51	31.50	11.90
	-3.0	-3.7	42.20	15.40	39.90	15.40	37.50	14.07	34.50	12.49	31.50	11.01
	0.0	-0.7	42.80	15.29	40.10	13.87	37.50	12.53	34.50	11.14	31.50	9.83
	3.0	2.2	42.80	13.65	40.10	12.40	37.50	11.21	34.50	9.98	31.50	8.83
	5.0	4.1	42.80	12.68	40.10	11.53	37.50	10.44	34.50	9.31	31.50	8.25
	7.0	6.0	42.80	11.82	40.10	10.76	37.50	9.75	34.50	8.71	31.50	7.73
	9.0	7.9	42.80	11.07	40.10	10.09	37.50	9.15	34.50	8.19	31.50	7.28
	11.0	9.8	42.80	10.40	40.10	9.49	37.50	8.62	34.50	7.73	31.50	6.89
	13.0	11.8	42.80	9.80	40.10	8.96	37.50	8.16	34.50	7.33	31.50	6.54
15.0	13.7	42.80	9.28	40.10	8.50	37.50	7.74	34.50	6.97	31.50	6.24	

10. Capacity Table

AM120BXMWGH

Heating

TC : Total Capacity, PI : Power Input

Combination, % (Capacity index)	Outdoor temperature (°C, DB)		Indoor temperature (°C, DB)									
			16		18		20		22		24	
	DB	WB	TC kW	PI kW	TC kW	PI kW	TC kW	PI kW	TC kW	PI kW	TC kW	PI kW
90	-25.0	-25.1	25.70	13.06	24.80	13.35	23.60	12.67	22.20	11.84	20.50	11.59
	-22.0	-22.2	29.60	13.94	27.90	14.04	26.40	13.35	24.30	12.33	22.20	11.88
	-20.0	-20.2	30.70	14.13	29.00	14.23	27.50	13.55	25.40	12.52	23.30	12.08
	-17.0	-17.3	32.40	14.43	30.70	14.52	29.20	13.84	27.10	12.81	25.00	12.37
	-15.0	-15.3	33.50	14.62	31.80	14.72	30.40	14.03	28.20	13.01	26.10	12.57
	-12.0	-12.4	35.20	14.91	33.50	15.01	32.00	14.33	29.90	13.30	27.80	12.86
	-10.0	-10.5	36.30	15.11	34.60	15.21	33.20	14.52	31.00	13.50	28.40	12.44
	-7.0	-7.6	37.90	15.40	35.90	15.40	33.80	14.13	31.10	12.54	28.40	11.03
	-5.0	-5.6	38.30	15.40	36.10	14.48	33.80	13.05	31.10	11.59	28.40	10.20
	-3.0	-3.7	38.50	14.78	36.10	13.38	33.80	12.07	31.10	10.72	28.40	9.45
	0.0	-0.7	38.50	13.15	36.10	11.93	33.80	10.77	31.10	9.58	28.40	8.45
	3.0	2.2	38.50	11.76	36.10	10.68	33.80	9.66	31.10	8.61	28.40	7.61
	5.0	4.1	38.50	10.96	36.10	9.96	33.80	9.02	31.10	8.04	28.40	7.12
	7.0	6.0	38.50	10.23	36.10	9.31	33.80	8.44	31.10	7.54	28.40	6.69
	9.0	7.9	38.50	9.60	36.10	8.75	33.80	7.94	31.10	7.11	28.40	6.32
	11.0	9.8	38.50	9.04	36.10	8.25	33.80	7.50	31.10	6.72	28.40	5.99
	13.0	11.8	38.50	8.55	36.10	7.81	33.80	7.12	31.10	6.39	28.40	5.70
15.0	13.7	38.50	8.11	36.10	7.43	33.80	6.78	31.10	6.09	28.40	5.45	
80	-25.0	-25.1	23.80	13.25	22.80	12.67	21.70	11.85	19.90	11.10	18.00	10.15
	-22.0	-22.2	26.80	13.93	25.10	13.15	23.50	12.34	21.60	11.39	19.70	10.44
	-20.0	-20.2	27.90	14.13	26.20	13.35	24.60	12.53	22.70	11.59	20.80	10.64
	-17.0	-17.3	29.60	14.42	27.90	13.64	26.30	12.82	24.40	11.88	22.50	10.93
	-15.0	-15.3	30.70	14.62	29.10	13.84	27.40	13.02	25.50	12.08	23.60	11.12
	-12.0	-12.4	32.40	14.91	30.70	14.13	29.10	13.31	27.20	12.37	25.20	11.42
	-10.0	-10.5	33.50	15.10	31.90	14.32	30.00	13.51	27.60	11.97	25.20	10.53
	-7.0	-7.6	34.20	14.69	32.10	13.30	30.00	11.97	27.60	10.62	25.20	9.34
	-5.0	-5.6	34.20	13.57	32.10	12.29	30.00	11.06	27.60	9.82	25.20	8.65
	-3.0	-3.7	34.20	12.54	32.10	11.37	30.00	10.24	27.60	9.10	25.20	8.02
	0.0	-0.7	34.20	11.19	32.10	10.15	30.00	9.15	27.60	8.14	25.20	7.19
	3.0	2.2	34.20	10.03	32.10	9.11	30.00	8.23	27.60	7.33	25.20	6.49
	5.0	4.1	34.20	9.36	32.10	8.51	30.00	7.70	27.60	6.87	25.20	6.08
	7.0	6.0	34.20	8.76	32.10	7.97	30.00	7.22	27.60	6.45	25.20	5.72
	9.0	7.9	34.20	8.24	32.10	7.51	30.00	6.81	27.60	6.09	25.20	5.41
	11.0	9.8	34.20	7.78	32.10	7.10	30.00	6.45	27.60	5.78	25.20	5.14
	13.0	11.8	34.20	7.38	32.10	6.74	30.00	6.13	27.60	5.50	25.20	4.90
15.0	13.7	34.20	7.02	32.10	6.42	30.00	5.85	27.60	5.26	25.20	4.70	
70	-25.0	-25.1	21.70	12.17	20.30	11.65	18.80	10.36	17.20	9.54	15.50	8.75
	-22.0	-22.2	23.40	12.65	22.00	11.94	20.50	10.65	18.90	9.83	17.20	9.05
	-20.0	-20.2	24.50	12.85	23.10	12.14	21.70	10.84	20.00	10.03	18.40	9.24
	-17.0	-17.3	26.20	13.14	24.80	12.43	23.30	11.14	21.70	10.32	20.00	9.53
	-15.0	-15.3	27.40	13.34	25.90	12.62	24.50	11.33	22.80	10.52	21.20	9.73
	-12.0	-12.4	29.00	13.63	27.60	12.92	26.20	11.62	24.20	10.81	22.10	9.53
	-10.0	-10.5	29.90	13.82	28.10	12.50	26.30	11.26	24.20	9.97	22.10	8.79
	-7.0	-7.6	29.90	12.25	28.10	11.08	26.30	9.99	24.20	8.85	22.10	7.81
	-5.0	-5.6	29.90	11.32	28.10	10.25	26.30	9.24	24.20	8.20	22.10	7.24
	-3.0	-3.7	29.90	10.48	28.10	9.49	26.30	8.56	24.20	7.60	22.10	6.72
	0.0	-0.7	29.90	9.37	28.10	8.49	26.30	7.67	24.20	6.82	22.10	6.03
	3.0	2.2	29.90	8.43	28.10	7.65	26.30	6.91	24.20	6.16	22.10	5.46
	5.0	4.1	29.90	7.88	28.10	7.16	26.30	6.48	24.20	5.78	22.10	5.12
	7.0	6.0	29.90	7.39	28.10	6.72	26.30	6.09	24.20	5.44	22.10	4.83
	9.0	7.9	29.90	6.97	28.10	6.35	26.30	5.76	24.20	5.15	22.10	4.58
	11.0	9.8	29.90	6.60	28.10	6.02	26.30	5.47	24.20	4.90	22.10	4.36
	13.0	11.8	29.90	6.28	28.10	5.73	26.30	5.21	24.20	4.68	22.10	4.17
15.0	13.7	29.90	5.99	28.10	5.47	26.30	4.99	24.20	4.48	22.10	4.00	
60	-25.0	-25.1	18.40	10.97	17.10	9.78	15.90	9.21	14.50	8.03	13.10	7.38
	-22.0	-22.2	20.10	11.27	18.80	10.07	17.60	9.50	16.20	8.32	14.80	7.67
	-20.0	-20.2	21.20	11.46	19.90	10.27	18.70	9.70	17.30	8.52	15.90	7.87
	-17.0	-17.3	22.90	11.75	21.60	10.56	20.40	9.99	19.00	8.81	17.60	8.16
	-15.0	-15.3	24.00	11.95	22.80	10.75	21.50	10.19	20.10	9.01	18.70	8.36
	-12.0	-12.4	25.70	12.24	24.10	11.05	22.50	9.97	20.70	8.84	18.90	7.80
	-10.0	-10.5	25.70	11.29	24.10	10.19	22.50	9.20	20.70	8.16	18.90	7.20
	-7.0	-7.6	25.70	10.02	24.10	9.05	22.50	8.17	20.70	7.25	18.90	6.40
	-5.0	-5.6	25.70	9.27	24.10	8.38	22.50	7.57	20.70	6.72	18.90	5.94
	-3.0	-3.7	25.70	8.59	24.10	7.77	22.50	7.02	20.70	6.24	18.90	5.52
	0.0	-0.7	25.70	7.70	24.10	6.97	22.50	6.30	20.70	5.61	18.90	4.97
	3.0	2.2	25.70	6.94	24.10	6.30	22.50	5.70	20.70	5.08	18.90	4.50
	5.0	4.1	25.70	6.51	24.10	5.91	22.50	5.35	20.70	4.77	18.90	4.24
	7.0	6.0	25.70	6.12	24.10	5.56	22.50	5.04	20.70	4.50	18.90	4.00
	9.0	7.9	25.70	5.79	24.10	5.26	22.50	4.78	20.70	4.27	18.90	3.80
	11.0	9.8	25.70	5.50	24.10	5.01	22.50	4.54	20.70	4.07	18.90	3.63
	13.0	11.8	25.70	5.24	24.10	4.78	22.50	4.34	20.70	3.89	18.90	3.47
15.0	13.7	25.70	5.02	24.10	4.58	22.50	4.17	20.70	3.74	18.90	3.34	

10. Capacity Table

AM120BXMWGH

Heating

TC : Total Capacity, PI : Power Input

Combination, % (Capacity index)	Outdoor temperature (°C, DB)		Indoor temperature (°C, DB)									
			16		18		20		22		24	
	DB	WB	TC	PI	TC	PI	TC	PI	TC	PI	TC	PI
50	-25.0	-25.1	15.00	8.94	14.00	8.44	13.00	7.49	11.80	6.95	10.60	6.02
	-22.0	-22.2	16.70	9.23	15.70	8.74	14.60	7.78	13.50	7.24	12.30	6.31
	-20.0	-20.2	17.80	9.42	16.80	8.93	15.80	7.97	14.60	7.44	13.40	6.51
	-17.0	-17.3	19.50	9.72	18.50	9.22	17.50	8.27	16.30	7.73	15.10	6.80
	-15.0	-15.3	20.60	9.91	19.60	9.42	18.60	8.46	17.30	7.93	15.80	6.99
	-12.0	-12.4	21.40	9.70	20.10	8.78	18.80	7.89	17.30	7.02	15.80	6.20
	-10.0	-10.5	21.40	8.95	20.10	8.10	18.80	7.29	17.30	6.49	15.80	5.72
	-7.0	-7.6	21.40	7.96	20.10	7.20	18.80	6.49	17.30	5.77	15.80	5.10
	-5.0	-5.6	21.40	7.37	20.10	6.68	18.80	6.01	17.30	5.36	15.80	4.73
	-3.0	-3.7	21.40	6.84	20.10	6.20	18.80	5.59	17.30	4.98	15.80	4.40
	0.0	-0.7	21.40	6.15	20.10	5.58	18.80	5.03	17.30	4.49	15.80	3.97
	3.0	2.2	21.40	5.57	20.10	5.05	18.80	4.57	17.30	4.08	15.80	3.61
	5.0	4.1	21.40	5.23	20.10	4.75	18.80	4.30	17.30	3.84	15.80	3.40
	7.0	6.0	21.40	4.93	20.10	4.48	18.80	4.06	17.30	3.63	15.80	3.22
	9.0	7.9	21.40	4.68	20.10	4.25	18.80	3.86	17.30	3.45	15.80	3.07
	11.0	9.8	21.40	4.45	20.10	4.05	18.80	3.68	17.30	3.30	15.80	2.93
13.0	11.8	21.40	4.26	20.10	3.88	18.80	3.53	17.30	3.16	15.80	2.81	
15.0	13.7	21.40	4.09	20.10	3.73	18.80	3.39	17.30	3.05	15.80	2.71	


NOTE

- The performance table shows the average value of each conditions.

11. Capacity Correction


AM040BXMDEH/EU, AM050BXMDEH/EU

Cooling



Level Difference (m)		Pipe Length (m)				
		10	20	30	40	50
Level Difference (m)	15	-	0.98	0.96	0.95	0.93
	10	1.00	0.98	0.96	0.95	0.93
	0	1.00	0.98	0.96	0.95	0.93
	-10	1.00	0.98	0.96	0.94	0.93
	-15	-	0.98	0.96	0.94	0.92


Heating



Level Difference (m)		Pipe Length (m)					
		7.5	10	20	30	40	50
Level Difference (m)	15	-	-	0.99	0.99	0.98	0.98
	10	-	1.00	0.99	0.99	0.98	0.98
	0	1.00	1.00	0.99	0.99	0.98	0.98
	-10	-	1.00	0.99	0.99	0.98	0.98
	-15	-	-	0.99	0.99	0.98	0.98


AM080BXMMDGH/EU, AM080BXMWGH/EU

Cooling



Level Difference (m)		Pipe Length (m)													
		8	10	20	30	40	50	60	70	80	90	100	110	120	130
Level Difference (m)	30	-	-	-	0.96	0.95	0.94	0.92	0.91	0.90	0.90	0.89	0.87	0.86	0.85
	20	-	-	0.98	0.97	0.95	0.94	0.92	0.91	0.90	0.90	0.89	0.88	0.87	0.85
	10	-	0.99	0.98	0.97	0.95	0.94	0.93	0.91	0.90	0.90	0.89	0.88	0.87	0.86
	0	1.00	1.00	0.98	0.97	0.96	0.94	0.93	0.92	0.90	0.90	0.89	0.88	0.87	0.86
	-10	-	1.00	0.98	0.97	0.96	0.94	0.93	0.92	0.90	0.91	0.89	0.88	0.87	0.86
	-20	-	-	0.99	0.97	0.96	0.95	0.93	0.92	0.91	0.91	0.90	0.88	0.87	0.86
-30	-	-	-	0.98	0.96	0.95	0.93	0.92	0.91	0.91	0.90	0.89	0.88	0.86	

Heating



Level Difference (m)		Pipe Length (m)													
		8	10	20	30	40	50	60	70	80	90	100	110	120	130
Level Difference (m)	30	-	-	-	0.98	0.97	0.97	0.96	0.95	0.95	0.95	0.94	0.94	0.93	0.93
	20	-	-	0.99	0.98	0.97	0.97	0.96	0.95	0.95	0.95	0.94	0.94	0.93	0.93
	10	-	0.99	0.99	0.98	0.97	0.97	0.96	0.95	0.95	0.95	0.94	0.94	0.93	0.93
	0	1.00	0.99	0.99	0.98	0.97	0.97	0.96	0.95	0.95	0.95	0.94	0.94	0.93	0.93
	-10	-	0.99	0.99	0.98	0.97	0.97	0.96	0.95	0.95	0.95	0.94	0.94	0.93	0.93
	-20	-	-	0.99	0.98	0.97	0.97	0.96	0.95	0.95	0.95	0.94	0.94	0.93	0.93
-30	-	-	-	0.98	0.97	0.97	0.96	0.95	0.95	0.95	0.94	0.94	0.93	0.93	

11. Capacity Correction

AM100BXMWGH/EU

Cooling

Level Difference (m)	Pipe Length (m)																
	8	10	20	30	40	50	60	70	80	90	100	110	120	130	140	150	160
50	-	-	-	-	-	0.94	0.93	0.92	0.92	0.92	0.91	0.90	0.89	0.88	0.88	0.87	0.86
40	-	-	-	-	0.95	0.95	0.94	0.93	0.92	0.92	0.91	0.90	0.89	0.89	0.88	0.87	0.86
30	-	-	-	0.97	0.96	0.95	0.94	0.93	0.92	0.92	0.91	0.91	0.90	0.89	0.88	0.87	0.86
20	-	-	0.98	0.97	0.96	0.95	0.94	0.93	0.92	0.92	0.92	0.91	0.90	0.89	0.88	0.87	0.87
10	-	0.99	0.98	0.97	0.96	0.95	0.94	0.93	0.92	0.93	0.92	0.91	0.90	0.89	0.88	0.88	0.87
0	0.99	0.99	0.98	0.97	0.96	0.95	0.94	0.93	0.93	0.93	0.92	0.91	0.90	0.89	0.89	0.88	0.87
-10	-	0.99	0.98	0.97	0.96	0.96	0.95	0.94	0.93	0.93	0.92	0.91	0.90	0.90	0.89	0.88	0.87
-20	-	-	0.99	0.98	0.97	0.96	0.95	0.94	0.93	0.93	0.92	0.91	0.91	0.90	0.89	0.88	0.87
-30	-	-	-	0.98	0.97	0.96	0.95	0.94	0.93	0.93	0.92	0.92	0.91	0.90	0.89	0.88	0.88
-40	-	-	-	-	0.97	0.96	0.95	0.94	0.93	0.94	0.93	0.92	0.91	0.90	0.89	0.89	0.88

Heating

Level Difference (m)	Pipe Length (m)																
	8	10	20	30	40	50	60	70	80	90	100	110	120	130	140	150	160
50	-	-	-	-	-	0.98	0.97	0.97	0.96	0.97	0.96	0.96	0.95	0.95	0.95	0.94	0.94
40	-	-	-	-	0.98	0.98	0.97	0.97	0.96	0.97	0.96	0.96	0.95	0.95	0.95	0.94	0.94
30	-	-	-	0.99	0.98	0.98	0.97	0.97	0.96	0.97	0.96	0.96	0.95	0.95	0.95	0.94	0.94
20	-	-	0.99	0.99	0.98	0.98	0.97	0.97	0.96	0.97	0.96	0.96	0.95	0.95	0.95	0.94	0.94
10	-	1.00	0.99	0.99	0.98	0.98	0.97	0.97	0.96	0.97	0.96	0.96	0.95	0.95	0.95	0.94	0.94
0	1.00	1.00	0.99	0.99	0.98	0.98	0.97	0.97	0.96	0.97	0.96	0.96	0.95	0.95	0.95	0.94	0.94
-10	-	1.00	0.99	0.99	0.98	0.98	0.97	0.97	0.96	0.97	0.96	0.96	0.95	0.95	0.95	0.94	0.94
-20	-	-	0.99	0.99	0.98	0.98	0.97	0.97	0.96	0.97	0.96	0.96	0.95	0.95	0.95	0.94	0.94
-30	-	-	-	0.99	0.98	0.98	0.97	0.97	0.96	0.97	0.96	0.96	0.95	0.95	0.95	0.94	0.94
-40	-	-	-	-	0.98	0.98	0.97	0.97	0.96	0.97	0.96	0.96	0.95	0.95	0.95	0.94	0.94

AM120BXMWGH/EU

Cooling

Level Difference (m)	Pipe Length (m)																
	8	10	20	30	40	50	60	70	80	90	100	110	120	130	140	150	160
50	-	-	-	-	-	0.96	0.95	0.94	0.94	0.93	0.92	0.92	0.91	0.90	0.90	0.89	0.88
40	-	-	-	-	0.97	0.96	0.95	0.95	0.94	0.93	0.93	0.92	0.91	0.91	0.90	0.89	0.89
30	-	-	-	0.97	0.97	0.96	0.95	0.95	0.94	0.93	0.93	0.92	0.92	0.91	0.90	0.90	0.89
20	-	-	0.98	0.98	0.97	0.96	0.96	0.95	0.94	0.94	0.93	0.92	0.92	0.91	0.90	0.90	0.89
10	-	0.99	0.98	0.98	0.97	0.97	0.96	0.95	0.95	0.94	0.93	0.93	0.92	0.91	0.91	0.90	0.89
0	1.00	0.99	0.99	0.98	0.97	0.97	0.96	0.95	0.95	0.94	0.93	0.93	0.92	0.91	0.91	0.90	0.89
-10	-	1.00	0.99	0.98	0.98	0.97	0.96	0.96	0.95	0.94	0.94	0.93	0.92	0.92	0.91	0.90	0.90
-20	-	-	0.99	0.98	0.98	0.97	0.96	0.96	0.95	0.94	0.94	0.93	0.93	0.92	0.91	0.91	0.90
-30	-	-	-	0.99	0.98	0.97	0.97	0.96	0.95	0.95	0.94	0.93	0.93	0.92	0.91	0.91	0.90
-40	-	-	-	-	0.98	0.97	0.97	0.96	0.96	0.95	0.94	0.94	0.93	0.92	0.92	0.91	0.90

Heating

Level Difference (m)	Pipe Length (m)																
	8	10	20	30	40	50	60	70	80	90	100	110	120	130	140	150	160
50	-	-	-	-	-	0.98	0.98	0.98	0.97	0.97	0.97	0.97	0.96	0.96	0.96	0.95	0.95
40	-	-	-	-	0.99	0.98	0.98	0.98	0.97	0.97	0.97	0.97	0.96	0.96	0.96	0.95	0.95
30	-	-	-	0.99	0.99	0.98	0.98	0.98	0.97	0.97	0.97	0.97	0.96	0.96	0.96	0.95	0.95
20	-	-	0.99	0.99	0.99	0.98	0.98	0.98	0.97	0.97	0.97	0.97	0.96	0.96	0.96	0.95	0.95
10	-	1.00	0.99	0.99	0.99	0.98	0.98	0.98	0.97	0.97	0.97	0.97	0.96	0.96	0.96	0.95	0.95
0	1.00	1.00	0.99	0.99	0.99	0.98	0.98	0.98	0.97	0.97	0.97	0.97	0.96	0.96	0.96	0.95	0.95
-10	-	1.00	0.99	0.99	0.99	0.98	0.98	0.98	0.97	0.97	0.97	0.97	0.96	0.96	0.96	0.95	0.95
-20	-	-	0.99	0.99	0.99	0.98	0.98	0.98	0.97	0.97	0.97	0.97	0.96	0.96	0.96	0.95	0.95
-30	-	-	-	0.99	0.99	0.98	0.98	0.98	0.97	0.97	0.97	0.97	0.96	0.96	0.96	0.95	0.95
-40	-	-	-	-	0.99	0.98	0.98	0.98	0.97	0.97	0.97	0.97	0.96	0.96	0.96	0.95	0.95

2023. 11
Ver.1.2

Samsung Electronics Co., LTD.

Head Office (Suwon Korea) 129, Samsung-Ro, Yeongtong-Gu, Suwon City, Gyeonggi-Do, Korea 16677
Website : www.samsung.com, <https://partnerhub.samsung.com> Email : airconditioner@samsung.com
Images and data in this book may subject to change without prior notice.